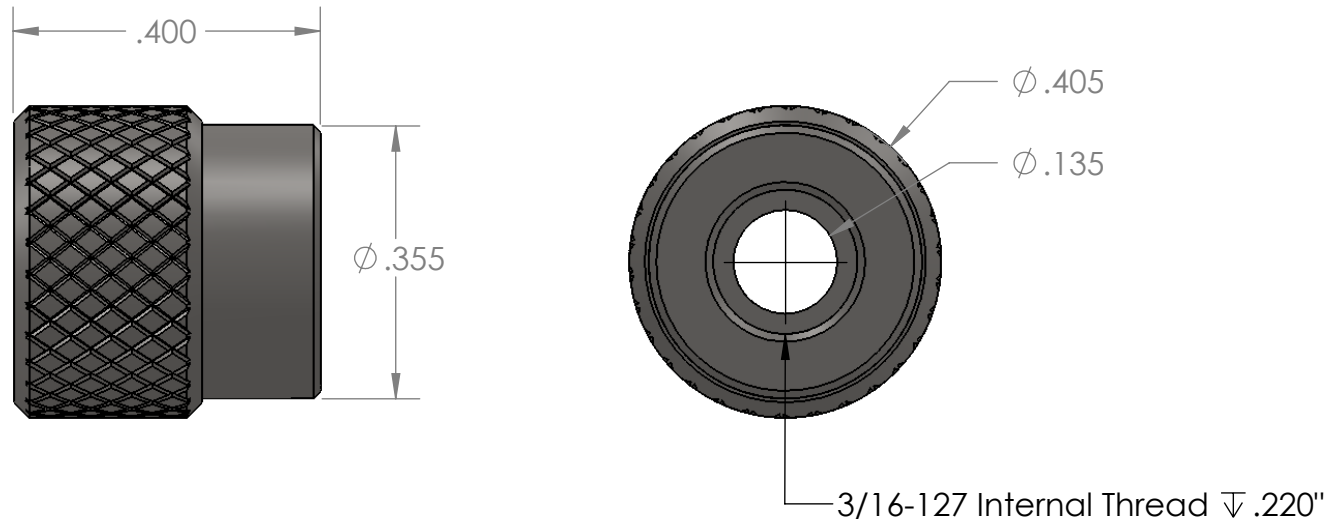




Scale: 2:1



**PROPRIETARY AND CONFIDENTIAL**  
 THE INFORMATION CONTAINED IN THIS DRAWING IS THE SOLE PROPERTY OF KOZAK MICRO ADJUSTERS. ANY REPRODUCTION IN PART OR AS A WHOLE WITHOUT THE WRITTEN PERMISSION OF KOZAK MICRO ADJUSTERS IS PROHIBITED.

|             |         |   |  |           |      |                       |  |           |              |
|-------------|---------|---|--|-----------|------|-----------------------|--|-----------|--------------|
|             |         | UNLESS OTHERWISE SPECIFIED:   |  | NAME      | DATE | Kozak Micro Adjusters |  |           |              |
|             |         | DIMENSIONS ARE IN INCHES<br>TOLERANCES:<br>FRACTIONAL ±1/64<br>ANGULAR: MACH ±    BEND ±<br>TWO PLACE DECIMAL    ±.01<br>THREE PLACE DECIMAL    ±.005 |  | DRAWN     | D.K. |                       |  | 10.09.12  |              |
|             |         | INTERPRET GEOMETRIC TOLERANCING PER:  |  | CHECKED   | D.K. | 10.24.12              | TITLE:<br><br>3/16-127 Adjustment Knob |           |              |
|             |         | MATERIAL<br>303 Stainless Steel   |  | ENG APPR. | D.K. | 10.26.12              |  |           |              |
|             |         | FINISH  |  | MFG APPR. | G.K. | 11.12.12              |  |           |              |
| NEXT ASSY   | USED ON |   |  | Q.A.      |      |                       | SIZE                                   | DWG. NO.  | REV          |
| APPLICATION |         | DO NOT SCALE DRAWING  |  | COMMENTS: |      |                       | <b>A</b>                               | KB187-127 | <b>A</b>     |
|             |         |   |  |           |      |                       | SCALE: 4:1                             | WEIGHT:   | SHEET 1 OF 1 |

5

4

3

2

1