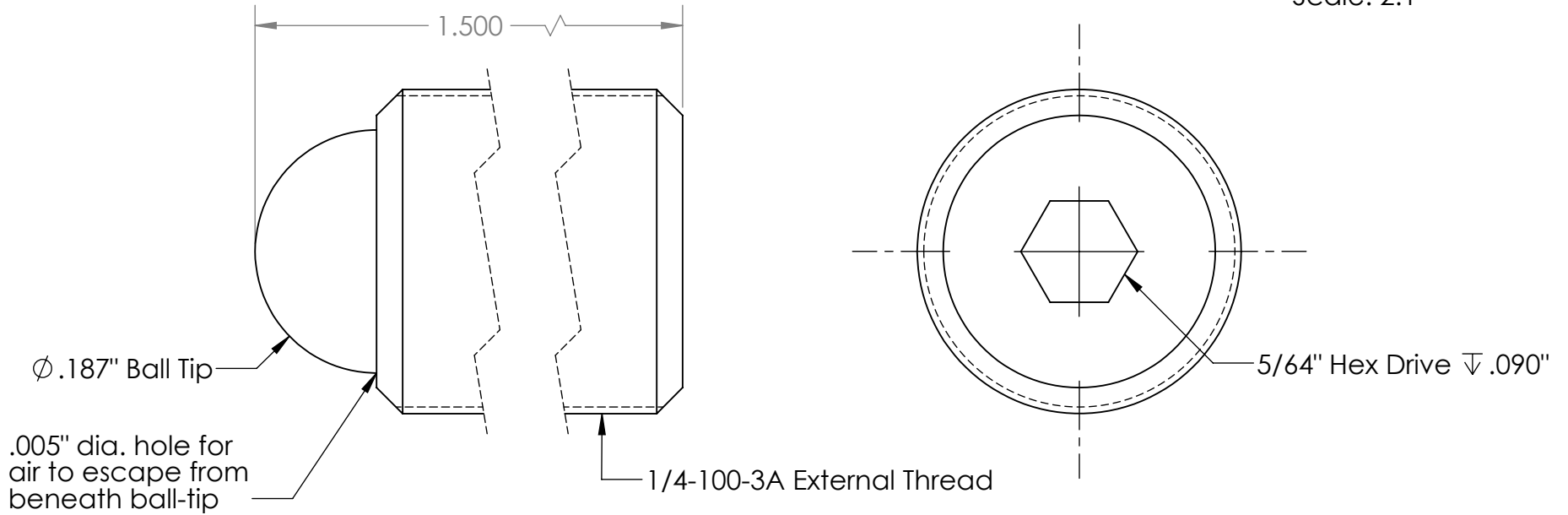


Scale: 2:1



PROPRIETARY AND CONFIDENTIAL
 THE INFORMATION CONTAINED IN THIS DRAWING IS THE SOLE PROPERTY OF KOZAK MICRO ADJUSTERS. ANY REPRODUCTION IN PART OR AS A WHOLE WITHOUT THE WRITTEN PERMISSION OF KOZAK MICRO ADJUSTERS IS PROHIBITED.

		UNLESS OTHERWISE SPECIFIED:	NAME	DATE	Kozak Micro Adjusters			
		DIMENSIONS ARE IN INCHES	DRAWN	D.K.			10.09.12	
		TOLERANCES:	CHECKED	D.K.			10.24.12	
		FRACTIONAL ±1/64	ENG APPR.	D.K.			10.26.12	
		ANGULAR: MACH ±	MFG APPR.	G.K.	11.12.12	TITLE: 1/4-100 x 1.500" Adj. Screw		
		BEND ±	Q.A.					
		TWO PLACE DECIMAL ±.01	COMMENTS:					
		THREE PLACE DECIMAL ±.005				SIZE	DWG. NO.	REV
NEXT ASSY	USED ON	INTERPRET GEOMETRIC TOLERANCING PER:				A	TS250-100-1500-AA-HV	A
APPLICATION		MATERIAL				SCALE: 8:1	WEIGHT:	SHEET 1 OF 1
		304 Stainless Steel						
		FINISH						
		DO NOT SCALE DRAWING						

5

4

3

2

1