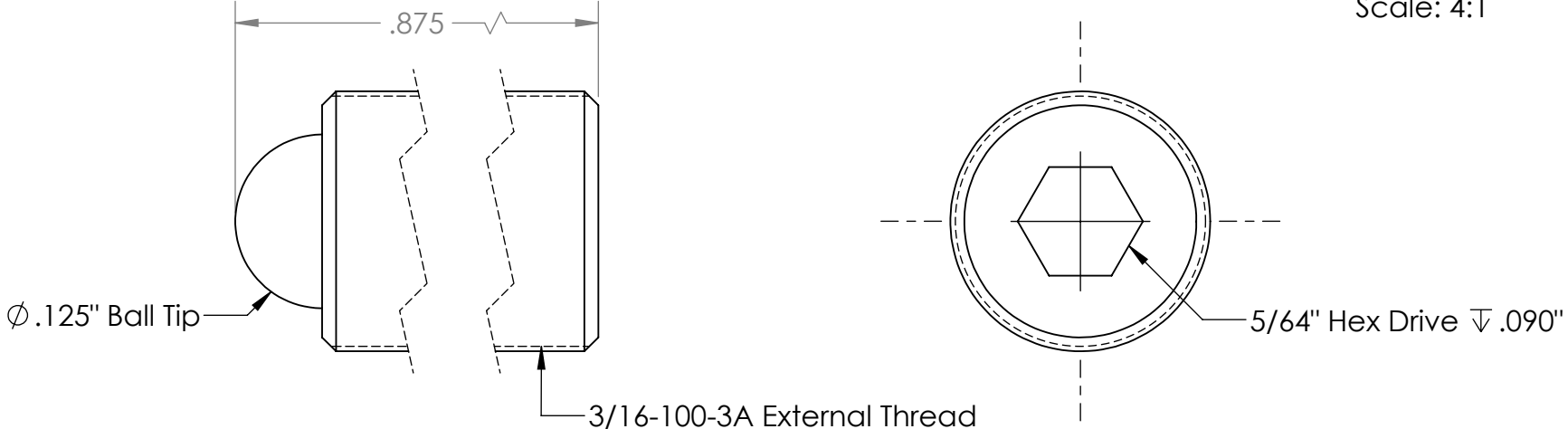


Scale: 4:1



PROPRIETARY AND CONFIDENTIAL
 THE INFORMATION CONTAINED IN THIS DRAWING IS THE SOLE PROPERTY OF KOZAK MICRO ADJUSTERS. ANY REPRODUCTION IN PART OR AS A WHOLE WITHOUT THE WRITTEN PERMISSION OF KOZAK MICRO ADJUSTERS IS PROHIBITED.

		UNLESS OTHERWISE SPECIFIED:			NAME		DATE		Kozak Micro Adjusters		
		DIMENSIONS ARE IN INCHES TOLERANCES: FRACTIONAL $\pm 1/64$ ANGULAR: MACH \pm BEND \pm TWO PLACE DECIMAL $\pm .01$ THREE PLACE DECIMAL $\pm .005$			DRAWN	D.K.	10.09.12	TITLE: 3/16-100 x 0.875" Adj. Screw			
		INTERPRET GEOMETRIC TOLERANCING PER:			CHECKED	D.K.	10.24.12				SIZE DWG. NO. REV A TS187-100-875 A
		MATERIAL 303 Stainless Steel			ENG APPR.	D.K.	10.26.12	SCALE: 8:1 WEIGHT: SHEET 1 OF 1			
		FINISH			MFG APPR.	G.K.	11.12.12				COMMENTS:
NEXT ASSY	USED ON				Q.A.						
APPLICATION		DO NOT SCALE DRAWING									

5

4

3

2

1