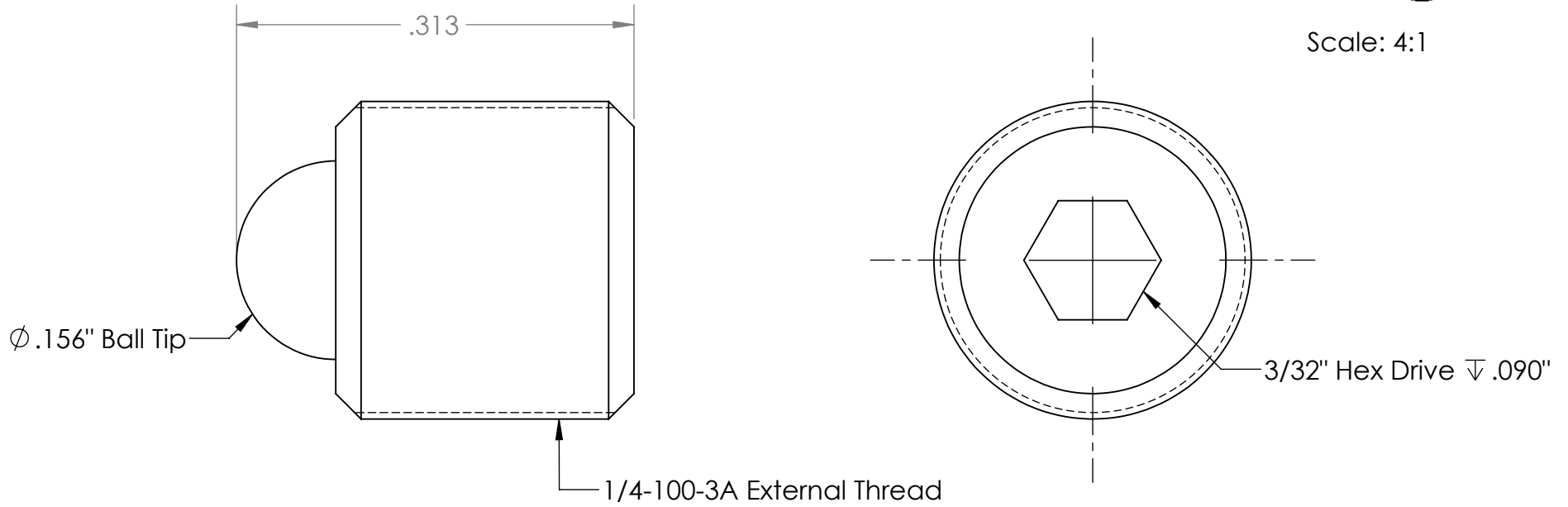


Scale: 4:1



**PROPRIETARY AND CONFIDENTIAL**  
 THE INFORMATION CONTAINED IN THIS DRAWING IS THE SOLE PROPERTY OF KOZAK MICRO ADJUSTERS. ANY REPRODUCTION IN PART OR AS A WHOLE WITHOUT THE WRITTEN PERMISSION OF KOZAK MICRO ADJUSTERS IS PROHIBITED.

		UNLESS OTHERWISE SPECIFIED:		NAME	DATE	<b>Kozak Micro Adjusters</b>  <b>TITLE:</b> <b>1/4-100 x 0.313" Adj. Screw</b>		
		DIMENSIONS ARE IN INCHES		DRAWN	D.K.			10.09.12
		TOLERANCES:		CHECKED	D.K.			10.24.12
		FRACTIONAL $\pm 1/64$		ENG APPR.	D.K.			10.26.12
		ANGULAR: MACH $\pm$ BEND $\pm$		MFG APPR.	G.K.			11.12.12
		TWO PLACE DECIMAL $\pm .01$		Q.A.				
		THREE PLACE DECIMAL $\pm .005$		COMMENTS:				
		INTERPRET GEOMETRIC TOLERANCING PER:						
		MATERIAL				SIZE	DWG. NO.	REV
		303 Stainless Steel				<b>A</b>	TS250-100-313	<b>A</b>
NEXT ASSY		USED ON				SCALE: 8:1	WEIGHT:	SHEET 1 OF 1
APPLICATION		DO NOT SCALE DRAWING						

5

4

3

2

1