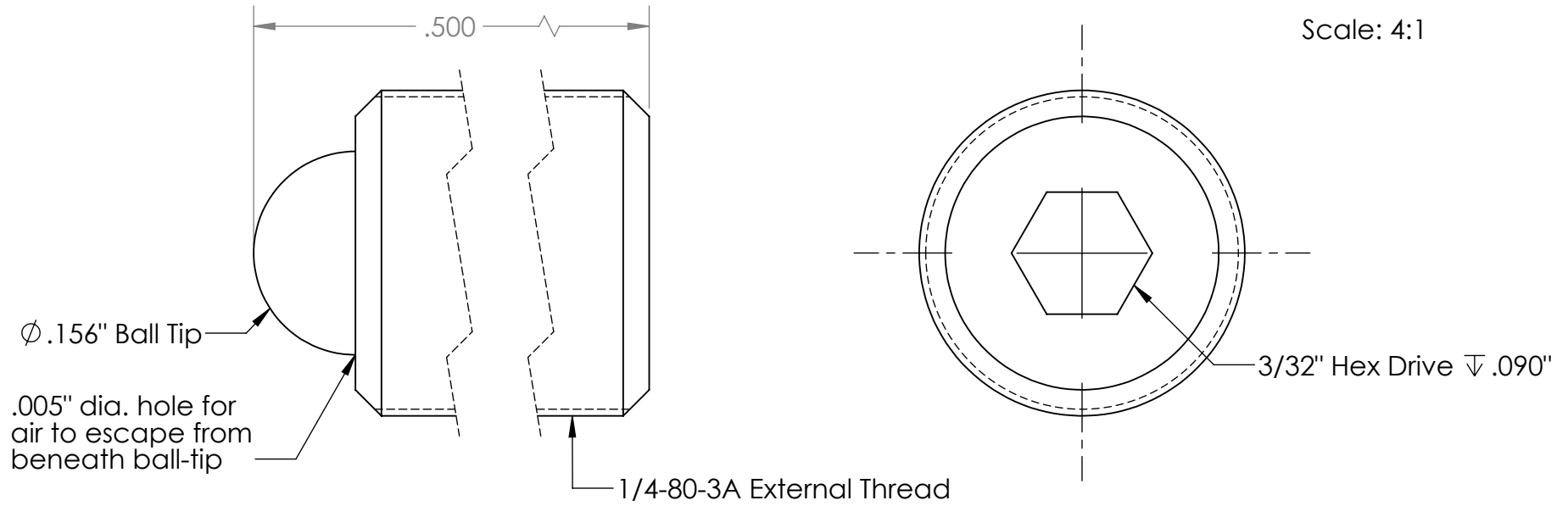


Scale: 4:1



PROPRIETARY AND CONFIDENTIAL
 THE INFORMATION CONTAINED IN THIS DRAWING IS THE SOLE PROPERTY OF KOZAK MICRO ADJUSTERS. ANY REPRODUCTION IN PART OR AS A WHOLE WITHOUT THE WRITTEN PERMISSION OF KOZAK MICRO ADJUSTERS IS PROHIBITED.

		UNLESS OTHERWISE SPECIFIED:		NAME	DATE	Kozak Micro Adjusters		
		DIMENSIONS ARE IN INCHES TOLERANCES: FRACTIONAL $\pm 1/64$ ANGULAR: MACH \pm BEND \pm TWO PLACE DECIMAL $\pm .01$ THREE PLACE DECIMAL $\pm .005$	DRAWN	D.K.	10.09.12			TITLE: 1/4-80 x 0.500" Adj. Screw
		INTERPRET GEOMETRIC TOLERANCING PER:	CHECKED	D.K.	10.24.12			
		MATERIAL 304 Stainless Steel	ENG APPR.	D.K.	10.26.12			
		FINISH	MFG APPR.	G.K.	11.12.12			
NEXT ASSY	USED ON		Q.A.			SIZE DWG. NO. REV		
APPLICATION		DO NOT SCALE DRAWING	COMMENTS:			A TS250-80-500-HV A		
						SCALE: 8:1	WEIGHT:	SHEET 1 OF 1