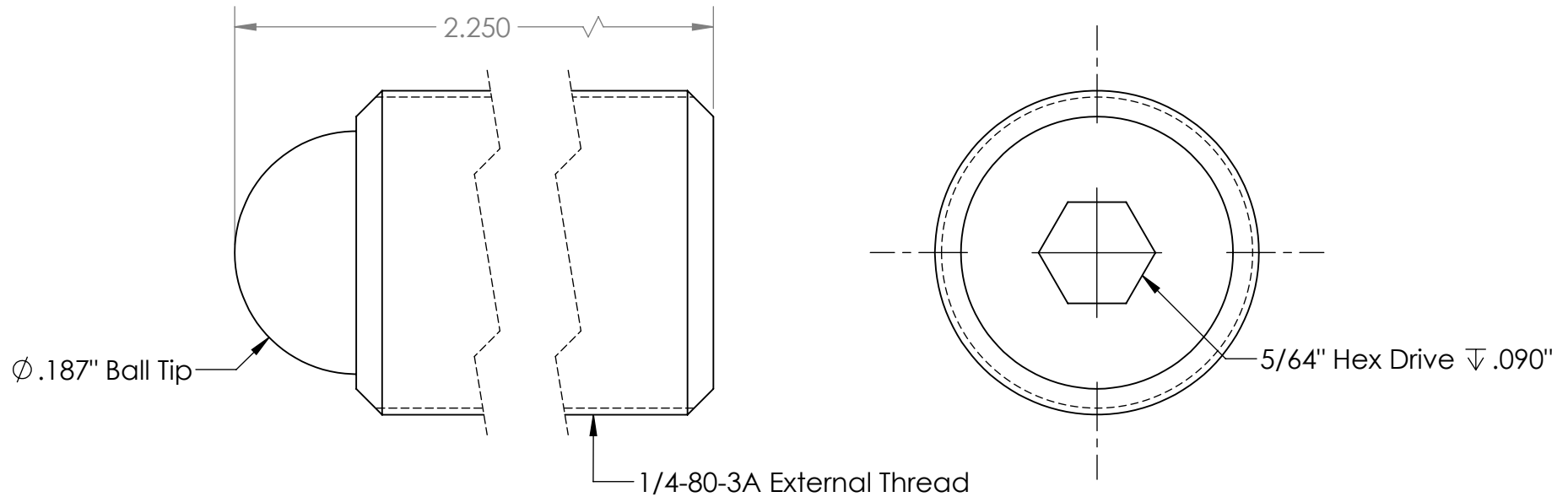


Scale: 3:2



**PROPRIETARY AND CONFIDENTIAL**  
 THE INFORMATION CONTAINED IN THIS DRAWING IS THE SOLE PROPERTY OF KOZAK MICRO ADJUSTERS. ANY REPRODUCTION IN PART OR AS A WHOLE WITHOUT THE WRITTEN PERMISSION OF KOZAK MICRO ADJUSTERS IS PROHIBITED.

|             |         |                                      |           |      |          |
|-------------|---------|--------------------------------------|-----------|------|----------|
|             |         | UNLESS OTHERWISE SPECIFIED:          |           | NAME | DATE     |
|             |         | DIMENSIONS ARE IN INCHES             | DRAWN     | D.K. | 10.09.12 |
|             |         | TOLERANCES:                          | CHECKED   | D.K. | 10.24.12 |
|             |         | FRACTIONAL ±1/64                     | ENG APPR. | D.K. | 10.26.12 |
|             |         | ANGULAR: MACH ± BEND ±               | MFG APPR. | G.K. | 11.12.12 |
|             |         | TWO PLACE DECIMAL ±.01               | Q.A.      |      |          |
|             |         | THREE PLACE DECIMAL ±.005            | COMMENTS: |      |          |
|             |         | INTERPRET GEOMETRIC TOLERANCING PER: |           |      |          |
|             |         | MATERIAL                             |           |      |          |
|             |         | 303 Stainless Steel                  |           |      |          |
| NEXT ASSY   | USED ON | FINISH                               |           |      |          |
| APPLICATION |         | DO NOT SCALE DRAWING                 |           |      |          |

|                            |                  |              |
|----------------------------|------------------|--------------|
| Kozak Micro Adjusters      |                  |              |
| TITLE:                     |                  |              |
| 1/4-80 x 2.250" Adj. Screw |                  |              |
| SIZE                       | DWG. NO.         | REV          |
| <b>A</b>                   | TS250-80-2250-AA | <b>A</b>     |
| SCALE: 8:1                 | WEIGHT:          | SHEET 1 OF 1 |