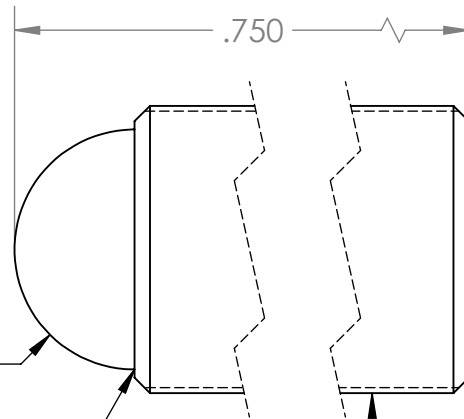
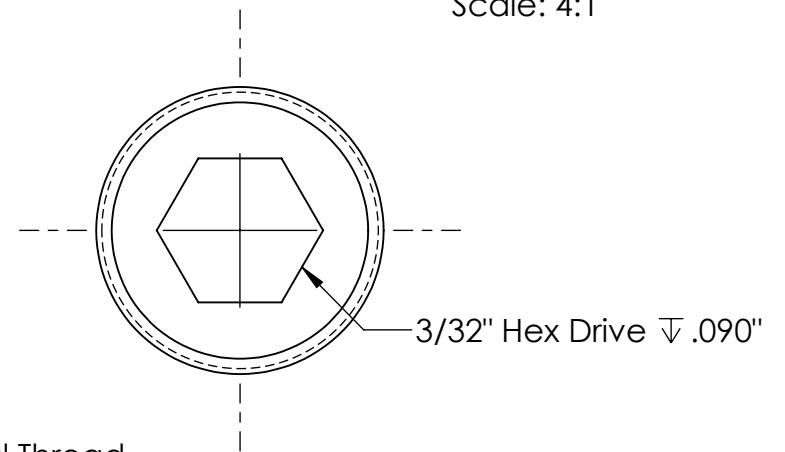


Scale: 4:1



.005" dia. hole for air to escape from beneath ball-tip

3/16-100-3A External Thread

PROPRIETARY AND CONFIDENTIAL
 THE INFORMATION CONTAINED IN THIS DRAWING IS THE SOLE PROPERTY OF KOZAK MICRO ADJUSTERS. ANY REPRODUCTION IN PART OR AS A WHOLE WITHOUT THE WRITTEN PERMISSION OF KOZAK MICRO ADJUSTERS IS PROHIBITED.

		UNLESS OTHERWISE SPECIFIED:		NAME	DATE	Kozak Micro Adjusters	
		DIMENSIONS ARE IN INCHES TOLERANCES: FRACTIONAL ±1/64 ANGULAR: MACH ± BEND ± TWO PLACE DECIMAL ±.01 THREE PLACE DECIMAL ±.005		DRAWN	D.K.		
		INTERPRET GEOMETRIC TOLERANCING PER:		CHECKED	D.K.	10.24.12	TITLE: 3/16-100 x 0.750" Adj. Screw
		MATERIAL 304 Stainless Steel		ENG APPR.	D.K.	10.26.12	
		FINISH		MFG APPR.	G.K.	11.12.12	
NEXT ASSY	USED ON			Q.A.			
APPLICATION		DO NOT SCALE DRAWING		COMMENTS:			
				SIZE	DWG. NO.		REV
				A	TS187-100-750-AA-HV		A
				SCALE: 8:1	WEIGHT:	SHEET 1 OF 1	