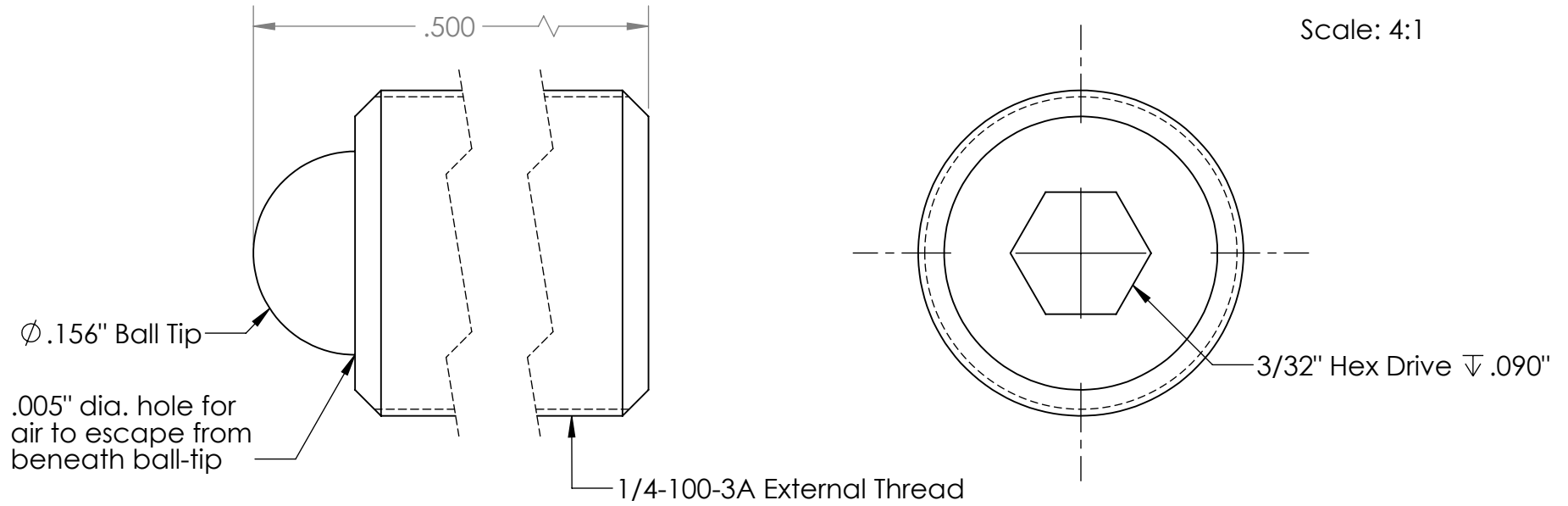


Scale: 4:1



**PROPRIETARY AND CONFIDENTIAL**  
 THE INFORMATION CONTAINED IN THIS DRAWING IS THE SOLE PROPERTY OF KOZAK MICRO ADJUSTERS. ANY REPRODUCTION IN PART OR AS A WHOLE WITHOUT THE WRITTEN PERMISSION OF KOZAK MICRO ADJUSTERS IS PROHIBITED.

		UNLESS OTHERWISE SPECIFIED:		NAME	DATE	Kozak Micro Adjusters			
		DIMENSIONS ARE IN INCHES	DRAWN	D.K.	10.09.12			TITLE: 1/4-100 x 0.500" Adj. Screw	
		TOLERANCES:	CHECKED	D.K.	10.24.12				
		FRACTIONAL $\pm 1/64$	ENG APPR.	D.K.	10.26.12				
		ANGULAR: MACH $\pm$ BEND $\pm$	MFG APPR.	G.K.	11.12.12				
		TWO PLACE DECIMAL $\pm .01$	Q.A.						
		THREE PLACE DECIMAL $\pm .005$	COMMENTS:						
		INTERPRET GEOMETRIC TOLERANCING PER:				SIZE	DWG. NO.	REV	
		MATERIAL				<b>A</b>	TS250-100-500-HV	<b>A</b>	
		304 Stainless Steel				SCALE: 8:1	WEIGHT:	SHEET 1 OF 1	
		FINISH							
NEXT ASSY	USED ON	APPLICATION		DO NOT SCALE DRAWING					