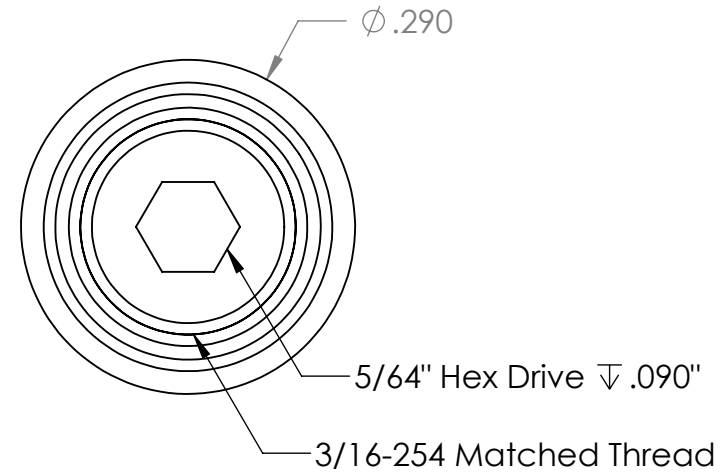
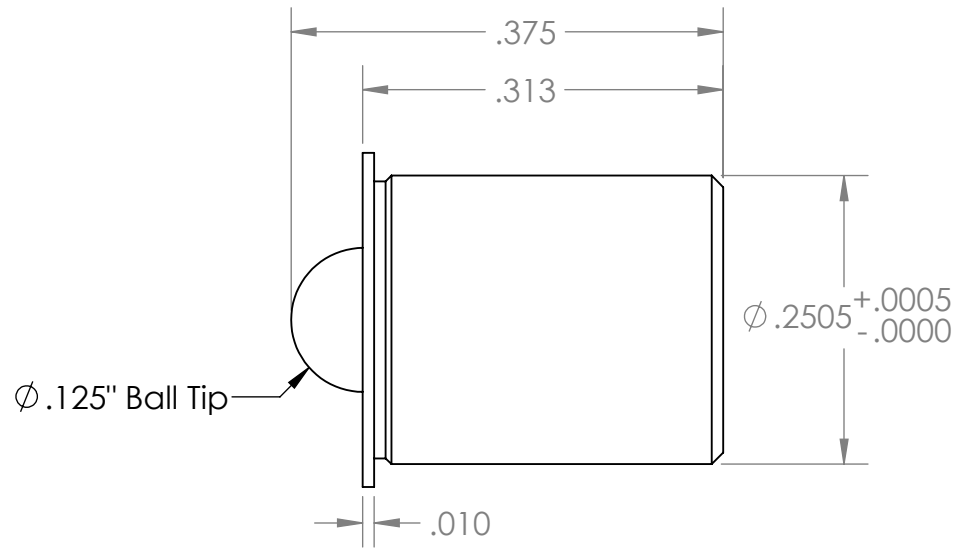


Scale: 4:1



**PROPRIETARY AND CONFIDENTIAL**  
 THE INFORMATION CONTAINED IN THIS DRAWING IS THE SOLE PROPERTY OF KOZAK MICRO ADJUSTERS. ANY REPRODUCTION IN PART OR AS A WHOLE WITHOUT THE WRITTEN PERMISSION OF KOZAK MICRO ADJUSTERS IS PROHIBITED.

		UNLESS OTHERWISE SPECIFIED:	NAME	DATE	Kozak Micro Adjusters	
		DIMENSIONS ARE IN INCHES TOLERANCES: FRACTIONAL $\pm 1/64$ ANGULAR: MACH $\pm$ BEND $\pm$ TWO PLACE DECIMAL $\pm .01$ THREE PLACE DECIMAL $\pm .005$	DRAWN	D.K.		
		INTERPRET GEOMETRIC TOLERANCING PER:	CHECKED	D.K.	10.24.12	TITLE: 3/16-254 x 0.375" Adj. Screw & 0.313" Adj. Bushing
		MATERIAL 303 SS & 360 Brass	ENG APPR.	D.K.	10.26.12	
NEXT ASSY	USED ON	FINISH	MFG APPR.	G.K.	11.12.12	SIZE DWG. NO. REV <b>A</b> TSB187-254-375/312 <b>A</b>
APPLICATION		DO NOT SCALE DRAWING	Q.A.	COMMENTS:		
5	4	3	2	1	SCALE: 6:1	WEIGHT:
					SHEET 1 OF 1	

5

4

3

2

1