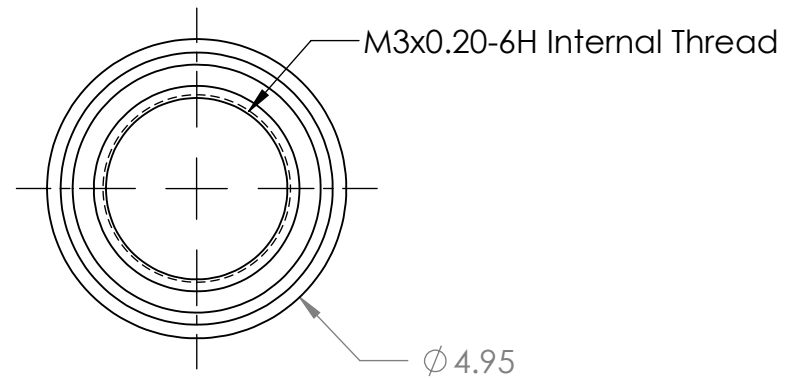
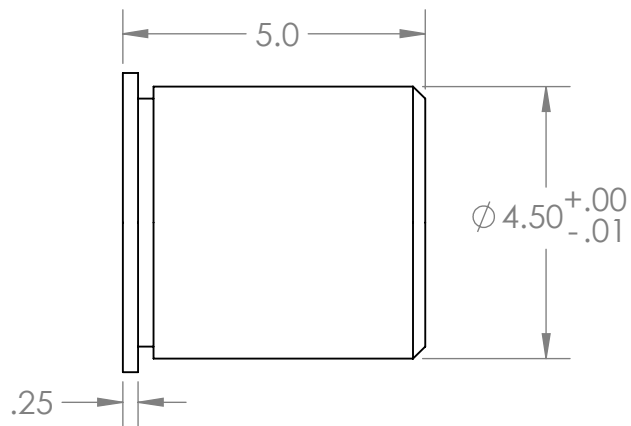


Scale: 6:1



**PROPRIETARY AND CONFIDENTIAL**  
 THE INFORMATION CONTAINED IN THIS DRAWING IS THE SOLE PROPERTY OF KOZAK MICRO ADJUSTERS. ANY REPRODUCTION IN PART OR AS A WHOLE WITHOUT THE WRITTEN PERMISSION OF KOZAK MICRO ADJUSTERS IS PROHIBITED.

		UNLESS OTHERWISE SPECIFIED:		NAME	DATE	Kozak Micro Adjusters	
		DIMENSIONS ARE IN MILLIMETERS		DRAWN	D.K.		
		TOLERANCES:		CHECKED	D.K.	10.24.12	TITLE: M3-0.20 x 5.0mm Adj. Bushing
		FRACTIONAL ±		ENG APPR.	D.K.	10.26.12	
		ANGULAR: MACH ± BEND ±		MFG APPR.	G.K.	11.12.12	
		ONE PLACE DECIMAL ±.1		Q.A.			SIZE DWG. NO. REV <b>A</b> TB3-20-05-P <b>A</b>
		TWO PLACE DECIMAL ±.01		COMMENTS:			
		INTERPRET GEOMETRIC TOLERANCING PER:					SCALE: 8:1 WEIGHT: SHEET 1 OF 1
		MATERIAL					
		510 Phosphor Bronze					
NEXT ASSY		USED ON					
APPLICATION		DO NOT SCALE DRAWING					

5

4

3

2

1