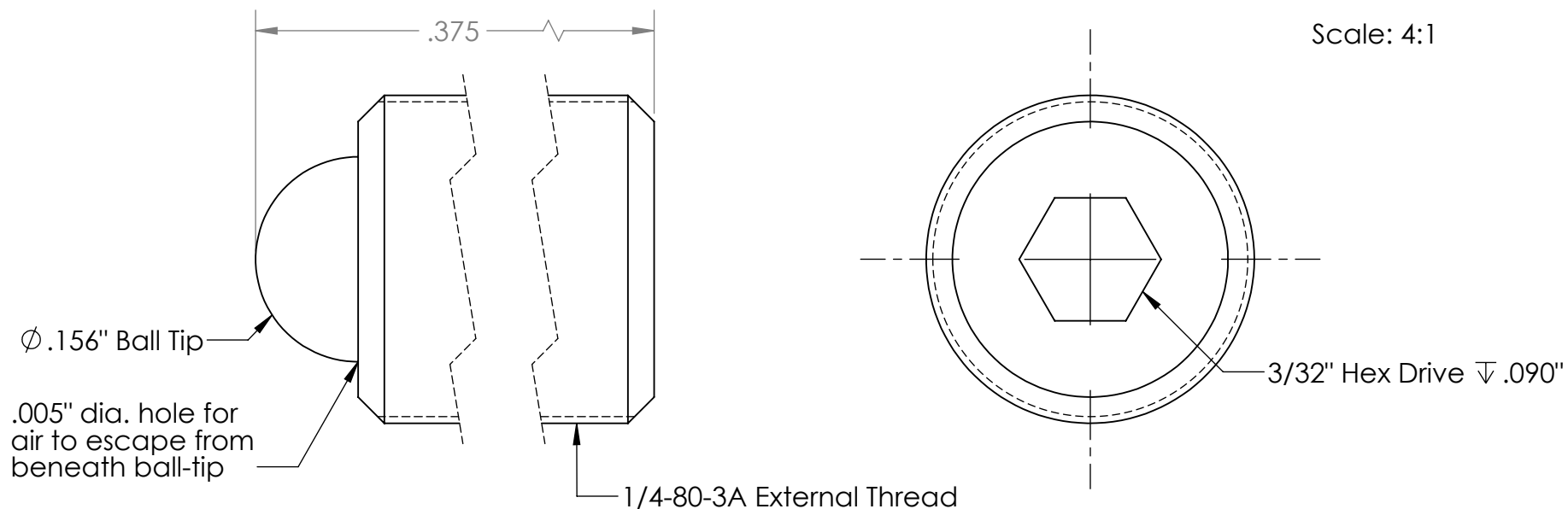


Scale: 4:1



**PROPRIETARY AND CONFIDENTIAL**  
 THE INFORMATION CONTAINED IN THIS DRAWING IS THE SOLE PROPERTY OF KOZAK MICRO ADJUSTERS. ANY REPRODUCTION IN PART OR AS A WHOLE WITHOUT THE WRITTEN PERMISSION OF KOZAK MICRO ADJUSTERS IS PROHIBITED.

|             |         |                                      |           |            |  |              |          |
|-------------|---------|--------------------------------------|-----------|------------|--|--------------|----------|
|             |         | UNLESS OTHERWISE SPECIFIED:          | NAME      | DATE       | <b>Kozak Micro Adjusters</b><br><br><b>TITLE:</b><br><b>1/4-80 x 0.375" Adj. Screw</b> |              |          |
|             |         | DIMENSIONS ARE IN INCHES             | DRAWN     | D.K.       |  |              | 10.09.12 |
|             |         | TOLERANCES:                          | CHECKED   | D.K.       |  |              | 10.24.12 |
|             |         | FRACTIONAL $\pm 1/64$                | ENG APPR. | D.K.       |  |              | 10.26.12 |
|             |         | ANGULAR: MACH $\pm$ BEND $\pm$       | MFG APPR. | G.K.       |  |              | 11.12.12 |
|             |         | TWO PLACE DECIMAL $\pm .01$          | Q.A.      |            |  |              |          |
|             |         | THREE PLACE DECIMAL $\pm .005$       | COMMENTS: |            |  |              |          |
|             |         | INTERPRET GEOMETRIC TOLERANCING PER: |           |            |  |              |          |
|             |         | MATERIAL                             |           |            |  |              |          |
|             |         | 304 Stainless Steel                  |           |            |  |              |          |
|             |         | FINISH                               |           |            |  |              |          |
| NEXT ASSY   | USED ON |                                      |           | SIZE       | DWG. NO.   | REV          |          |
| APPLICATION |         | DO NOT SCALE DRAWING                 |           | <b>A</b>   | TS250-80-375-HV  | <b>A</b>     |          |
|             |         |                                      |           | SCALE: 8:1 | WEIGHT:  | SHEET 1 OF 1 |          |