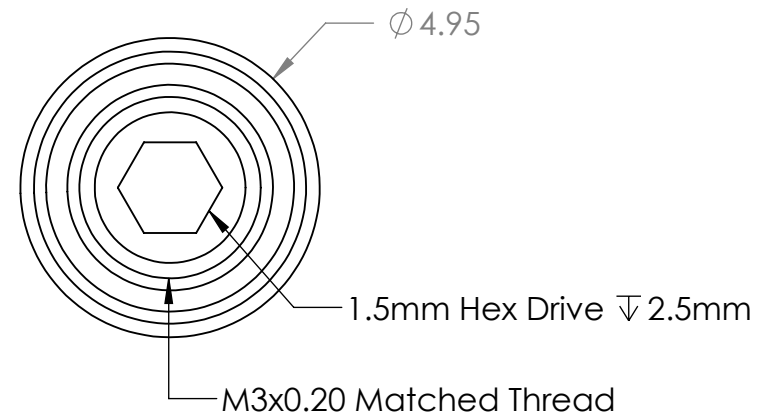
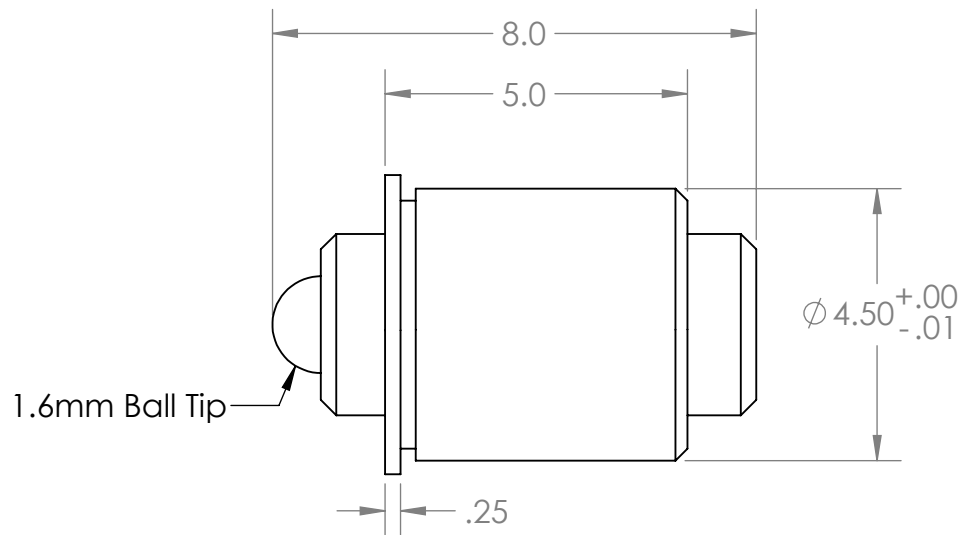


Scale: 6:1



PROPRIETARY AND CONFIDENTIAL
 THE INFORMATION CONTAINED IN THIS DRAWING IS THE SOLE PROPERTY OF KOZAK MICRO ADJUSTERS. ANY REPRODUCTION IN PART OR AS A WHOLE WITHOUT THE WRITTEN PERMISSION OF KOZAK MICRO ADJUSTERS IS PROHIBITED.

		UNLESS OTHERWISE SPECIFIED:	NAME	DATE	Kozak Micro Adjusters	
		DIMENSIONS ARE IN MILLIMETERS	DRAWN	D.K.		
		TOLERANCES:	CHECKED	D.K.	10.24.12	TITLE: M3-0.20 x 8.0mm Adj. Screw & 5.0mm Adj. Bushing
		FRACTIONAL ±	ENG APPR.	D.K.	10.26.12	
		ANGULAR: MACH ± BEND ±	MFG APPR.	G.K.	11.12.12	
		ONE PLACE DECIMAL ±.1	Q.A.			SIZE DWG. NO. REV A TSBM3-20-8/5 A
		TWO PLACE DECIMAL ±.01	COMMENTS:			
		INTERPRET GEOMETRIC TOLERANCING PER:				SCALE: 8:1 WEIGHT: SHEET 1 OF 1
		MATERIAL				
		303 SS & 360 Brass				
NEXT ASSY	USED ON	FINISH				
APPLICATION		DO NOT SCALE DRAWING				

5

4

3

2

1