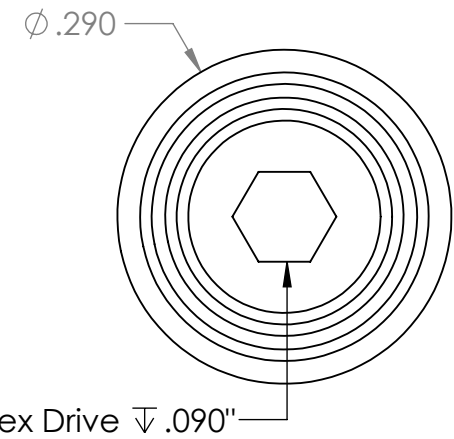
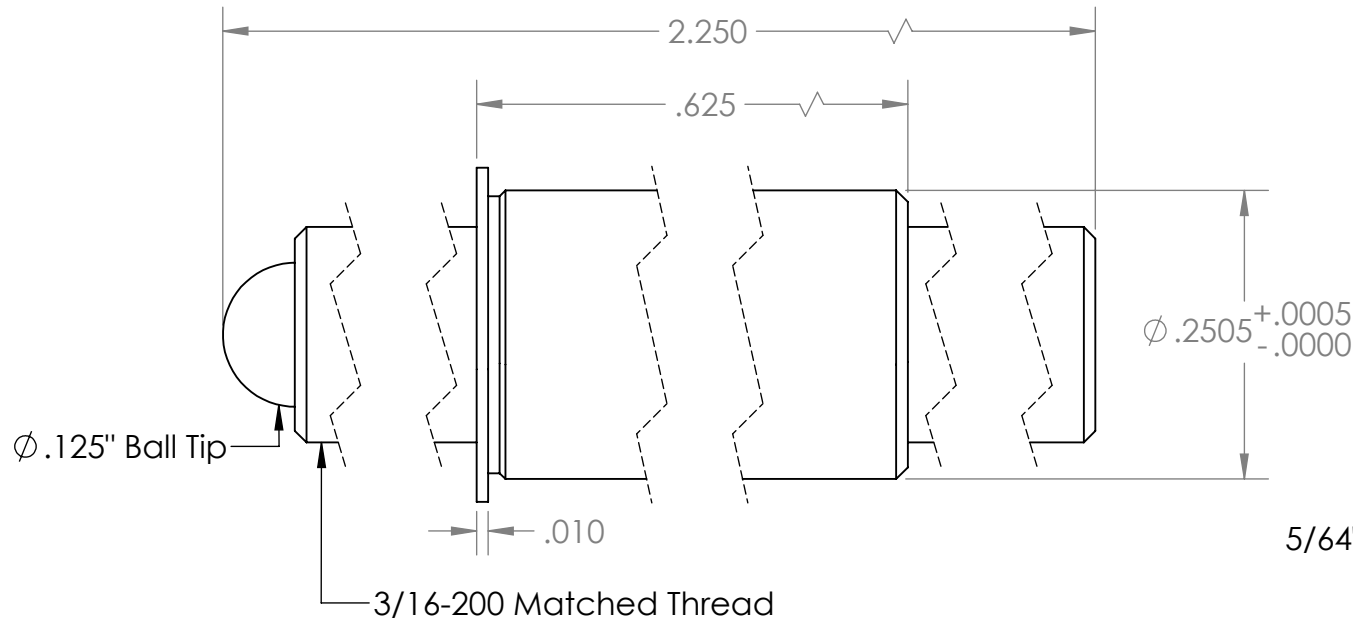


Scale: 3:2



**PROPRIETARY AND CONFIDENTIAL**  
 THE INFORMATION CONTAINED IN THIS DRAWING IS THE SOLE PROPERTY OF KOZAK MICRO ADJUSTERS. ANY REPRODUCTION IN PART OR AS A WHOLE WITHOUT THE WRITTEN PERMISSION OF KOZAK MICRO ADJUSTERS IS PROHIBITED.

		UNLESS OTHERWISE SPECIFIED:	NAME	DATE	Kozak Micro Adjusters			
		DIMENSIONS ARE IN INCHES TOLERANCES: FRACTIONAL $\pm 1/64$ ANGULAR: MACH $\pm$ BEND $\pm$ TWO PLACE DECIMAL $\pm .01$ THREE PLACE DECIMAL $\pm .005$	DRAWN	D.K.			10.09.12	
		INTERPRET GEOMETRIC TOLERANCING PER:	CHECKED	D.K.	10.24.12	TITLE: 3/16-200 x 2.250" Adj. Screw & 0.625" Adj. Bushing		
		MATERIAL 303 SS & 360 Brass	ENG APPR.	D.K.	10.26.12			
		FINISH	MFG APPR.	G.K.	11.12.12			
NEXT ASSY	USED ON		Q.A.			SIZE	DWG. NO.	REV
APPLICATION		DO NOT SCALE DRAWING	COMMENTS:			<b>A</b>	TSB187-200-2250/625	<b>A</b>
			SCALE: 6:1	WEIGHT:	SHEET 1 OF 1			

5

4

3

2

1