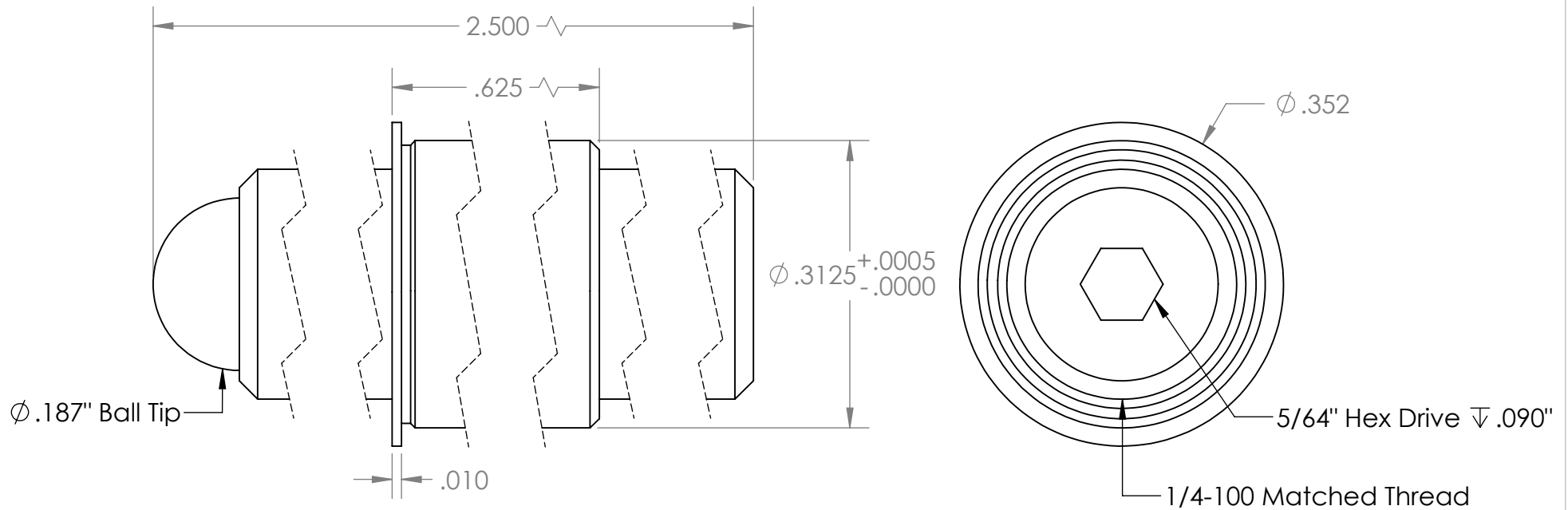


Scale: 1:1



PROPRIETARY AND CONFIDENTIAL
 THE INFORMATION CONTAINED IN THIS DRAWING IS THE SOLE PROPERTY OF KOZAK MICRO ADJUSTERS. ANY REPRODUCTION IN PART OR AS A WHOLE WITHOUT THE WRITTEN PERMISSION OF KOZAK MICRO ADJUSTERS IS PROHIBITED.

| | | | | | |
|-------------|---------|--------------------------------------|-----------|------|----------|
| | | UNLESS OTHERWISE SPECIFIED: | | NAME | DATE |
| | | DIMENSIONS ARE IN INCHES | DRAWN | D.K. | 10.09.12 |
| | | TOLERANCES: | CHECKED | D.K. | 10.24.12 |
| | | FRACTIONAL $\pm 1/64$ | ENG APPR. | D.K. | 10.26.12 |
| | | ANGULAR: MACH \pm BEND \pm | MFG APPR. | G.K. | 11.12.12 |
| | | TWO PLACE DECIMAL $\pm .01$ | Q.A. | | |
| | | THREE PLACE DECIMAL $\pm .005$ | COMMENTS: | | |
| | | INTERPRET GEOMETRIC TOLERANCING PER: | | | |
| | | MATERIAL | | | |
| | | 303 SS & 360 Brass | | | |
| | | FINISH | | | |
| NEXT ASSY | USED ON | | | | |
| APPLICATION | | DO NOT SCALE DRAWING | | | |

| | | |
|---|------------------------|--------------|
| Kozak Micro Adjusters | | |
| TITLE: | | |
| 1/4-100 x 2.500" Adj. Screw & 0.625" Adj. Bushing | | |
| SIZE | DWG. NO. | REV |
| A | TSB250-100-2500/625-AA | A |
| SCALE: 6:1 | WEIGHT: | SHEET 1 OF 1 |

5

4

3

2

1