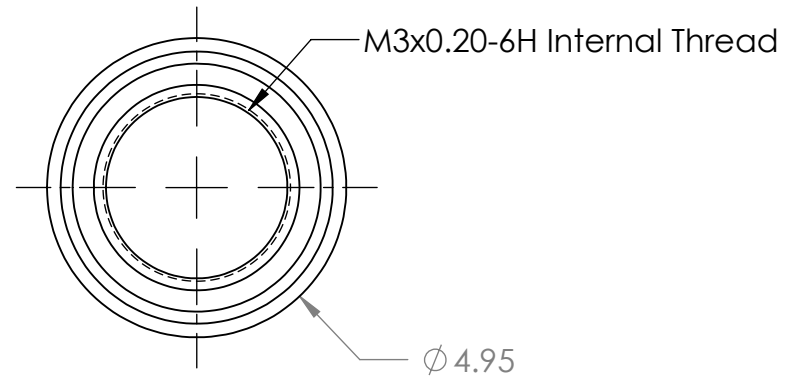
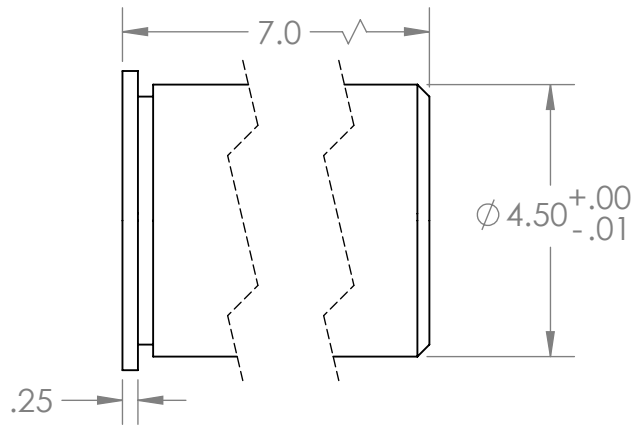


Scale: 6:1



PROPRIETARY AND CONFIDENTIAL
 THE INFORMATION CONTAINED IN THIS DRAWING IS THE SOLE PROPERTY OF KOZAK MICRO ADJUSTERS. ANY REPRODUCTION IN PART OR AS A WHOLE WITHOUT THE WRITTEN PERMISSION OF KOZAK MICRO ADJUSTERS IS PROHIBITED.

		UNLESS OTHERWISE SPECIFIED:		NAME	DATE	Kozak Micro Adjusters		
		DIMENSIONS ARE IN MILLIMETERS	DRAWN	D.K.	10.09.12			
		TOLERANCES:	CHECKED	D.K.	10.24.12	SIZE	DWG. NO.	REV
		FRACTIONAL ±	ENG APPR.	D.K.	10.26.12	A	TB3-20-07-S	A
		ANGULAR: MACH ± BEND ±	MFG APPR.	G.K.	11.12.12	SCALE: 8:1	WEIGHT:	SHEET 1 OF 1
		ONE PLACE DECIMAL ±.1	Q.A.					
		TWO PLACE DECIMAL ±.01	COMMENTS:					
		INTERPRET GEOMETRIC TOLERANCING PER:						
		MATERIAL						
		303 Stainless Steel						
		FINISH						
NEXT ASSY	USED ON							
APPLICATION		DO NOT SCALE DRAWING						

5

4

3

2

1