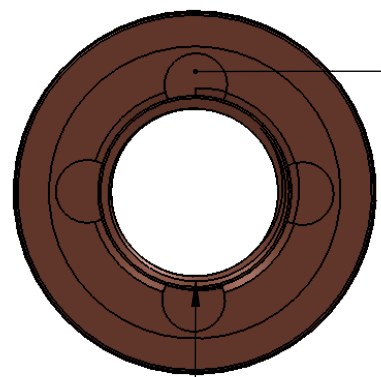
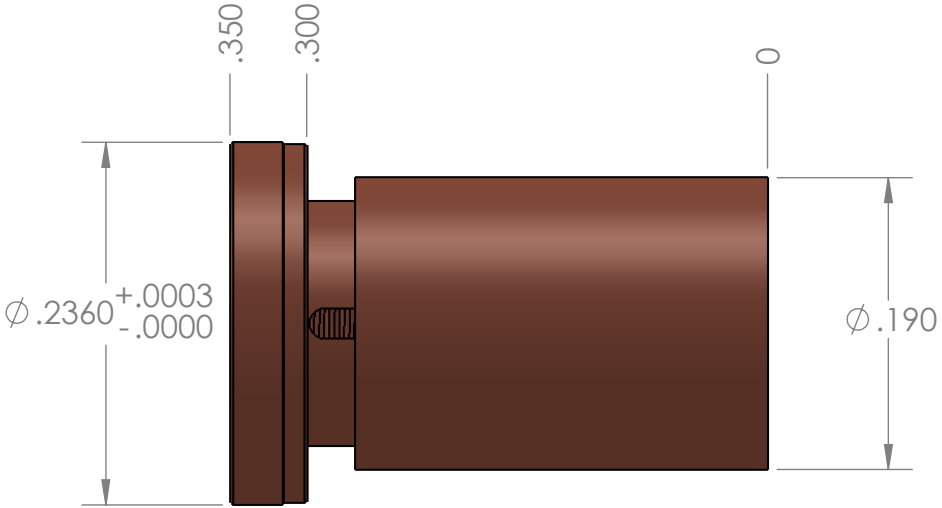


Scale 4:1



Slots for adjuster wrench (4x)

M3 x 0.25/0.20 mm Pitch
Internal Thread

PROPRIETARY AND CONFIDENTIAL
THE INFORMATION CONTAINED IN THIS DRAWING IS THE SOLE PROPERTY OF KOZAK MICRO ADJUSTERS. ANY REPRODUCTION IN PART OR AS A WHOLE WITHOUT THE WRITTEN PERMISSION OF KOZAK MICRO ADJUSTERS IS PROHIBITED.

		UNLESS OTHERWISE SPECIFIED:	NAME	DATE	Kozak Micro Adjusters	
		DIMENSIONS ARE IN INCHES	DRAWN	J.P.	04.29.13	TITLE: M3 x 0.25/0.20 mm Adjustable Bushing
		TOLERANCES:	CHECKED	D.K.	04.29.13	
		FRACTIONAL ±	ENG APPR.	G.K.	05.03.13	
		ANGULAR: MACH ± BEND ±	MFG APPR.	G.K.	05.06.13	
		TWO PLACE DECIMAL ±	Q.A.			SIZE DWG. NO. REV A ABM3 Series A
		THREE PLACE DECIMAL ±	COMMENTS:			
		INTERPRET GEOMETRIC TOLERANCING PER:				SCALE: 8:1
		MATERIAL				WEIGHT:
		544 Phosphor Bronze				SHEET 1 OF 1
		FINISH				
NEXT ASSY	USED ON	APPLICATION		DO NOT SCALE DRAWING		