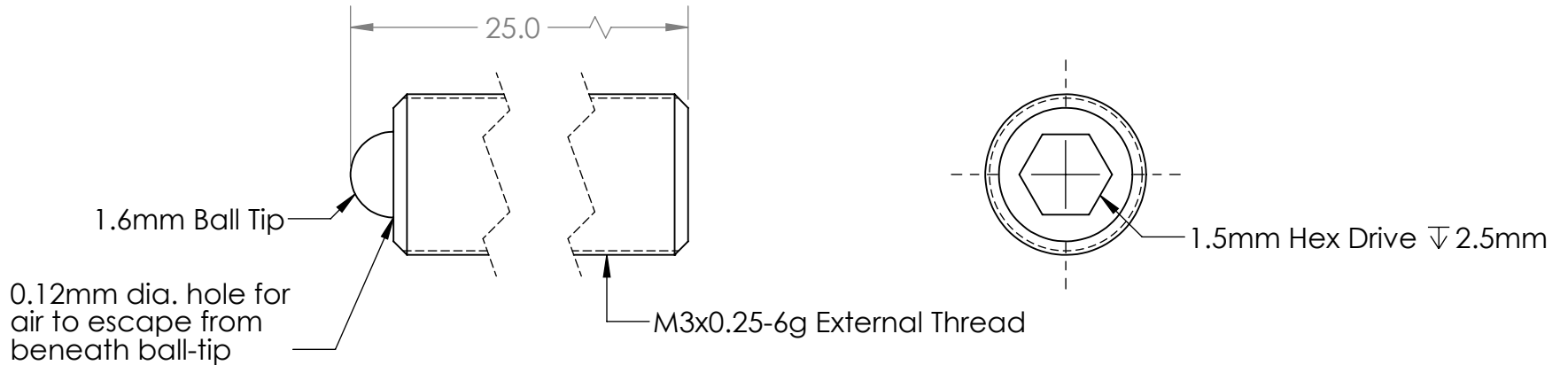


Scale: 4:1



**PROPRIETARY AND CONFIDENTIAL**  
 THE INFORMATION CONTAINED IN THIS DRAWING IS THE SOLE PROPERTY OF KOZAK MICRO ADJUSTERS. ANY REPRODUCTION IN PART OR AS A WHOLE WITHOUT THE WRITTEN PERMISSION OF KOZAK MICRO ADJUSTERS IS PROHIBITED.

		UNLESS OTHERWISE SPECIFIED:		NAME	DATE	Kozak Micro Adjusters		
		DIMENSIONS ARE IN MILLIMETERS	DRAWN	D.K.	10.09.12			
		TOLERANCES:	CHECKED	D.K.	10.24.12	SIZE DWG. NO. REV <b>A</b> TS3-25-25-HV <b>A</b>		
		FRACTIONAL $\pm$	ENG APPR.	D.K.	10.26.12			
		ANGULAR: MACH $\pm$ BEND $\pm$	MFG APPR.	G.K.	11.12.12	COMMENTS:		
		ONE PLACE DECIMAL $\pm .1$	Q.A.					
		TWO PLACE DECIMAL $\pm .01$	COMMENTS:			NEXT ASSY USED ON		
		INTERPRET GEOMETRIC TOLERANCING PER:						
		MATERIAL				FINISH		
		FINISH						
		APPLICATION						
		DO NOT SCALE DRAWING						