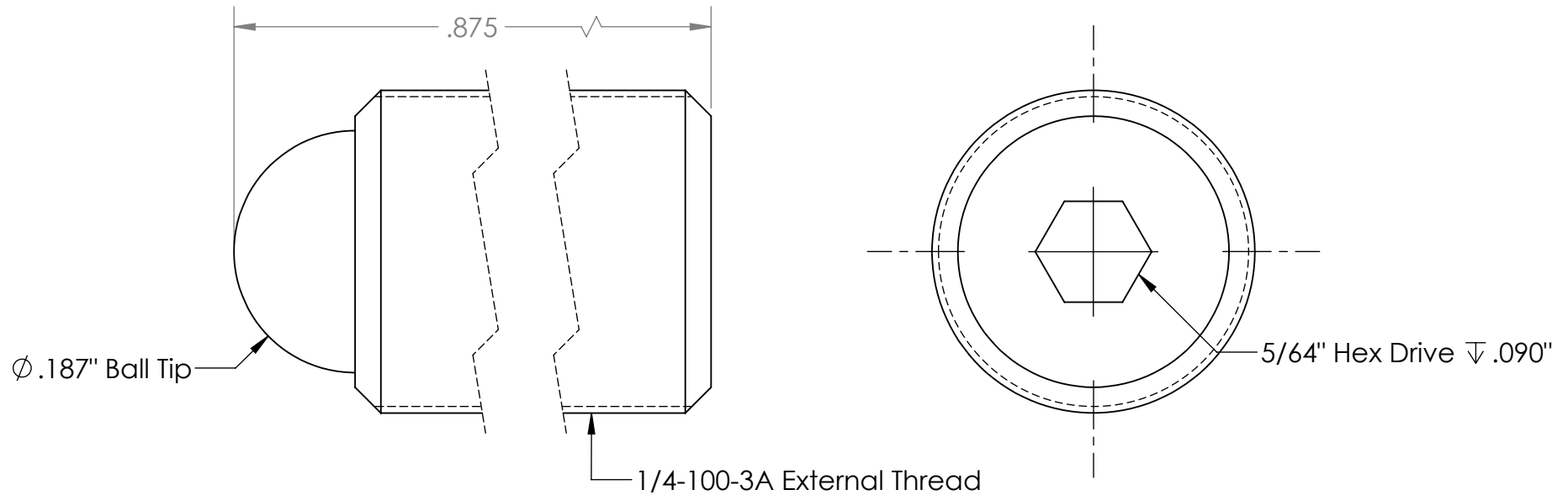


Scale: 2:1



PROPRIETARY AND CONFIDENTIAL
 THE INFORMATION CONTAINED IN THIS DRAWING IS THE SOLE PROPERTY OF KOZAK MICRO ADJUSTERS. ANY REPRODUCTION IN PART OR AS A WHOLE WITHOUT THE WRITTEN PERMISSION OF KOZAK MICRO ADJUSTERS IS PROHIBITED.

| | | | | | | | |
|-------------|---------|---|--|------------|------------------|-----------------------|---------------------------------------|
| | | UNLESS OTHERWISE SPECIFIED: | | NAME | DATE | Kozak Micro Adjusters | |
| | | DIMENSIONS ARE IN INCHES TOLERANCES: FRACTIONAL $\pm 1/64$ ANGULAR: MACH \pm BEND \pm TWO PLACE DECIMAL $\pm .01$ THREE PLACE DECIMAL $\pm .005$ | | DRAWN | D.K. | | |
| | | INTERPRET GEOMETRIC TOLERANCING PER: | | CHECKED | D.K. | 10.24.12 | TITLE: 1/4-100 x 0.875" Adj. Screw |
| | | MATERIAL 303 Stainless Steel | | ENG APPR. | D.K. | 10.26.12 | |
| | | FINISH | | MFG APPR. | G.K. | 11.12.12 | |
| NEXT ASSY | USED ON | | | Q.A. | | | |
| APPLICATION | | DO NOT SCALE DRAWING | | COMMENTS: | | | |
| | | | | SIZE | DWG. NO. | REV | |
| | | | | A | TS250-100-875-AA | A | |
| | | | | SCALE: 8:1 | WEIGHT: | SHEET 1 OF 1 | |

5

4

3

2

1