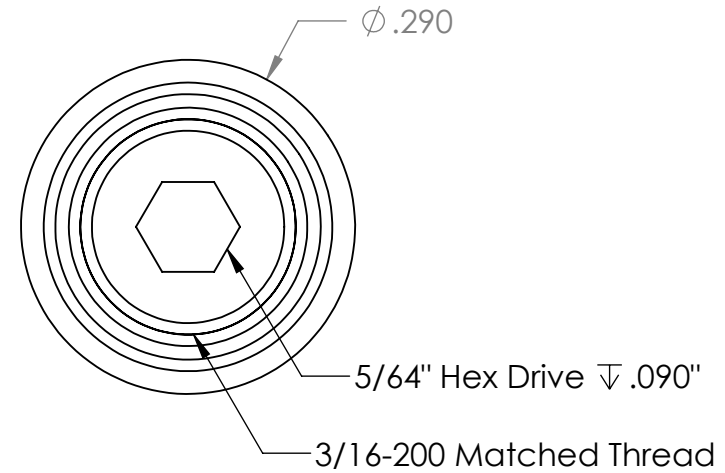
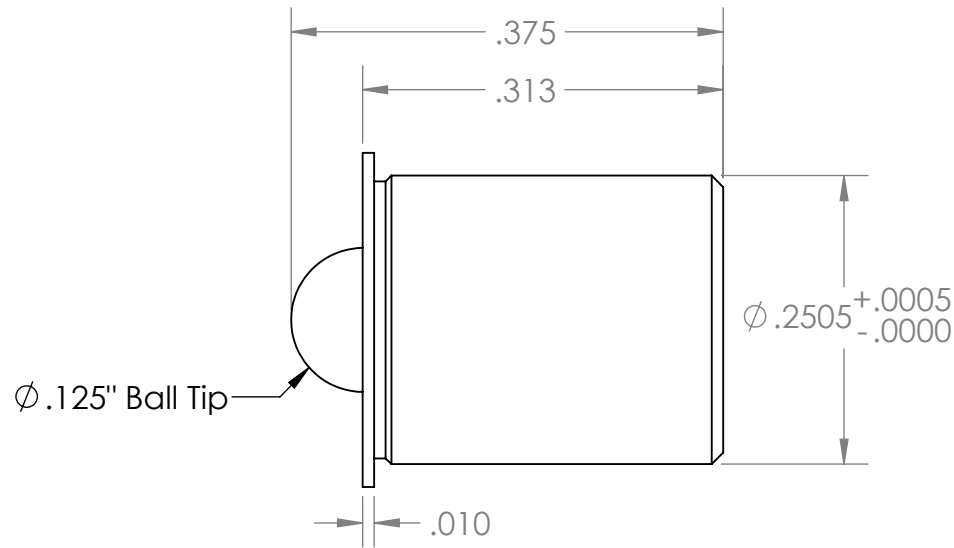


Scale: 4:1



PROPRIETARY AND CONFIDENTIAL
 THE INFORMATION CONTAINED IN THIS DRAWING IS THE SOLE PROPERTY OF KOZAK MICRO ADJUSTERS. ANY REPRODUCTION IN PART OR AS A WHOLE WITHOUT THE WRITTEN PERMISSION OF KOZAK MICRO ADJUSTERS IS PROHIBITED.

		UNLESS OTHERWISE SPECIFIED:		NAME	DATE	Kozak Micro Adjusters	
		DIMENSIONS ARE IN INCHES TOLERANCES: FRACTIONAL $\pm 1/64$ ANGULAR: MACH \pm BEND \pm TWO PLACE DECIMAL $\pm .01$ THREE PLACE DECIMAL $\pm .005$		DRAWN	D.K.		
		INTERPRET GEOMETRIC TOLERANCING PER:		CHECKED	D.K.	10.24.12	TITLE: 3/16-200 x 0.375" Adj. Screw & 0.313" Adj. Bushing
		MATERIAL 303 SS & 360 Brass		ENG APPR.	D.K.	10.26.12	
		FINISH		MFG APPR.	G.K.	11.12.12	
NEXT ASSY	USED ON			Q.A.			SIZE DWG. NO. REV A TSB187-200-375/312 A
APPLICATION		DO NOT SCALE DRAWING		COMMENTS:			
				SCALE: 6:1	WEIGHT:	SHEET 1 OF 1	

5

4

3

2

1