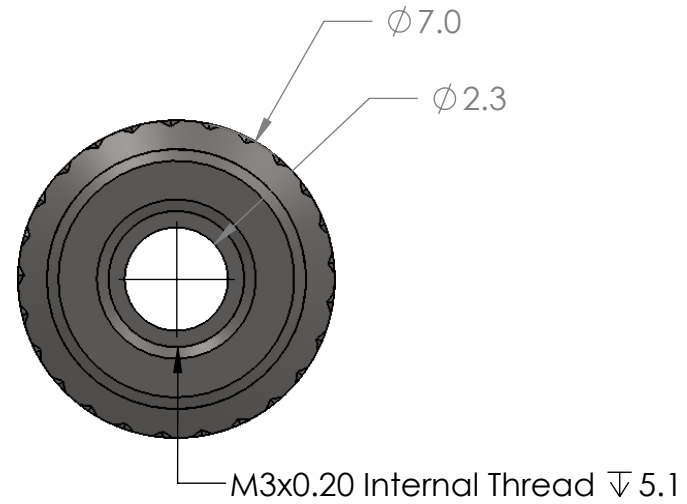
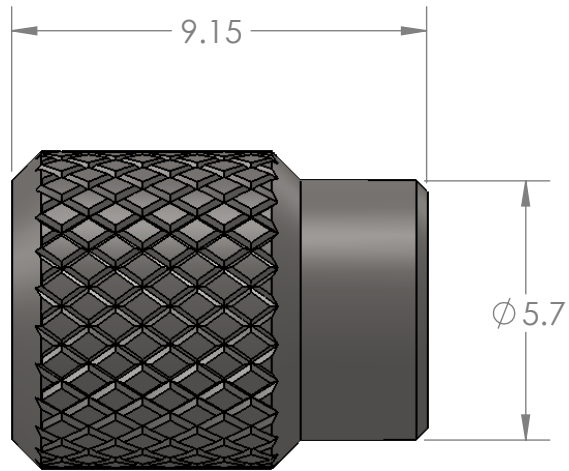


Scale: 4:1



PROPRIETARY AND CONFIDENTIAL
 THE INFORMATION CONTAINED IN THIS DRAWING IS THE SOLE PROPERTY OF KOZAK MICRO ADJUSTERS. ANY REPRODUCTION IN PART OR AS A WHOLE WITHOUT THE WRITTEN PERMISSION OF KOZAK MICRO ADJUSTERS IS PROHIBITED.

		UNLESS OTHERWISE SPECIFIED:		NAME	DATE	Kozak Micro Adjusters	
		DIMENSIONS ARE IN MILLIMETERS	DRAWN	D.K.	10.09.12	TITLE:	
		TOLERANCES:	CHECKED	D.K.	10.24.12	M3-0.20 Adjustment Knob	
		FRACTIONAL ±	ENG APPR.	D.K.	10.26.12	SIZE	DWG. NO.
		ANGULAR: MACH ± BEND ±	MFG APPR.	G.K.	11.12.12	A	KBM3-20
		ONE PLACE DECIMAL ±.1	Q.A.				REV
		TWO PLACE DECIMAL ±.01	COMMENTS:				A
		INTERPRET GEOMETRIC TOLERANCING PER:				SCALE: 6:1	WEIGHT:
		MATERIAL					SHEET 1 OF 1
		303 Stainless Steel					
NEXT ASSY	USED ON	FINISH					
APPLICATION		DO NOT SCALE DRAWING					

5

4

3

2

1