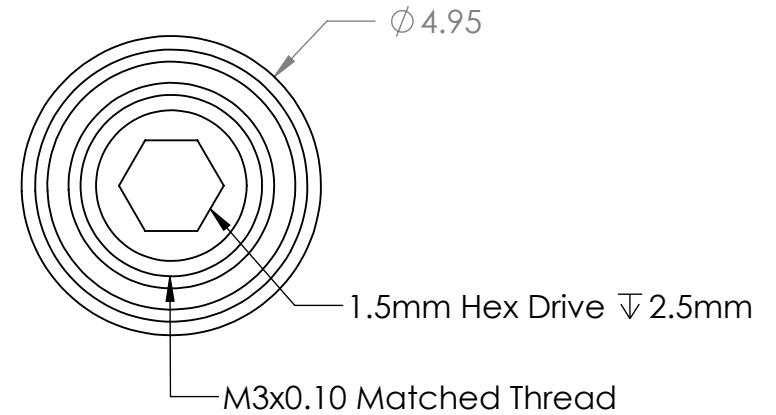
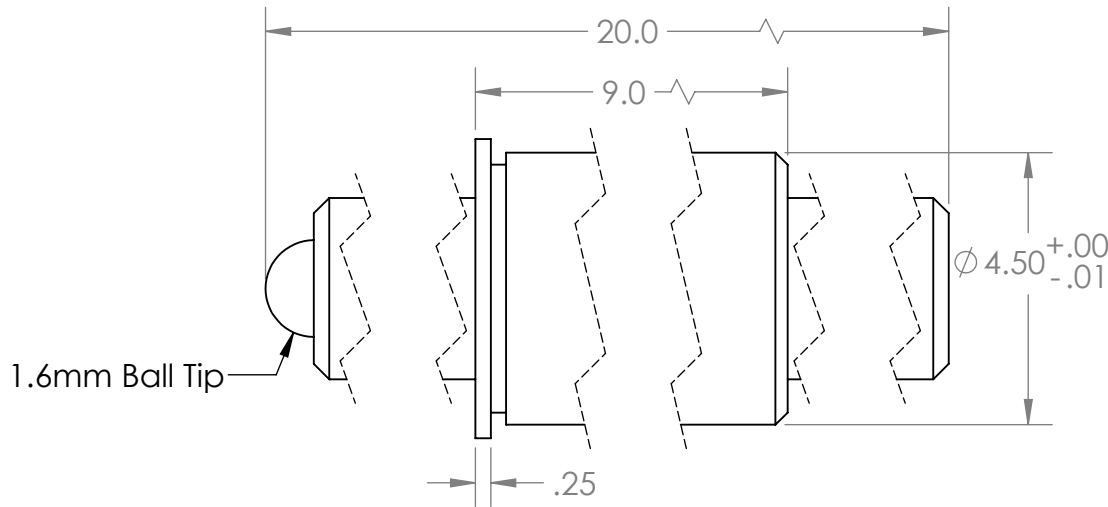


Scale: 4:1



PROPRIETARY AND CONFIDENTIAL
 THE INFORMATION CONTAINED IN THIS DRAWING IS THE SOLE PROPERTY OF KOZAK MICRO ADJUSTERS. ANY REPRODUCTION IN PART OR AS A WHOLE WITHOUT THE WRITTEN PERMISSION OF KOZAK MICRO ADJUSTERS IS PROHIBITED.

		UNLESS OTHERWISE SPECIFIED:		NAME	DATE	Kozak Micro Adjusters								
		DIMENSIONS ARE IN MILLIMETERS	DRAWN	D.K.	10.09.12				TITLE: M3-0.10 x 20.0mm Adj. Screw & 9.0mm Adj. Bushing					
		TOLERANCES:	CHECKED	D.K.	10.24.12	SIZE DWG. NO. REV A TSBM3-10-20/9 A								
		FRACTIONAL ±	ENG APPR.	D.K.	10.26.12							SCALE: 8:1 WEIGHT: SHEET 1 OF 1		
		ANGULAR: MACH ± BEND ±	MFG APPR.	G.K.	11.12.12									
		ONE PLACE DECIMAL ±.1	Q.A.						APPLICATION DO NOT SCALE DRAWING					
		TWO PLACE DECIMAL ±.01				NEXT ASSY USED ON								
		INTERPRET GEOMETRIC TOLERANCING PER:										MATERIAL 303 SS & 360 Brass		
		MATERIAL												
		FINISH												