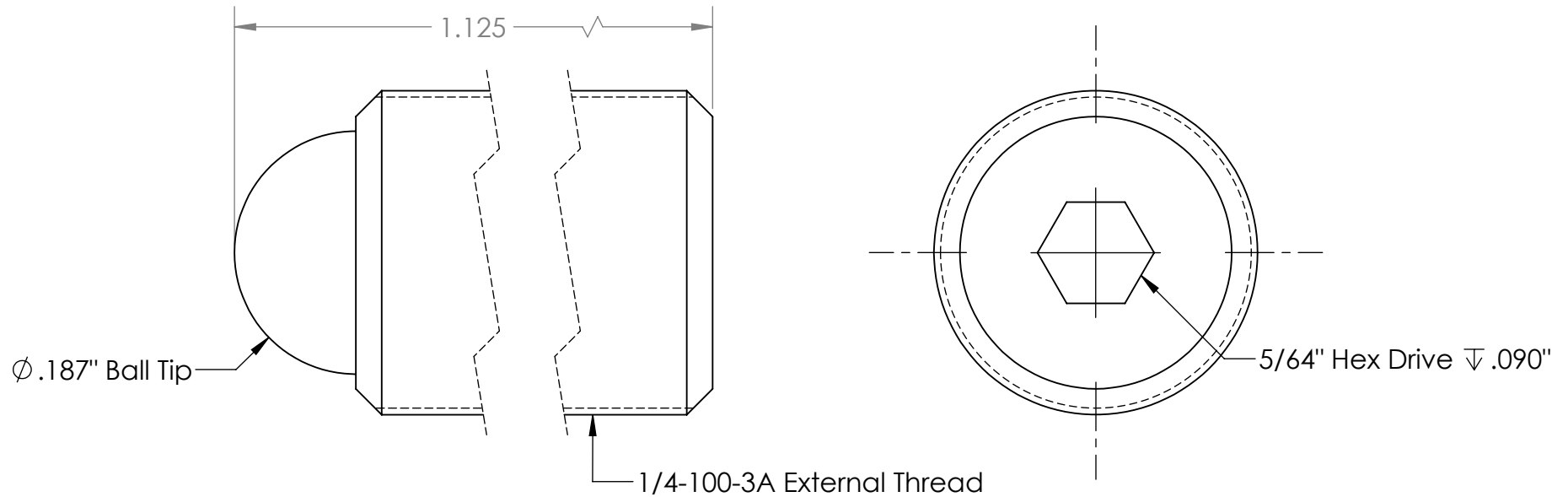


Scale: 2:1



**PROPRIETARY AND CONFIDENTIAL**  
 THE INFORMATION CONTAINED IN THIS DRAWING IS THE SOLE PROPERTY OF KOZAK MICRO ADJUSTERS. ANY REPRODUCTION IN PART OR AS A WHOLE WITHOUT THE WRITTEN PERMISSION OF KOZAK MICRO ADJUSTERS IS PROHIBITED.

		UNLESS OTHERWISE SPECIFIED:		NAME	DATE	Kozak Micro Adjusters	
		DIMENSIONS ARE IN INCHES TOLERANCES: FRACTIONAL ±1/64 ANGULAR: MACH ±    BEND ± TWO PLACE DECIMAL ±.01 THREE PLACE DECIMAL ±.005		DRAWN	D.K.		
		INTERPRET GEOMETRIC TOLERANCING PER:		CHECKED	D.K.	10.24.12	TITLE:  1/4-100 x 1.125" Adj. Screw
		MATERIAL 303 Stainless Steel		ENG APPR.	D.K.	10.26.12	
		FINISH		MFG APPR.	G.K.	11.12.12	
NEXT ASSY	USED ON			Q.A.			
APPLICATION		DO NOT SCALE DRAWING		COMMENTS:			
				SIZE	DWG. NO.		REV
				<b>A</b>	TS250-100-1125-AA		<b>A</b>
				SCALE: 8:1	WEIGHT:	SHEET 1 OF 1	

5

4

3

2

1