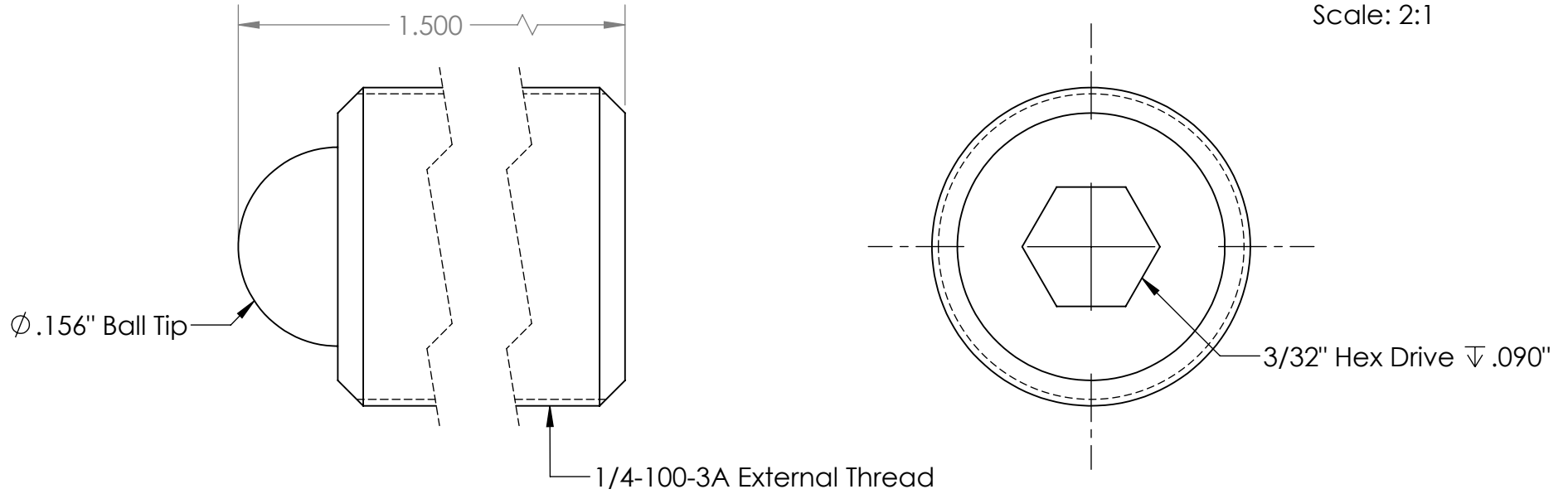


Scale: 2:1



PROPRIETARY AND CONFIDENTIAL
 THE INFORMATION CONTAINED IN THIS DRAWING IS THE SOLE PROPERTY OF KOZAK MICRO ADJUSTERS. ANY REPRODUCTION IN PART OR AS A WHOLE WITHOUT THE WRITTEN PERMISSION OF KOZAK MICRO ADJUSTERS IS PROHIBITED.

		UNLESS OTHERWISE SPECIFIED:		NAME	DATE	Kozak Micro Adjusters	
		DIMENSIONS ARE IN INCHES TOLERANCES: FRACTIONAL $\pm 1/64$ ANGULAR: MACH \pm BEND \pm TWO PLACE DECIMAL $\pm .01$ THREE PLACE DECIMAL $\pm .005$	DRAWN	D.K.	10.09.12		
		INTERPRET GEOMETRIC TOLERANCING PER:	CHECKED	D.K.	10.24.12		
		MATERIAL 303 Stainless Steel	ENG APPR.	D.K.	10.26.12		
		FINISH	MFG APPR.	G.K.	11.12.12		
NEXT ASSY	USED ON		Q.A.			SIZE DWG. NO. REV A TS250-100-1500 A	
APPLICATION		DO NOT SCALE DRAWING	COMMENTS:				
			SCALE: 8:1	WEIGHT:	SHEET 1 OF 1		