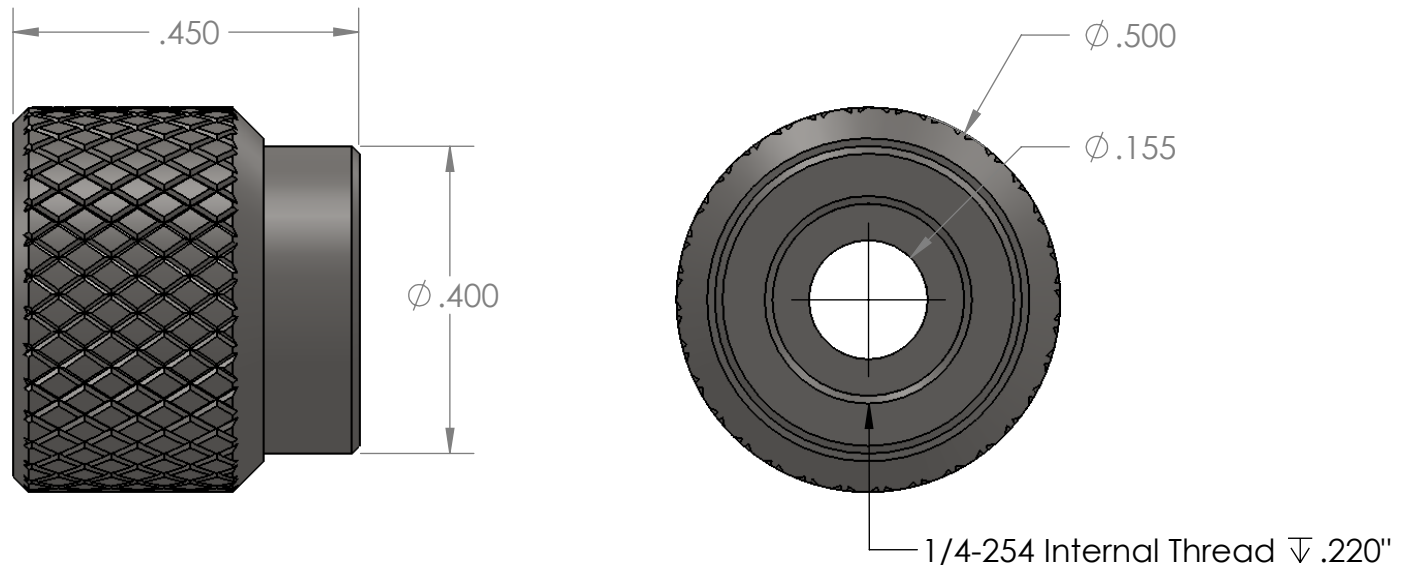


Scale: 2:1



**PROPRIETARY AND CONFIDENTIAL**  
 THE INFORMATION CONTAINED IN THIS DRAWING IS THE SOLE PROPERTY OF KOZAK MICRO ADJUSTERS. ANY REPRODUCTION IN PART OR AS A WHOLE WITHOUT THE WRITTEN PERMISSION OF KOZAK MICRO ADJUSTERS IS PROHIBITED.

		UNLESS OTHERWISE SPECIFIED:	NAME	DATE	Kozak Micro Adjusters			
		DIMENSIONS ARE IN INCHES TOLERANCES: FRACTIONAL $\pm 1/64$ ANGULAR: MACH $\pm$ BEND $\pm$ TWO PLACE DECIMAL $\pm .01$ THREE PLACE DECIMAL $\pm .005$	DRAWN	D.K.			10.09.12	
		INTERPRET GEOMETRIC TOLERANCING PER:	CHECKED	D.K.	10.24.12	TITLE: 1/4-254 Adjustment Knob		
		MATERIAL 303 Stainless Steel	ENG APPR.	D.K.	10.26.12			
		FINISH	MFG APPR.	G.K.	11.12.12			
NEXT ASSY	USED ON		Q.A.			SIZE	DWG. NO.	REV
APPLICATION		DO NOT SCALE DRAWING	COMMENTS:			<b>A</b>	KB250-254	<b>A</b>
			SCALE: 4:1	WEIGHT:	SHEET 1 OF 1			

5

4

3

2

1