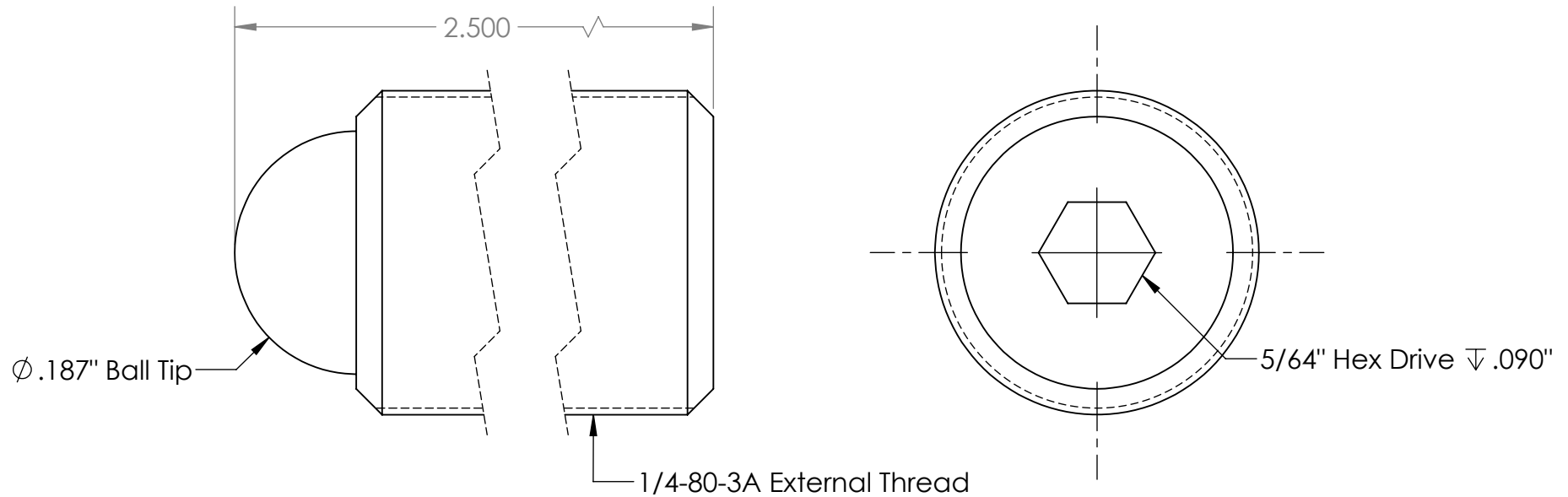


Scale: 3:2



PROPRIETARY AND CONFIDENTIAL
 THE INFORMATION CONTAINED IN THIS DRAWING IS THE SOLE PROPERTY OF KOZAK MICRO ADJUSTERS. ANY REPRODUCTION IN PART OR AS A WHOLE WITHOUT THE WRITTEN PERMISSION OF KOZAK MICRO ADJUSTERS IS PROHIBITED.

		UNLESS OTHERWISE SPECIFIED:	NAME	DATE	Kozak Micro Adjusters	
		DIMENSIONS ARE IN INCHES TOLERANCES: FRACTIONAL $\pm 1/64$ ANGULAR: MACH \pm BEND \pm TWO PLACE DECIMAL $\pm .01$ THREE PLACE DECIMAL $\pm .005$	DRAWN	D.K.		
		INTERPRET GEOMETRIC TOLERANCING PER:	CHECKED	D.K.	10.24.12	TITLE: 1/4-80 x 2.500" Adj. Screw
		MATERIAL 303 Stainless Steel	ENG APPR.	D.K.	10.26.12	
NEXT ASSY	USED ON	FINISH	MFG APPR.	G.K.	11.12.12	SIZE A
APPLICATION		DO NOT SCALE DRAWING	Q.A.		COMMENTS:	DWG. NO. TS250-80-2500-AA
						REV A
						SCALE: 8:1
						WEIGHT:
						SHEET 1 OF 1