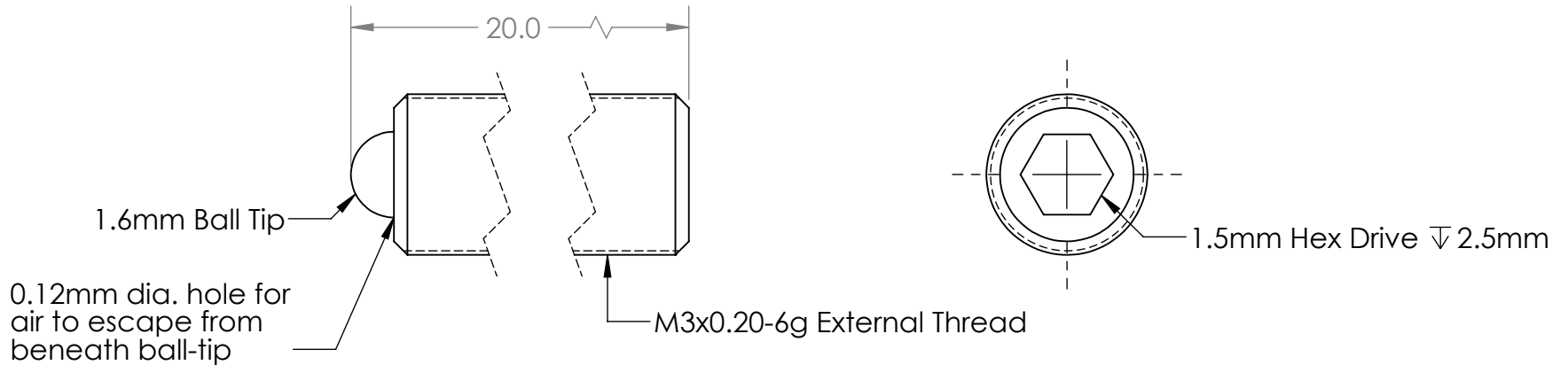


Scale: 4:1



PROPRIETARY AND CONFIDENTIAL
 THE INFORMATION CONTAINED IN THIS DRAWING IS THE SOLE PROPERTY OF KOZAK MICRO ADJUSTERS. ANY REPRODUCTION IN PART OR AS A WHOLE WITHOUT THE WRITTEN PERMISSION OF KOZAK MICRO ADJUSTERS IS PROHIBITED.

		UNLESS OTHERWISE SPECIFIED:		NAME	DATE	Kozak Micro Adjusters		
		DIMENSIONS ARE IN MILLIMETERS	DRAWN	D.K.	10.09.12	TITLE:		
		TOLERANCES:	CHECKED	D.K.	10.24.12	M3-0.20 x 20.0mm Adj. Screw		
		FRACTIONAL \pm	ENG APPR.	D.K.	10.26.12	SIZE	DWG. NO.	REV
		ANGULAR: MACH \pm BEND \pm	MFG APPR.	G.K.	11.12.12	A	TS3-20-20-HV	A
		ONE PLACE DECIMAL \pm .1	Q.A.			SCALE: 8:1	WEIGHT:	SHEET 1 OF 1
		TWO PLACE DECIMAL \pm .01	COMMENTS:					
		INTERPRET GEOMETRIC TOLERANCING PER:						
		MATERIAL						
		304 Stainless Steel						
		FINISH						
NEXT ASSY	USED ON							
APPLICATION		DO NOT SCALE DRAWING						

5

4

3

2

1