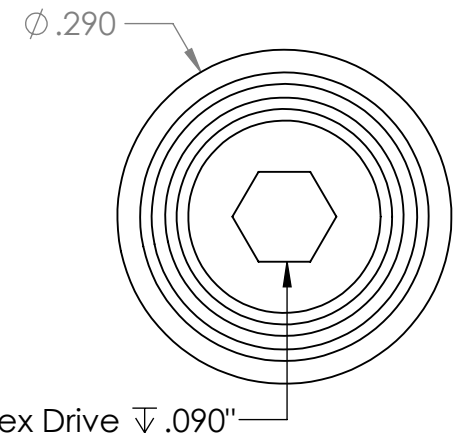
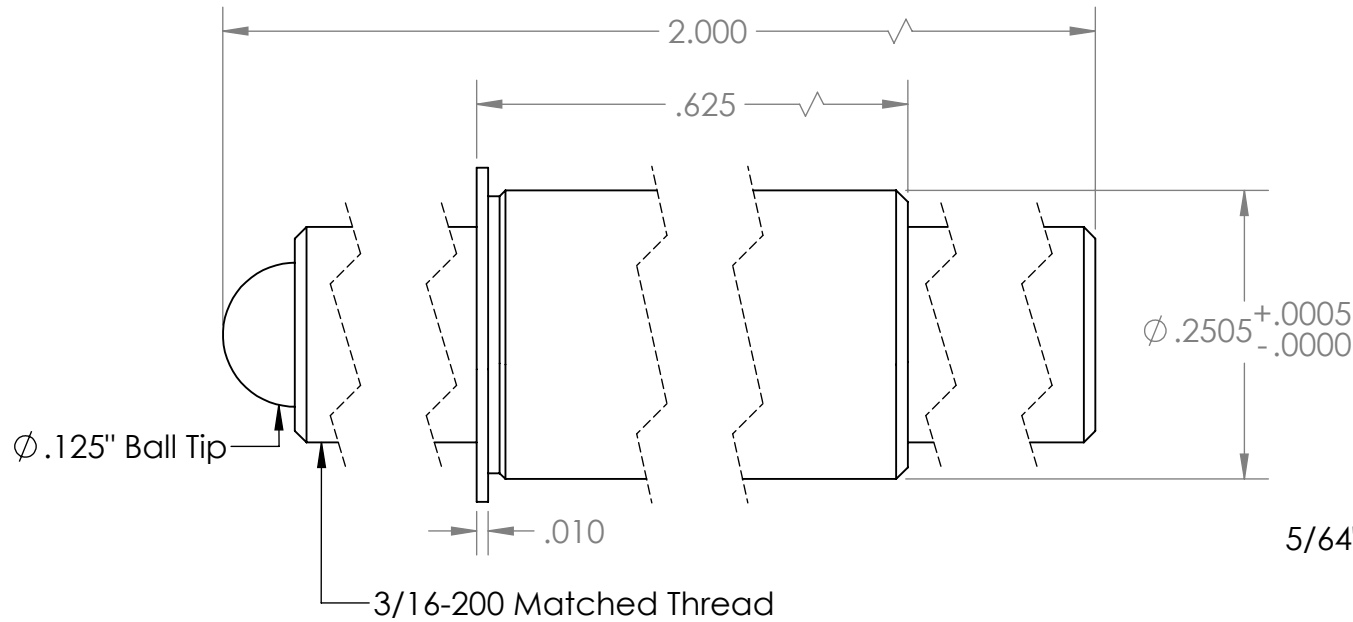


Scale: 2:1



PROPRIETARY AND CONFIDENTIAL
 THE INFORMATION CONTAINED IN THIS DRAWING IS THE SOLE PROPERTY OF KOZAK MICRO ADJUSTERS. ANY REPRODUCTION IN PART OR AS A WHOLE WITHOUT THE WRITTEN PERMISSION OF KOZAK MICRO ADJUSTERS IS PROHIBITED.

		UNLESS OTHERWISE SPECIFIED:	NAME	DATE	Kozak Micro Adjusters	
		DIMENSIONS ARE IN INCHES TOLERANCES: FRACTIONAL $\pm 1/64$ ANGULAR: MACH \pm BEND \pm TWO PLACE DECIMAL $\pm .01$ THREE PLACE DECIMAL $\pm .005$	DRAWN	D.K.		
		INTERPRET GEOMETRIC TOLERANCING PER:	CHECKED	D.K.	10.24.12	TITLE: 3/16-200 x 2.000" Adj. Screw & 0.625" Adj. Bushing
		MATERIAL 303 SS & 360 Brass	ENG APPR.	D.K.	10.26.12	
NEXT ASSY	USED ON	FINISH	MFG APPR.	G.K.	11.12.12	SIZE A DWG. NO. TSB187-200-2000/625 REV A
APPLICATION		DO NOT SCALE DRAWING	Q.A.		SCALE: 6:1 WEIGHT: SHEET 1 OF 1	
			COMMENTS:			