



ELEIKO GYM & FITNESS

BEST IN CLASS PRODUCTS FOR STRENGTH AND PERFORMANCE TRAINING



PERFORMANCE PARADIGM

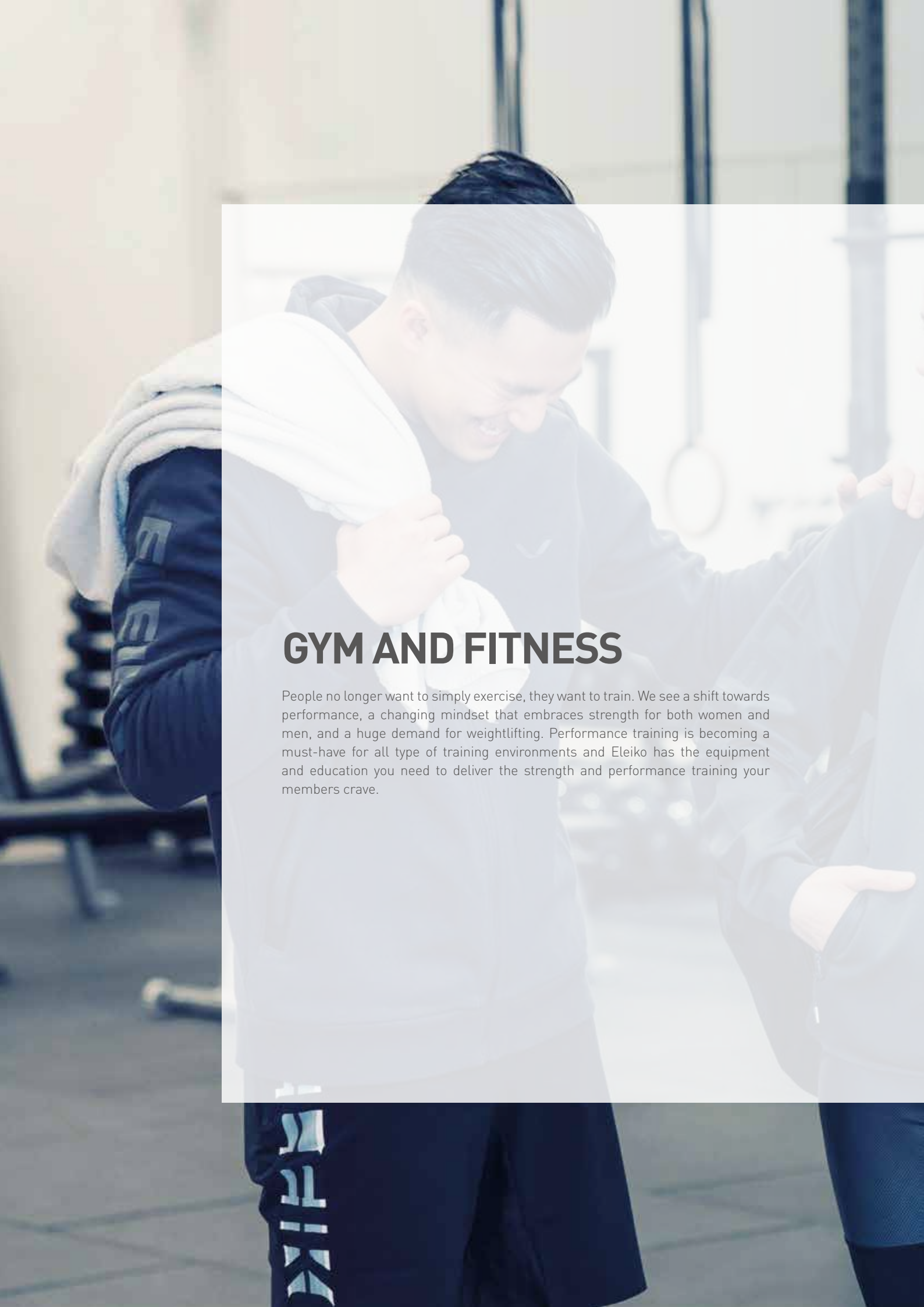
We believe the path to health and fitness lies in strength training. That your members are best transformed when engaging in measurable and proven strength training methods. We see enthusiasm for weightlifting and strength training in the general population like never before. People want strength programs and performance training opportunities in all types of environments, including health and fitness clubs. Our equipment and education offerings, coupled with our 60 years of expertise, make us ideally suited to help you capitalize on this opportunity.

We provide the world's finest strength equipment, a wide range of weightlifting, free weight and strength training tools for improving performance. In choosing Eleiko you give members the best possible equipment experience, the equipment of champions that performs and feels discernibly better. Our emphasis on quality means a lower cost of ownership and long product life, a fact demonstrated as customers proudly display equipment still in use decades after it has been delivered using #vintageeleiko. We stand behind what we build with the industry's strongest warranties and customer service. Our education programs are recognized for our content quality, the value gained from our technique driven hands-on approach and our emphasis on developing coaching skills. Our team of industry veterans with strong backgrounds in performance, weightlifting and strength training will work with you to get everything you need to outfit your facility.



CONTENT

GYM & FITNESS	4
THE WORLD'S MOST FAMOUS BAR	6
BARs, DISCS & PLATFORMS	8
CLASSIC LINE.....	10
DUMBBELLS.....	12
KETTLEBELLS	14
RIGS	16
RACKS & STORAGE	18



GYM AND FITNESS

People no longer want to simply exercise, they want to train. We see a shift towards performance, a changing mindset that embraces strength for both women and men, and a huge demand for weightlifting. Performance training is becoming a must-have for all type of training environments and Eleiko has the equipment and education you need to deliver the strength and performance training your members crave.

WE ARE WITH YOU ALL THE WAY FROM CONCEPT TO OPENING DAY



ANALYSIS

Based on your goals and criteria for success, we evaluate your facility plans to create a solution to optimize space, equipment access, and member satisfaction, ensuring a good return on your investment.



3D CONCEPT

Our team of experts bring your ideas and plans to life. Custom 3D layouts transform your equipment lists into dynamic floorplans and layouts, so you can get a complete and accurate picture of your project.



FINANCING

Bold ideas often require big investments, and the Eleiko team will work with you to find the appropriate financing solutions best suited for your individual needs.



INSTALLATION

Our team is committed to providing you with an outstanding customer service experience every step of the way, from developing concepts to meticulously installing your equipment and preparing your staff for opening day.



EDUCATION

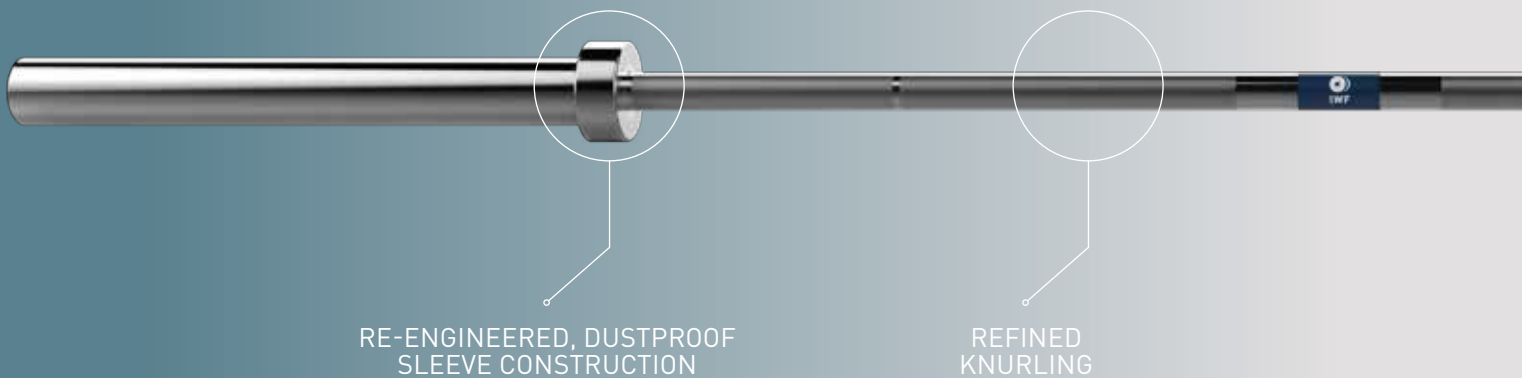
We offer a range of tools, learning opportunities and information to support your business. From product training to preparing your staff and developing effective strength programs, we help you maximise your equipment investment.



SERVICE

We are there to make sure that doesn't change. Our comprehensive service programs ensure each piece is performing as intended. With proper care you minimize downtime and keep your equipment performing well for years to come.

THE WORLD'S MOST



OPTIMAL ROTATION

The re-engineered sleeve construction is specifically designed to deliver a more stable and controlled rotation. The rotation is optimised for smooth performance under load giving lifters a more connected and precise experience.



LASTING PERFORMANCE

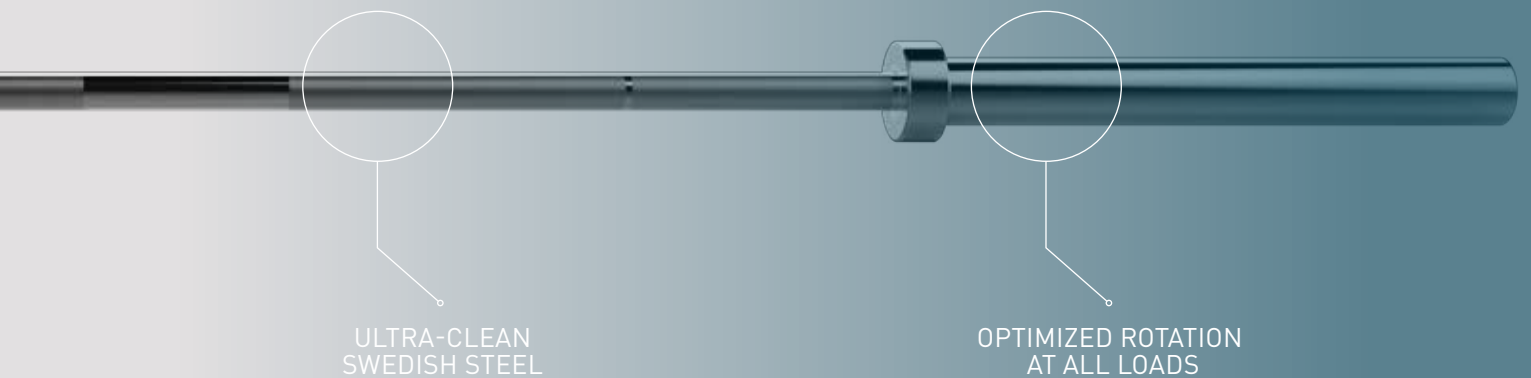
Redesigned bearings, improved greasing processes and a dust proof seal keeps critical parts well lubricated and operating at their best with minimal maintenance.



CLEAN GREEN SWEDISH STEEL

Our steel is pure ultra-clean steel, and now it is also green. Improved cleaner manufacturing processes reduce environmental impact while our bars retain their distinguishing characteristics; strength and flexibility. A winning combination.

OST FAMOUS BAR



REFINED KNURLING

"The Eleiko feeling", the feeling of an unbeatable grip, can be found in all our bars. The requirements for a fixed grip increase with the load and therefore the Eleiko Powerlifting Competition Bar has the roughest grip ensuring a secure hold on the bar.



STRONG YET FLEXIBLE

We enhanced the surface treatment and hardening process of our proprietary Swedish steel to make our bars even stronger without sacrificing the legendary flexibility that forms the foundation of the coveted "Eleiko feeling."



HANDCRAFTED WITH CARE

Skilled craftsmen meticulously build each bar ensuring they are completed to our exacting standards. Our bars are rigorously tested, their performance unmatched and our quality guaranteed.



BARS, DISCS & PLATFORMS



PRECISION AND PERFORMANCE WHEN IT COUNTS

We are uniquely certified by the IWF, IPF and World Para Powerlifting. Certified by the IWF in 1969, we earned our reputation for developing the industry's finest quality equipment through our exceptional design, functionality and performance. We have enjoyed being the sole VIP supplier to the IPF since 2009 providing athletes with equipment specifically designed for powerlifting such as stiffer bars with a sharper uncoated grip and thin discs ideal for heavy loads. Our passion for improving lives through athletic performance led Eleiko to take an active role in working with disabled athletes all over the world and we are thrilled to be the official supplier of the International Paralympics Committee and World Para Powerlifting.

LEARN MORE ABOUT OUR RANGE OF BARS AT ELEIKO.COM



ELEIKO IWF WEIGHTLIFTING COMPETITION DISC - 10 KG



ELEIKO IWF WEIGHTLIFTING COMPETITION DISC - 15 KG



ELEIKO IWF WEIGHTLIFTING COMPETITION DISC - 20 KG



ELEIKO IWF WEIGHTLIFTING COMPETITION DISC - 25 KG



ELEIKO IWF WEIGHTLIFTING TRAINING DISC - 10 KG



ELEIKO IWF WEIGHTLIFTING TRAINING DISC - 15 KG



ELEIKO IWF WEIGHTLIFTING TRAINING DISC - 20 KG



ELEIKO IWF WEIGHTLIFTING TRAINING DISC - 25 KG



ELEIKO SPORT TRAINING DISC - 10 KG, COLOURED



ELEIKO SPORT TRAINING DISC - 15 KG, COLOURED



ELEIKO SPORT TRAINING DISC - 20 KG, COLOURED



ELEIKO SPORT TRAINING DISC - 25 KG, COLOURED



ELEIKO SPORT TRAINING DISC - 10 KG, BLACK



ELEIKO SPORT TRAINING DISC - 15 KG, BLACK



ELEIKO SPORT TRAINING DISC - 20 KG, BLACK



ELEIKO SPORT TRAINING DISC - 25 KG, BLACK



ELEIKO XF BUMPER - 5 KG, BLACK



ELEIKO XF BUMPER - 10 KG, BLACK



ELEIKO XF BUMPER - 15 KG, BLACK



ELEIKO XF BUMPER - 20 KG, BLACK



ELEIKO VULCANO DISCS - 1,25-25 KG



ELEIKO IWF WEIGHTLIFTING TECHNIQUE DISC - 2,5 KG



ELEIKO IWF WEIGHTLIFTING TECHNIQUE DISC - 5 KG



ELEIKO WEIGHTLIFTING TECHNIQUE DISC - 2,5 KG



ELEIKO WEIGHTLIFTING TECHNIQUE DISC - 5 KG



ELEIKO IPF POWERLIFTING COMPETITION DISC - 10 KG



ELEIKO IPF POWERLIFTING COMPETITION DISC - 15 KG



ELEIKO IPF POWERLIFTING COMPETITION DISC - 20 KG



ELEIKO IPF POWERLIFTING COMPETITION DISC - 25 KG



ELEIKO WPP0 POWERLIFTING COMPETITION DISC - 10 KG



ELEIKO WPP0 POWERLIFTING COMPETITION DISC - 15 KG



ELEIKO WPP0 POWERLIFTING COMPETITION DISC - 20 KG



ELEIKO WPP0 POWERLIFTING COMPETITION DISC - 25 KG



ELEIKO WPP0 POWERLIFTING COMPETITION DISC - 50 KG



ELEIKO IWF WEIGHTLIFTING COMPETITION DISC - 0,5 KG FG



ELEIKO IWF WEIGHTLIFTING COMPETITION DISC - 1 KG FG



ELEIKO IWF WEIGHTLIFTING COMPETITION DISC - 1,5 KG FG



ELEIKO IWF WEIGHTLIFTING COMPETITION DISC - 2 KG FG



ELEIKO IWF WEIGHTLIFTING RUBBER COATED COMPETITION DISCS - 0,5-5 KG



ELEIKO IPF POWERLIFTING COMPETITION DISC - 0,25 KG



ELEIKO IPF POWERLIFTING COMPETITION DISC - 0,5 KG



ELEIKO IPF POWERLIFTING COMPETITION DISC - 1,25 KG



ELEIKO IPF POWERLIFTING COMPETITION DISC - 2,5 KG



ELEIKO IPF POWERLIFTING COMPETITION DISC - 5 KG



WPP0 COMPETITION CHANGE PLATES - 0,25-5 KG



ELEIKO IWF WEIGHTLIFTING TRAINING PLATFORM, 3 X 2,5M



ELEIKO IWF WEIGHTLIFTING WARM-UP PLATFORM, 3 X 2,5 M



ELEIKO PERFORMANCE PLATFORM, 2,4X2M - CHARCOAL/GREY



ELEIKO SVR PLATFORM - WEIGHTLIFTING



ELEIKO SVR PLATFORM - DEADLIFT



ELEIKO SVR PLATFORM - CLASSIC INSERT



ELEIKO INSERT PLATFORM FOR CLASSIC AND XF 80 HALF RACK - BLACK



ELEIKO INSERT PLATFORM FOR XF 80 POWER RACK - BLACK



CLASSIC LINE

CLEAN LINES, SMART DETAILS AND DURABLE CONSTRUCTION



CLASSIC OLYMPIC FLAT BENCH

POWERFUL PRESS

Designed with both user and facility in mind the bench combines user-friendly features with smart details to ensure safety and minimize maintenance. Bar hooks include a unique durable roller so athletes can shift the bar once weighted which also protects the bar and hooks. Integrated storage keeps weights conveniently at hand and the lifting area clutter free. Hidden bolt down holes maintains sleek appearance while providing added stability to ensure safety. The cushions are covered in a supple, durable synthetic leather and the piece has a smooth surface finish so it is easy to keep clean and maintain.

CLASSIC OLYMPIC INCLINE BENCH

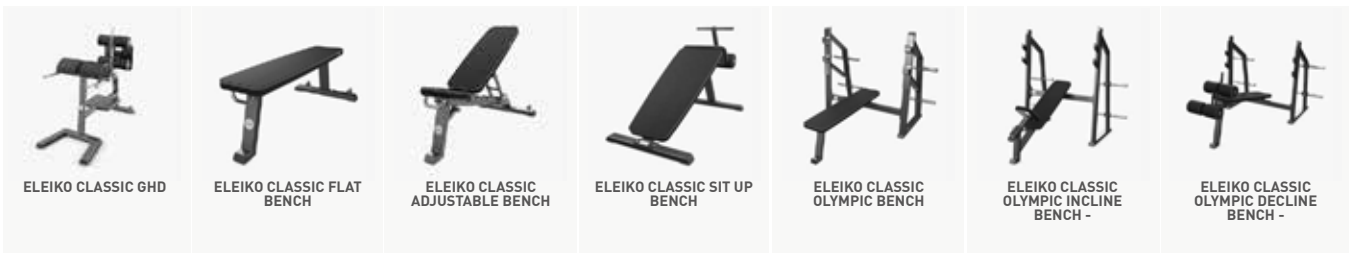
ADJUSTABLE ADVANTAGE

The Eleiko Classic Olympic Incline Bench supports training from a different angle, changing the muscles emphasised and ensuring well-rounded strength. Several bar hooks and integrated plastic rollers for side to side adjustments allow users to find their best position, as does the adjustable seat. Integrated storage with rubber stoppers keep weights conveniently at hand and the lifting area clutter free. Hidden bolt down holes maintains sleek appearance while providing added stability to ensure safety.

CLASSIC OLYMPIC DECLINE BENCH

ADJUSTABLE ADVANTAGE

Eleiko's Classic Olympic Decline Bench effectively trains the chest from a different angle, changing the muscles emphasised and ensuring well-rounded strength. Bar hooks include a unique durable roller so athletes can shift the bar once weighted and rollers protect the bar and hooks as well. Two hook heights and adjustable rollers that allow lifters to find their appropriate position. Chrome storage pins with rubber stoppers keep weights conveniently at hand and the lifting area clutter free.





**CLASSIC
SEAL ROW BENCH**

BUILD BACK STRENGTH

Designed with both user and facility in mind the bench combines user-friendly features with smart details to ensure safety and minimize maintenance. Bar hooks include a unique durable roller so athletes can shift the bar once weighted which also protects the bar and hooks. Integrated storage keeps weights conveniently at hand and the lifting area clutter free. Hidden bolt down holes maintains sleek appearance while providing added stability to ensure safety. The cushions are covered in a supple, durable synthetic leather and the piece has a smooth surface finish so it is easy to keep clean and maintain.

**CLASSIC
HALF RACK**

TIMELESS DESIGN

The Eleiko Classic Line Half Rack is a versatile piece with a user-friendly design and built-in safety features. The safety arms are easily adjustable at 35 mm increments with numbered holes to facilitate easy operation and accommodate a variety of lifters. The affixed design of the safety arms and j-cups ensures users have the proper safety tools in place while lifting. Band attachments and chin up bar attachments support a range of training needs and integrated bar and plate storage keeps weights and bars conveniently accessible.

**CLASSIC
SMITH MACHINE**

MULTIPURPOSE STRENGTH

The Eleiko Classic Line Smith Machine is a straight frame smith machine with a 15 kg barbell that features smooth operation for a wide range of athletes. Precision bearings and a barbell that is optimised for this application ensure an exceptional lifting experience. The machine supports a wide range of exercises including squats, lunges, calf raises and a variety of pressing movements and is compatible with a flat or adjustable bench.



ELEIKO KETTLEBELLS

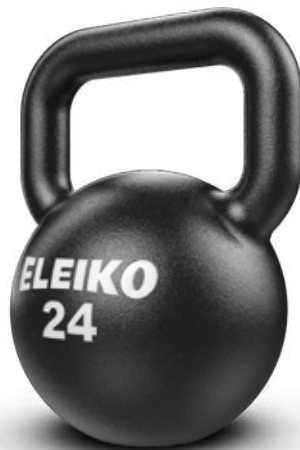
A WELL-CONSTRUCTED TOOL FOR DYNAMIC STRENGTH MOVEMENTS AND FUNCTIONAL FITNESS



TRAINING KETTLEBELLS

A durable, well-balanced high-grade cast iron kettlebell with a wide flat base for stability. Kettlebell size and diameter varies depending on the weight and is calibrated for accuracy.

The kettlebells are double moulded with a consistent texture across the entire surface that holds chalk well and ensures a good grip. A surface treatment maximizes durability and ensures kettlebells stand up to the demands of hard training.



DESIGNED FOR

Dynamic training for gaining strength, mobility and cardiovascular benefit

VARIED GRIP

Grip diameters and size vary but always allow for a double handed hold

RUGGED AND READY

Durable surface finish resistant to high impact and holds chalk for good grip

STEADY AND SECURE

Easy to grip mildly textured handle and wide flat base for better control

RELIABLE CONSISTENCY

Double moulded cast iron construction only deviates +/- 3%





COMPETITION KETTLEBELLS

With a focus on performance, our competition kettlebells use high-grade iron and a moulded construction for exceptional durability.

The kettlebells are carefully calibrated for competitive use and designed in collaboration with Girevoy athletes. Each kettlebell features a wide flat base for stability and easy to grip, non-corrosive stainless steel handle with a subtle texture designed to hold chalk and improve control of the kettlebell



DESIGNED FOR

Competitive kettlebell lifting and dynamic strength training

CONSISTENT SIZE

Constant base diameter, height and handle size regardless of weight, lets users develop and apply consistent technique as strength grows.

STEADY AND SECURE

Easy to grip stainless steel handle and wide flat base for better control

CAREFULLY CALIBRATED

Cast iron construction calibrated to within +/- 200 g



ELEIKO DUMBBELLS

WHOLE BODY FREE WEIGHT STRENGTH AND FUNCTIONAL TRAINING



VULCANO DISC DUMBBELLS

- 35 mm grip
- FAT GRIP 50 mm
- Rotating handle
- 11–70 kg
- Eleiko knurling for a strong grip



VULCANO DUMBBELLS

- 35 mm grip
- Fixed handle
- Sloped knurled chromed steel handles
- 1–40 kg
- Durable odour free Polyurethane



XF DUMBBELLS

- Hexagonal shape
- 35 mm grip
- Fixed handle
- Sloped knurled chromed steel handles
- 1 – 40 kg



60 YEARS OF STRENGTH IN ONE DUMBBELL MEET EVO

We emphasized durability in design and materials selection, included features to promote safety and tested the dumbbells thoroughly. Inspired by our legacy in lifting, we use Eleiko barbell steel, apply our knurling expertise and offer both rotating and fixed handle options to deliver our signature Eleiko Feeling and provide a great experience for the lifters and peace of mind for the operator.

DESIGNED TO PERFORM. BUILT TO LAST.

- Ultra durable Polyurethane
- Eleiko dumbbell knurling
- Eleiko barbell steel
- Unique bearing design
- 14-sided ergonomic sloped head





ROBUST MATERIALS. PRECISELY ENGINEERED. FINISHED TO PERFECTION. BUILT TO PERFORM.

When we build a rig, we build it to last. We build it to perform. Our goal is simple. Add value to your business. We aim to create something that exceeds your expectation. To install a rig that delivers a great experience year after year, problem free. To give you support, advice and the benefit of our extensive expertise to design a rig that helps your business grow.

The beauty of an XF 80 Rig is the versatility. They create highly adaptive spaces with many uses for members and trainers alike. And we show you how to use them. We provide your team with online product training and have a rich education offering so that you can get the most from your investment, effectively utilizing every inch of your rig.

Rigs can be an incredible focal point in any space, it's the wow moment on the tour to attract members who are looking for exciting programming.

LET US CUSTOMISE YOUR PERFECT RIG

We use five key considerations when determining what type of rig is right for you, your facility and members;



For example free standing rigs double the number of bays, while wall mounted units offer space efficiency. Once you've built a strong foundation, it's time to really make it shine. Select from our clever attachments and storage components to create a training space optimised for your needs. Make it a social and engaging space, a playground for your members to train and connect. Then make sure it reflects your brand.

LEARN MORE ABOUT RIGS IN OUR ELEIKO PAPER "DESIGNING A RIG THAT IS RIGHT FOR YOUR MEMBERS AND YOUR FACILITY" AT ELEIKO.COM



Visit eleiko.com or contact your local sales rep today to get started on your project designing the custom Eleiko XF80 Rig for your facility and members.



LEGS IN 4 DIFFERENT HEIGHTS

Select freestanding or wall mounted legs in 4 different heights, mix and match so it fits your facility. the legs are Made from 3 mm square tubing which is welded with high quality surface finish.

HEIGHTS:

- 2,4 m
- 2,7 m
- 3,3 m
- 3,9 m



PULLUP SECTIONS AND SQUAT STANDS

Equip your rig with pullup bars, monkey bars and squat stands.

- Crossbar - 1,1 m and 1,72 m
- Muscle ups bars - 1,1 m and 1,72 m
- Crossbar Incline decline - 1,72 M



ADD-ONS CUSTOMIZE TO MEET YOUR NEEDS

A selection of our add-ons.

- DS Balk for muscle ups
- Dips Module
- adjustable pullup bar
- Wall Ball plate
- J-Cups
- Storage for bars
- Bracket Loop for battle rope
- Safety Arms
- Rubber Band Attachments
- Trawler for roman rings



STORE YOUR EQUIPMENT

We offer practical storage for your bars, discs, kettlebells and wall balls.

- Weight disc storage
- Weight rack
- Kettlebell rack
- Dumbbell rack
- Ball rack



CUSTOMIZE COLOURS

Legs, crossbars and trawlers are available in different colours to fit the rest of the interior in your facility.

- Galvanized (outdoor)
- Bariton 1 (light gray)
- Bariton 2 (dark gray)
- Sky Blue
- Ultramarine Blue
- Water Blue
- SuLfur Yellow
- Zinc Yellow
- Pure Orange
- Traffic Red
- White
- Customized



RACKS & STORAGE

We offer practical storage for all your equipment, to effectively use your gym area for training.



ELEIKO SQUAT STANDS



ELEIKO IPF SQUAT STAND/BENCH - CHARCOAL



ELEIKO CLASSIC SMITH MACHINE



ELEIKO CLASSIC HALF RACK



ELEIKO XF 80 DOUBLE HALF RACK - BLACK



ELEIKO XF 80 DOUBLE HALF RACK FRAME - BLACK



ELEIKO XF 80 POWER RACK - BLACK



ELEIKO XF 80 HALF RACK HYBRID, J-CUPS, SAFETY ARMS, DIPS, PULL-UP - BLACK



ELEIKO XF 80 HALF RACK HYBRID WITH SAFETY ARMS - BLACK



ELEIKO XF 80 HALF RACK HYBRID - BLACK



ELEIKO XF 80 HALF RACK WITH PULL-UP, J-CUPS, SAFETY ARMS, DIPS - BLACK



ELEIKO XF 80 HALF RACK WITH PULL-UP, J-CUPS - BLACK



ELEIKO XF 80 HALF RACK WITH CROSSBAR - BLACK



ELEIKO PULL AND JERK BOXES



ELEIKO EVO VERTICAL DUMBBELL RACK 1-10 KG



ELEIKO CUSTOMIZED STORAGE



ELEIKO EVO DUMBBELL STORAGE



ELEIKO WEIGHTLIFTING COMPETITION DISC RACK - CHARCOAL



ELEIKO WEIGHTLIFTING WARM-UP DISC RACK - CHARCOAL



ELEIKO WEIGHTLIFTING TRAINING DISC RACK - CHARCOAL



ELEIKO POWERLIFTING DISC RACK - CHARCOAL



ELEIKO Wppo POWERLIFTING COMPETITION DISC RACK - CHARCOAL



ELEIKO Wppo POWERLIFTING WARM-UP/TRAINING DISC RACK - CHARCOAL



ELEIKO CLASSIC WEIGHTLIFTING TECHNIQUE DISC RACKS



ELEIKO CLASSIC VERTICAL DISC RACK



ELEIKO CLASSIC HORIZONTAL BAR RACK



ELEIKO VERTICAL BAR RACK



ELEIKO COLLAR STORAGE FOR HORIZONTAL BAR RACK - CHROMED



ELEIKO CLASSIC KETTLEBELL RACKS



ELEIKO CLASSIC DUMBBELL RACKS



ELEIKO CLASSIC VULCANO FIXED WEIGHT BARBELL RACKS



ELEIKO XF DUMBBELL RACKS



ELEIKO VERTICAL XF DUMBBELL RACKS



ELEIKO XF STORAGE ASSEMBLIES



ELEIKO ROLLING STORAGE PAIR - BLACK



ELEIKO CLASSIC BALANCE BALL RACKS



ELEIKO MEDICINE BALL RACK



ELEIKO CLASSIC BALANCE BALL BRACKETS



ELEIKO CLASSIC WALL MOUNTED BALANCE BALL RACKS



ELEIKO WALL MOUNTED BAR RACK - CHROMED



ELEIKO VERTICAL CLASSIC DUMBBELL RACK

“The ‘Eleiko Feeling’ is something frequently associated with our bars, but to me, it is bigger than that. It’s what we strive for in all our products and best achieved by keeping the user experience at the heart of everything we do.”

ERIK BLOMBERG, ELEIKO CEO



**WE WORK TO MAKE PEOPLE
STRONGER SO THEY CAN PERFORM
BETTER IN SPORTS AND IN LIFE**



ELEIKO

RAISE THE BAR



WORLD CLASS FITNESS SOLUTIONS: MIDDLE EAST DISTRIBUTOR

✉ INFO@MEFITPRO.COM ☎ +971 4 323 3232 🌐 WWW.MEFITPRO.COM