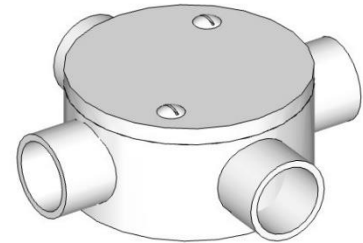


# DATASHEET – CONDUIT DOT PRO 3W



## OVERVIEW

Conduit dot is system and architectural fitting based around the widely used galvanised metal conduit. The Pro range provides a plug and play system that can be installed on site. The fixtures replace existing junction boxes but functions in a similar way standard conduit.

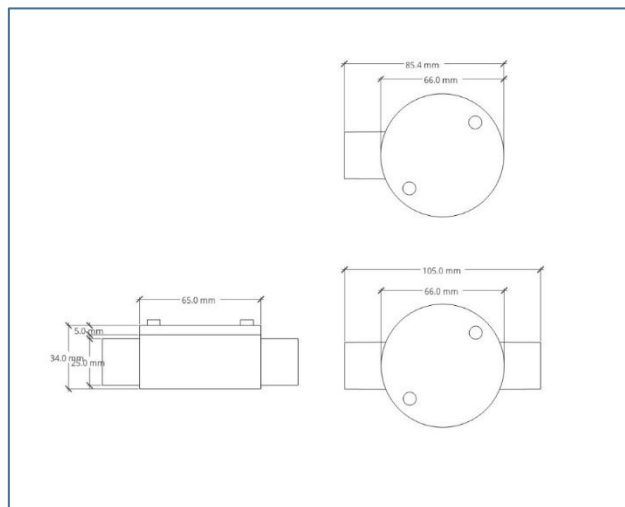
## TYPICAL APPLICATIONS

- Commercial and Residential Architectural Lighting
- Decorative and Entertainment spaces
- Indoor/Outdoor
- Bar and Retail designs
- Signage

## TECHNICAL SPECIFICATION

### Conduit Dot 3W

Forward Voltage Vf	3.5V
Constant Current Icc	700mA
Weight	0.3 Kg
Conduit Size	M20x1.5 (20mm)
Input cable	1m
Link output cable	0.12m
CRI	>77
Luminosity 1W	200lx @ 500mm
Colour Temp Typ.	WW 2700-2800K CW 4500-5650K



### D8-700 Driver

Input Voltage	100 – 240Vac 50/60Hz
Drives	1-2 Dots
Dimensions (D8 700)	80 x 30 x 25
Dimensions (D8 700-Galv)	100 x 150 x 50
Input cable dia	8mm -4mm
Dimmable	NO

### D25-700 Driver

Input Voltage	100 – 240Vac 50/60Hz
Drives	3-9 Dots
Dimensions (D16)	80 x 30 x 25
Dimensions (D16-Galv)	100 x 150 x 50
Input cable dia	8mm -4mm
Dimmable	NO

## D35-700 Driver

Input Voltage	100 – 240Vac 50/60Hz
Drives	4-12 Dots
Dimensions (D35 - 700)	80 x 30 x 25
Dimensions (D35-700- Galv)	100 x 150 x 50
Input cable dia	8mm -4mm
Dimmable	NO

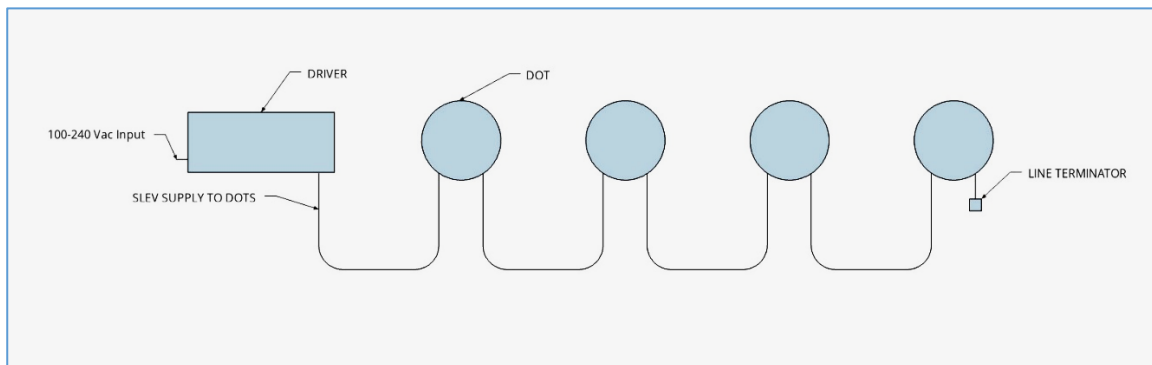
## DETAILED DESCRIPTION

Each system comprises of a driver unit with at least four of conduit dots. All devices are connected via two core cable supplied with connectors, with each dot having a link though connector. Individual systems can have between 4 to 30 dots from one driver. Care must be taken to select a suitable driver, note larger drivers have minimum dot values.

Driver	Number 3W Dots	
<b>D8-700</b>	1 to 2	
<b>D25-700</b>	3 to 9	
<b>D35-700</b>	4 to 12	

Each dot had 1m of cable on the input. The link though is local to the box and I typically located in the end of the conduit to avoid shadowing the lens. Extension cables are available as required (see accessories).

Each dot system is powered via a D-series driver. Connecting to the Dots is via miniature 2 pole connectors. From the driver each dot link to the next with a 1m tail. Extension cables are available for larger spacing. The end of the run is then terminated with a line terminator plug, supplied with the driver.



To help with larger system there is a splitter accessory. This enables a Y-split in the wiring. All lines must be terminated for the system for function correctly. An additional terminator is included with each splitter. Note high numbers of splits in a system can increased to complexity of fault troubleshooting.

The drivers are available in either a galvanised enclosure or as an un-housed driver. The driver can be located at up to 40m from the first dot.

### Galvanised Enclosure Driver

The enclosure is supplied with a 20mm conduit coupler and bush for the LED side and a brass gland for the power supply cable. Knock outs are provided for cable entry location. Main input is via internal terminal block.

## Un-Housed Driver

Basic driver unit. Typically located in ceiling void. Supplied with LV connector for the LED side and enclosed terminal box for the mains.

## ORDER CODES

### Conduit Dots

Code	Description	Source
CD3WW-0	Rear Entry Box	3W Warm White
CD3WW-1	1 Way End Box	3W Warm White
CD3WW-2T	2 Way Thru Box	3W Warm White
CD3WW-2E	2 Way Elbow Box	3W Warm White
CD3WW-3T	3 Way Tee Box	3W Warm White
CD3WW-4x	4 Way Crossover Box	3W Warm White
CD3CW-0	Rear Entry Box	3W Cool White
CD3CW-1	1 Way End Box	3W Cool White
CD3CW-2T	2 Way Thru Box	3W Cool White
CD3CW-2E	2 Way Elbow Box	3W Cool White
CD3CW-3T	3 Way Tee Box	3W Cool White
CD3CW-4x	4 Way Crossover Box	3W Cool White

### Drivers

CODE	DESCRIPTION
D8 700-Galv	8W Driver Galvanised Enclosure
D8 700	8W Driver NO enclosure
D25 700-Glav	25W Driver Galvanised Enclosure
D25 700	25W Driver NO enclosure
D35 700-Glav	35W Driver Galvanised Enclosure
D35 700	35W Driver NO Enclosure

### Accessories

CODE	DESCRIPTION
Ext-0.5	0.5m Led extension cable
Ext-1	1m Led extension cable
Ext-2	2m Led extension cable
Ext-5	5m Led extension cable
Ext-10	10m Led extension cable
Ext-20	20m Led extension cable
TERM	End of run terminator

## CONTACT

Atom Herders Ltd  
[hello@atomherders.co.uk](mailto:hello@atomherders.co.uk)