



Wiring diagrams for Battery Disconnects - P/N 46200, 46205, 46215 & 46220

2-Terminal

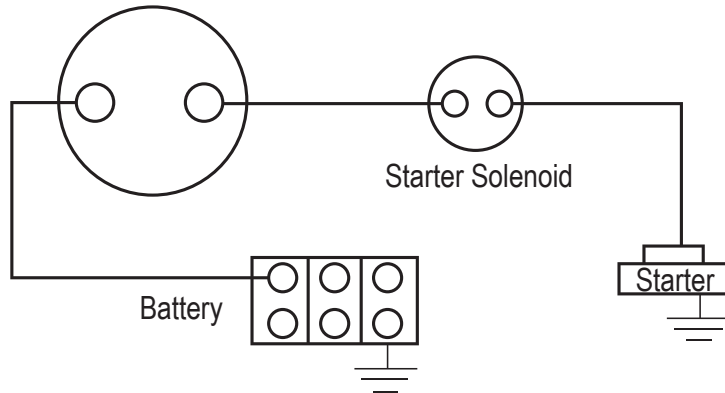


Diagram shown is the most commonly used for wiring the master disconnect switch.

Master Disconnect Switch without alternator

Disconnect battery circuit only. Does not disconnect alternator or generator field circuit. When used with an alternator, the engine should be stopped before switching to the OFF position to prevent possible alternator diode failure.

4-Terminal

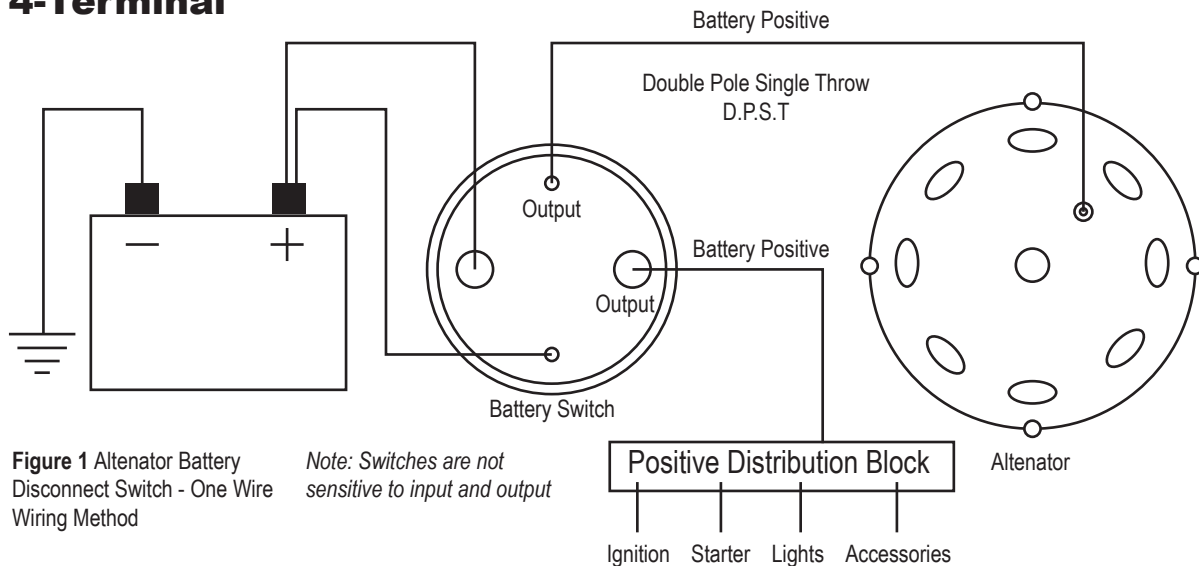


Figure 1 Alternator Battery Disconnect Switch - One Wire Wiring Method

Note: Switches are not sensitive to input and output

Accelerating Performance

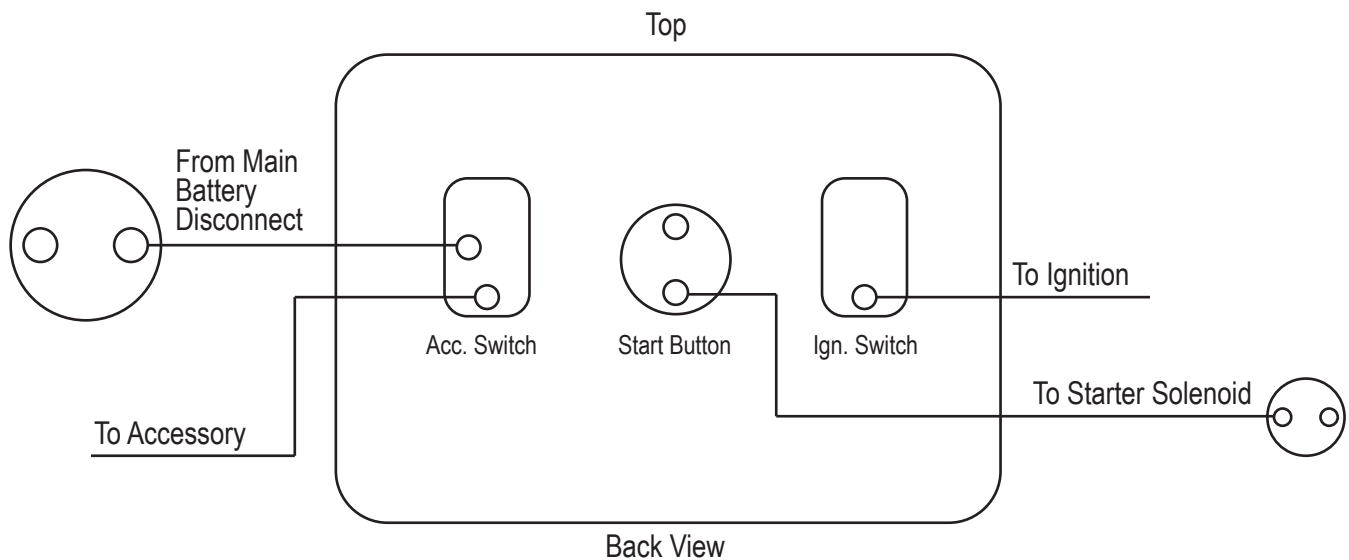


Switch Panel Assembly Ignition/Start/1-Accessory P/N 46100

Switch Panel Assembly wiring diagram

WARNING! This switch panel is wired so all functions are always HOT!

Always turn off the main battery disconnect when working in or around your car. It is best to always keep the main battery switch OFF at all times the car is not running.



Accelerating Performance

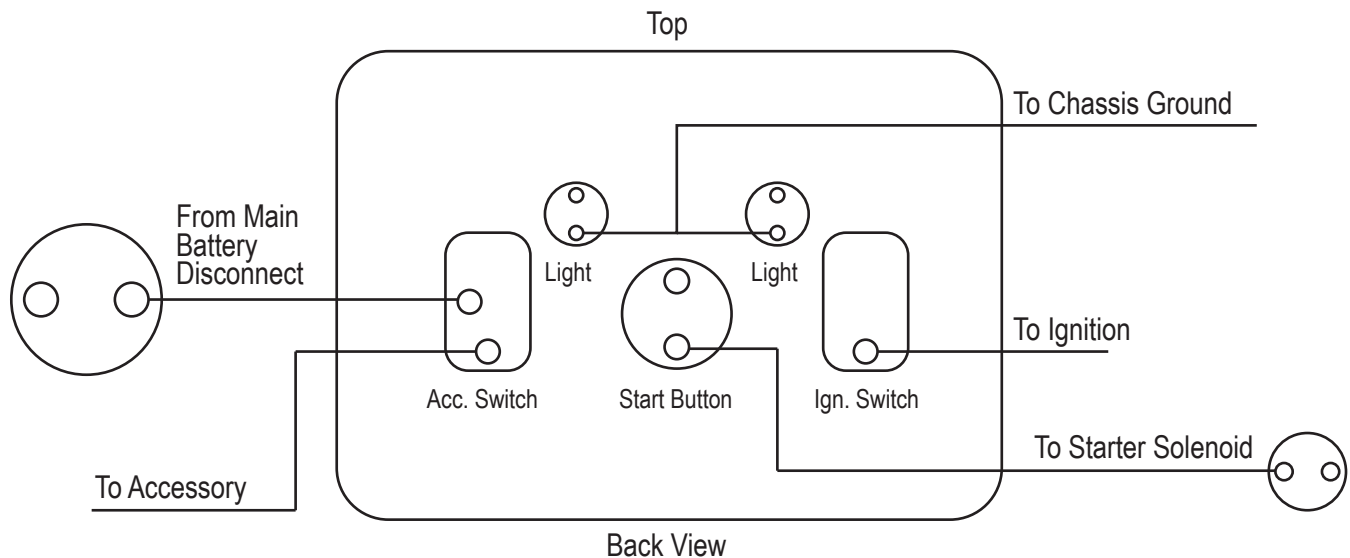


Switch Panel Assembly Ignition/Start/1-Accessory with Lights - P/N 46105

Switch Panel Assembly wiring diagram

WARNING! This switch panel is wired so all functions are always HOT!

Always turn off the main battery disconnect when working in or around your car. It is best to always keep the main battery switch OFF at all times the car is not running.



Accelerating Performance

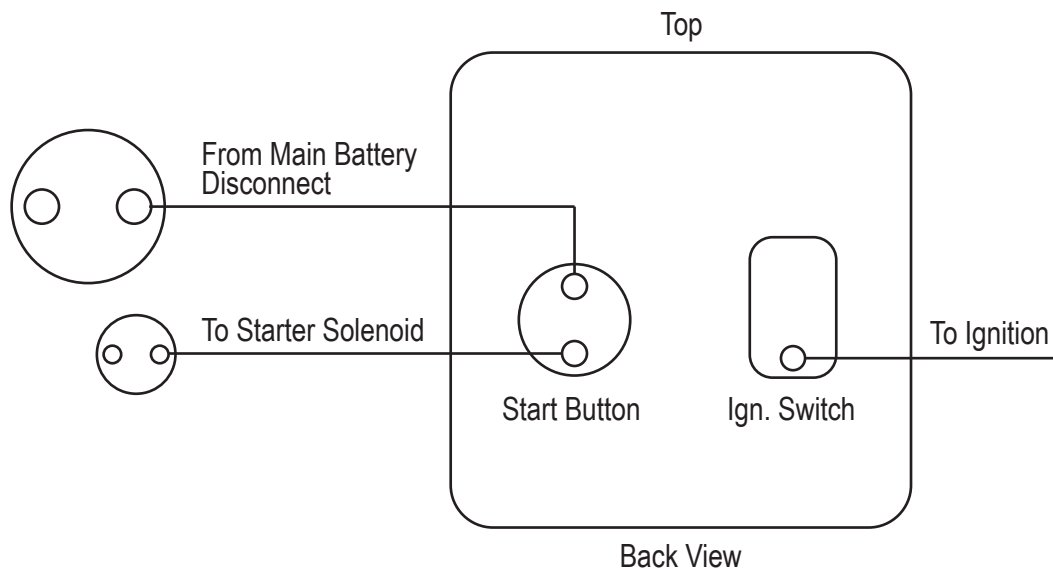


**Switch Panel Assembly
Ignition/Start
P/N 46110**

Switch Panel Assembly wiring diagram

WARNING! This switch panel is wired so all functions are always HOT!

Always turn off the main battery disconnect when working in or around your car. It is best to always keep the main battery switch OFF at all times the car is not running.



Accelerating Performance

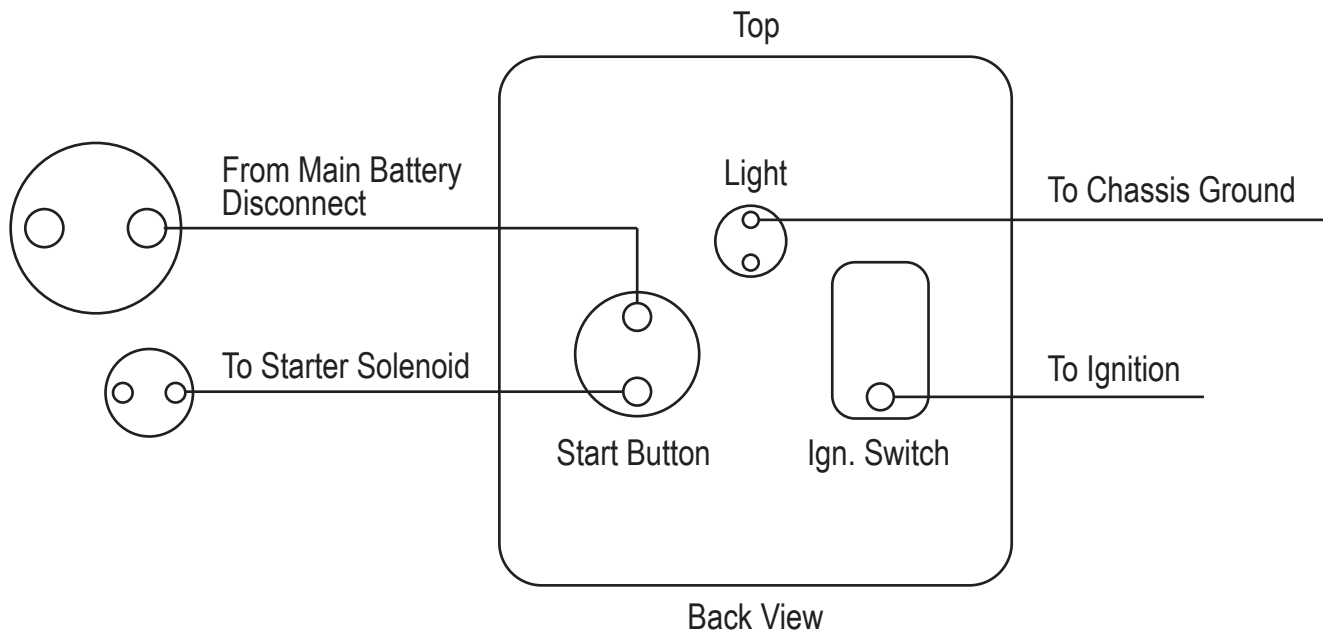


Switch Panel Assembly Ignition/Start with Lights P/N 46115

Switch Panel Assembly wiring diagram

WARNING! This switch panel is wired so all functions are always HOT!

Always turn off the main battery disconnect when working in or around your car. It is best to always keep the main battery switch OFF at all times the car is not running.



Accelerating Performance

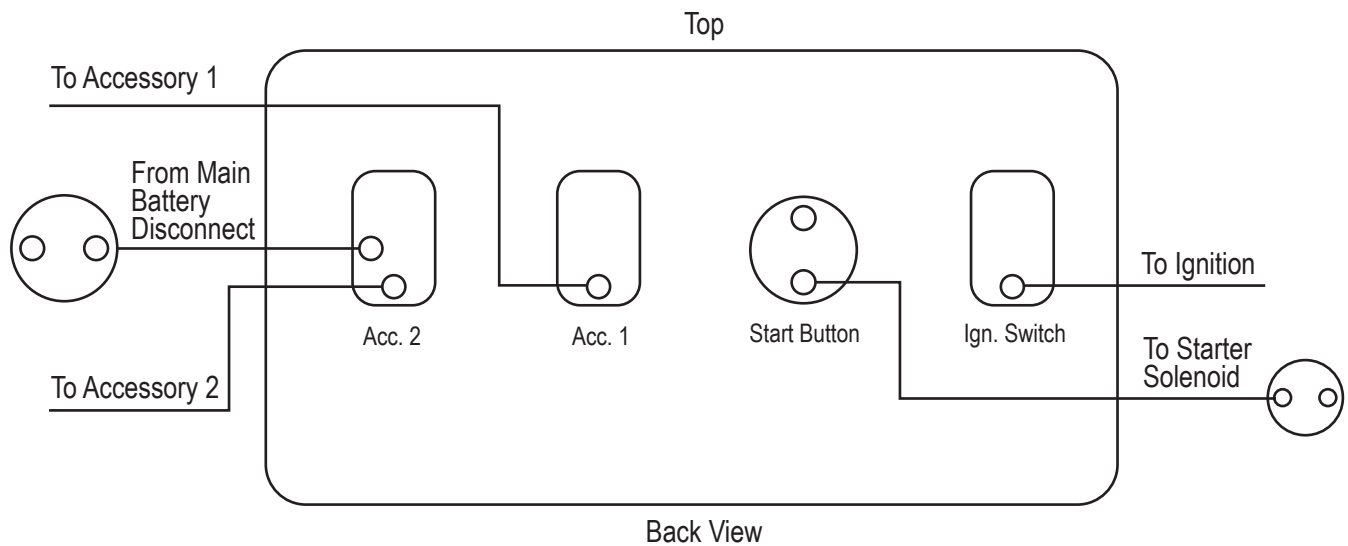


Switch Panel Assembly Ignition/Start/2-Accessory P/N 46120

Switch Panel Assembly wiring diagram

WARNING! This switch panel is wired so all functions are always HOT!

Always turn off the main battery disconnect when working in or around your car. It is best to always keep the main battery switch OFF at all times the car is not running.



Accelerating Performance

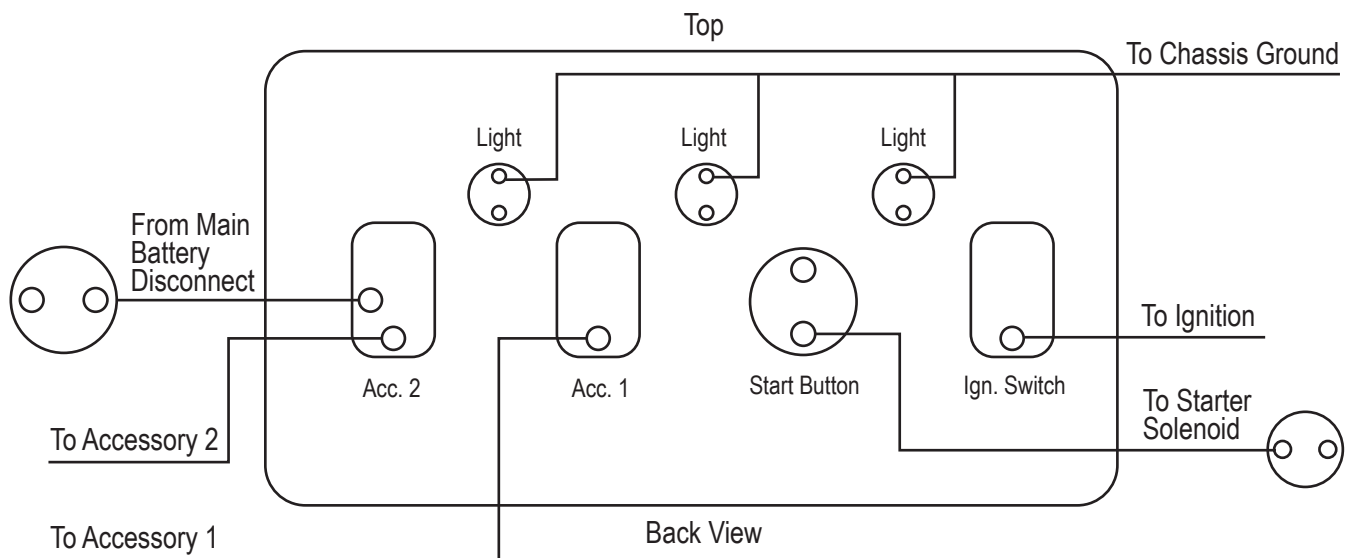


Switch Panel Assembly Ignition/Start/2-Accessory with Lights - P/N 46125

Switch Panel Assembly wiring diagram

WARNING! This switch panel is wired so all functions are always HOT!

Always turn off the main battery disconnect when working in or around your car. It is best to always keep the main battery switch OFF at all times the car is not running.



Accelerating Performance

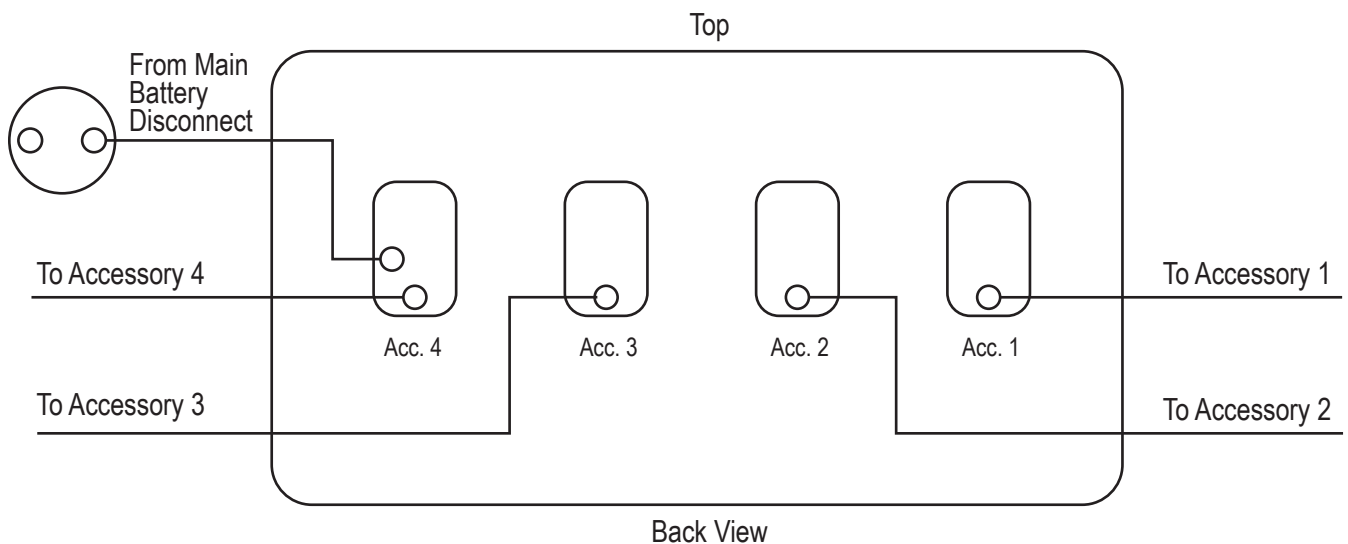


**Switch Panel Assembly
4-Accessory
P/N 46130**

Switch Panel Assembly wiring diagram

WARNING! This switch panel is wired so all functions are always HOT!

Always turn off the main battery disconnect when working in or around your car. It is best to always keep the main battery switch OFF at all times the car is not running.



Accelerating Performance

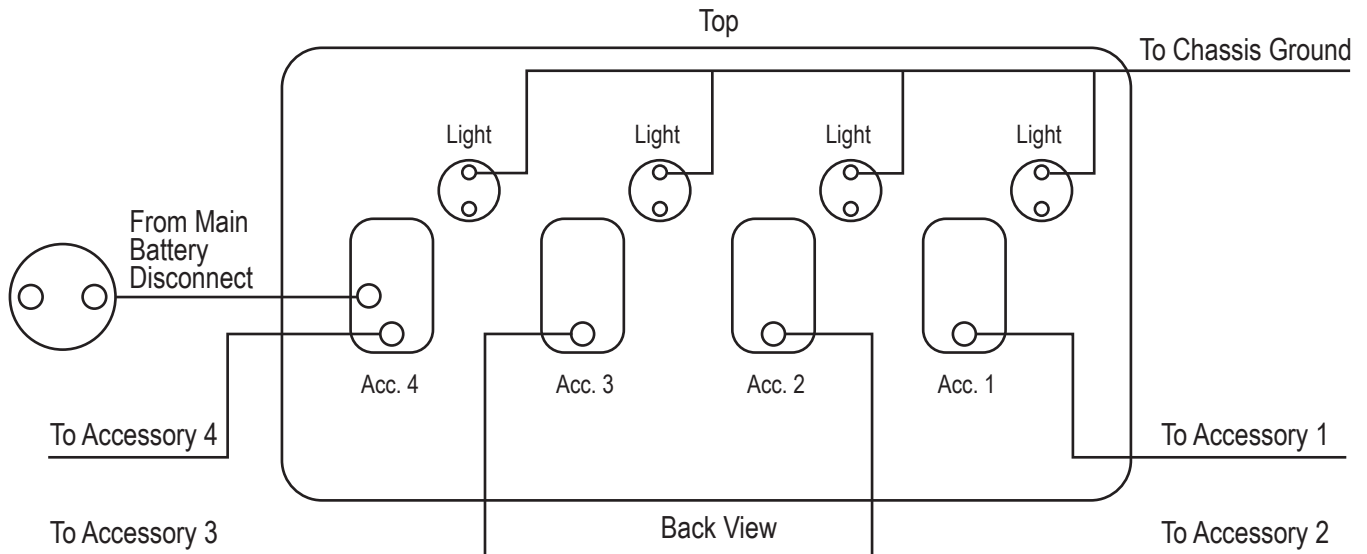


Switch Panel Assembly 4-Accessory with Lights P/N 46135

Switch Panel Assembly wiring diagram

WARNING! This switch panel is wired so all functions are always HOT!

Always turn off the main battery disconnect when working in or around your car. It is best to always keep the main battery switch OFF at all times the car is not running.



Accelerating Performance