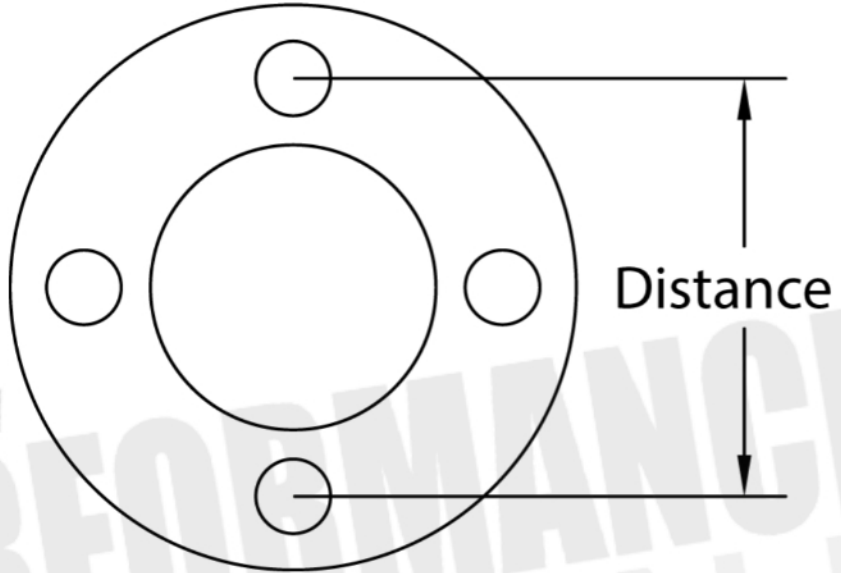
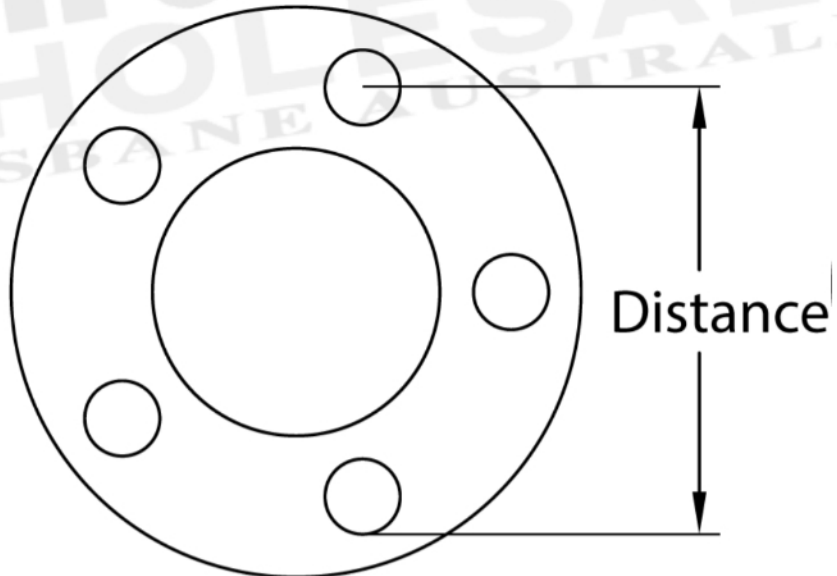


how to measure your vehicles bolt circle

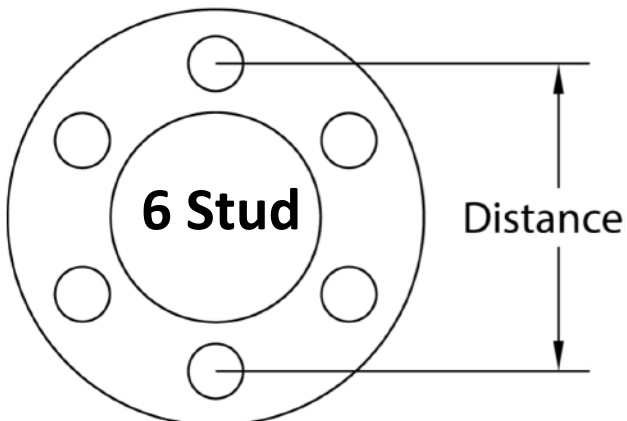
**4 Stud**



**5 Stud**



**6 Stud**



**8 Stud**

