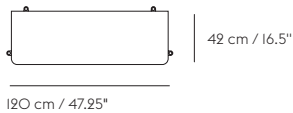




COMPILE SHELVING SYSTEM

CECILIE MANZ ON THE DESIGN “Storage is important because it is so universal: everybody needs good solutions. The inspiration for the assignment was indeed the everyday storage situation. The design, with its logical construction, parallels to a certain degree an unpretentious Scandinavian lifestyle - one shelf represents one building unit while the length of the tube defines the shelf height. In this simple way one can assemble practical formations that fit individual needs - Compile should reflect and accommodate to the life it is a part of.”

SHELF



Storage surface:
D: 40 cm / 15.75"
W: 115 cm / 45.25"

DIVIDERS



ESSENTIALS



Grey Black White

DESIGNED BY / YEAR OF DESIGN

Cecilie Manz / 2016

ABOUT THE DESIGNER

Cecilie Manz graduated from the design school Danmarks Designskole in Copenhagen in 1997 with additional studies at the University of Art and Design in Helsinki; Cecilie Manz founded her own design studio in Copenhagen in 1998. Here, Cecilie Manz has established herself as one of Denmark's most prominent designers. Her work within furniture, glass, lighting and ceramics has achieved international success and is sold and exhibited all over the world.

CATEGORY

Customizable shelving system

ENVIRONMENT

Indoor

COUNTRY OF PRODUCTION

Poland

PREASSEMBLED

No

DESCRIPTION

A contemporary take on the classic shelving system. Compile consists of a shelf and three heights of dividing tubes. Arrange the shelves and tubes as you please or order from the prearranged configurations.

PRODUCTION PROCESS

Shelves are made from laser cut steel sheets, bent to form, and then coated with high quality powder coating. This coating gives the shelves a matt, abrasionresistant and fingerprint-insensitive surface.

MATERIAL

Powder coated steel

CLEANING AND CARE

Remove dust from shelves with a soft cloth.

WEIGHT & HEIGHT LIMITS

Compile systems should always be mounted to a wall, using wall brackets. A Compile Shelving System can hold up to 300 kg.

Compile Shelving Systems can be built as tall as wanted, as long as they are mounted to a wall using brackets. Muuto recommends not building COMPILE systems higher than 2,25 meters.

TEST & CERTIFICATIONS

EN 16121:2013 – Test severity I
Non-domestic storage furniture – Requirements for safety, strength, durability and stability.

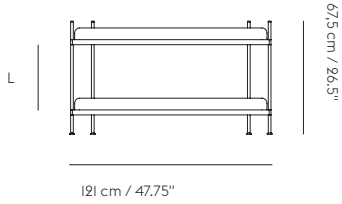
EN 16122:2012
Domestic and non-domestic storage furniture - Test method for the determination of strength, durability and stability.

Both tests were conducted using a 180 cm / 70.75" shelving configuration with wall brackets attached to the wall.

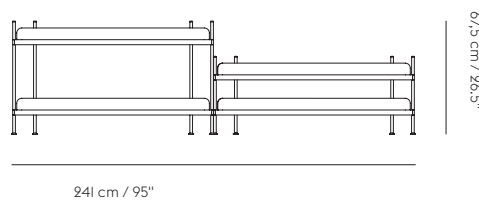
ANSI/BIFMA X5.9-2019. American National Standard For Office Furnishings – Storage Units.

MUUTO

CONFIG. 1

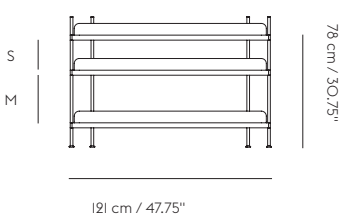


CONFIG. 5

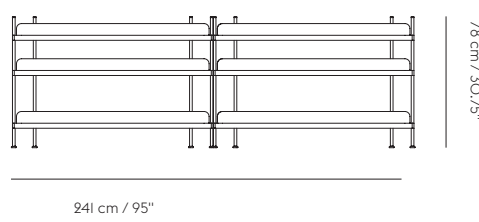


Dividers:
Small (S)
Medium (M)
Large (L)

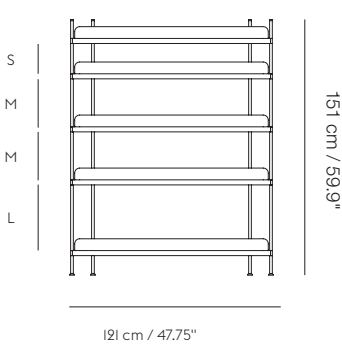
CONFIG. 2



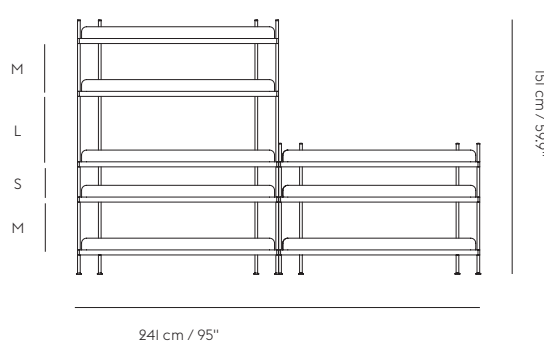
CONFIG. 6



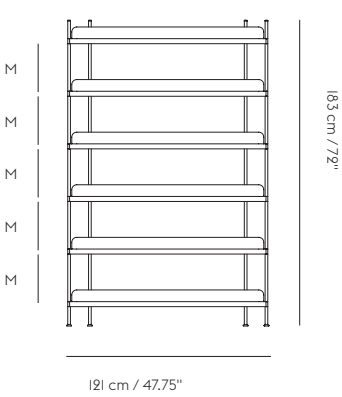
CONFIG. 3



CONFIG. 7



CONFIG. 4



CONFIG. 8

