

BESTLITE BRASS BL6 // WALL LAMP, HARD WIRED (SWITCHED), UK MODEL  
Designed by Robert Dudley Best

## PRODUCT



Item no.: 001-0623X  
+ style code

**Don't polish the brass**

## DESCRIPTION

Bestlite has been in continuous production since 1930. Robert Dudley Best created Bestlite design. He was highly influenced by the Bauhaus. In the past 80 years, people appreciated the lamps and it decorates many homes, hotels and restaurants worldwide. Loved by architects, designers and design aficionados throughout its 80-year history, today, Bestlite enjoys global iconic status.

## VERSION - BESTLITE WALL LAMP BL6

Shade and base: Black, White or Off-White  
Arm: Chrome

RAL codes are indicative.

- Fabric wire - Black:
- Black / White inside // RAL 9004 / RAL 9003 // Gloss level 20 / Gloss level 20
- Fabric wire - Off-White:
- Off-White / White inside // RAL 1015 / RAL 9003 // Gloss level 20 / Gloss level 20
- Fabric wire - White:
- White / White inside // RAL 9003 / RAL 9003 // Gloss level 20 / Gloss level 20

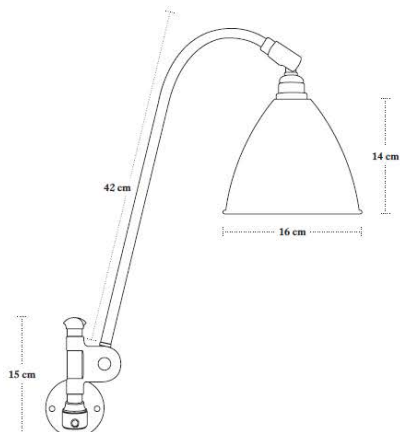
Please contact us for other colours or finishes.

## VERSION

Order item - look for part number in the pricelist.

Series contains the following:

**BL5, BL6, BL7, BL10**



## COLOURS



// Charcoal black / Brass

// Grey / Brass



// Matt-White / Brass

// All Brass

## FACTS

### MEASUREMENT - L X W X H MM

Lamp height: 150+420 mm  
Tube length: 150 mm  
Shade height: 140 mm  
Shade diameter: Ø160 mm  
Cord - total length w/sw: App. 2400 mm  
Cord - exposed out of lamp: App. 2000 mm

### WEIGHT ITEM - LAMP INCL. WIRE

1024 g

### PACKAGING TYPE

White cardboard box w/ 5ply corrugated

### PACKAGING MEASUREMENT - L X W X H CM

L:22 x W:61 x H:26 cm

### WEIGHT PACKAGING - MATERIAL TYPE

- Paper Egg crate: 834,5 g
- PE polybag: 60 g
- Bestlite key: 18 g
- PE polybag: 1 g
- Cardboard inside: 98,5 g
- Cardboard outside: 768 g

### WEIGHT PACKAGING - TOTAL

2802 g

### NUMBER OF PARCELS

1 pcs.

### LIGHT SOURCE

- Socket: E14 base
- Recommended light source: *All fluorescens light bulbs*
- Recommended wattage: 9 W = (40 WATT incandescent bulbs)
- Max wattage: 13 W

- Recommended light source: *Halogen light bulb*
- Recommended wattage: 28 W = (40 WATT incandescent bulbs)
- Max wattage: 28 W

- All lamps can be fitted with a dimmer.  
Please contact your local electrician.

- Lightbulb not included

## CLEANING AND MAINTENANCE

Use a soft damp cloth when cleaning your Bestlite lamp. Do not use household cleaners.

## ACCESSORIES

-

## ENVIRONMENT

-

## TESTS

-

## CERTIFICATION AND LABELS

CE-CERTIFIED

ON DEMAND - (ordered at an additional charge)

ORDERING - BL6 Hard-wired (switched):  
 No cord, switch on the lamp holder

- British voltage: 230 V
- Frequency: 50 Hz
- Supply voltage: AC power ~
- Normally Closed: IP20



Class II / Double insulated



CE-Mark



Luminaires accepted for mounting on a flammable base

## KOMPONENTS

Item no.: 001-0623X

- 01 // Shade Ø16 cm.
- 05 // E14 lamp holder
- 10 // Insulating ring
- 11 // Internal shade ring
- 12 // External shade ring
- 13 // Lamper holder cover
- 15 // Universal joint
- 16 // Bestlite arm
- 18 // Bestlite clip
- 19 // Bestlite nut
- 20 // Bestlite bolt
- 21 // Tension spring
- 22 // Fibre washer
- 23 // Cord grip
- 24 // Cord grip cover
- 25 // Acetate
- 26 // Top knob
- 30 // Tube
- 45 // Wall bracket
- 49 // Screw 9x19 mm
- 51 // Mounting plate Ø7 cm

XX // Switch on lampholder

## MATERIAL

Shade: Charcoalblack, White or Grey  
 Tube and arm: Brass with lacquered surface

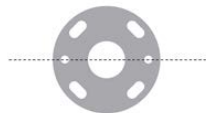
Shade and base: Brass with lacquered surface  
 Tube and arm: Brass with lacquered surface

## INSTALLATION INSTRUCTIONS

The Bestlite key:

It's a practical tool that enables you to fasten the lamp arm. Simply use it like a screwdriver in the slot

It's suitable for painting:  
 Cut out where you wish, and use directly on your wall for accurate placing of the hole.  
 Make use of the dotted line to drill.



### Technical information:

Light source: 2x E14 or 4W incandescent or 4W halogen bulb.  
 Not suited for use with energy saving light bulbs.  
 The lamp is not approved for outdoor use or use in damp/very moist areas.

### Some advice on cleaning your Bestlite:

**Powder coated parts - base, bracket and shade:**  
 Wipe the parts with a damp cloth soaked in warm water and a bit of mild detergent.

**Chrome plated parts:**  
 Wipe the lamp with a damp cloth and avoid using too much water.  
 If the surface is dirty use a mild polish made especially for chrome or other soft metals.

Use only soft cloth for wiping and polishing, never emery or steel wool.

Do not use abrasive household cleaners.

Do not use acidic or alkaline cleaning materials, glass cleaner or household ammonia.



### Don't forget!

Check operation of the shade:

The Bestlite shade is a precision design. Check that it opens and closes smoothly. If it does not, check the operation of the Bestlite shade rings. Do this by pulling the Bestlite shade rings outwards. Do this on the side of the Bestlite shade. Do this on the side of the Bestlite shade.

Do not touch the lamp with your hands. Do not touch the lamp with your hands.

Do not touch the lamp with your hands. Do not touch the lamp with your hands.

Do not touch the lamp with your hands. Do not touch the lamp with your hands.

Do not touch the lamp with your hands. Do not touch the lamp with your hands.

Do not touch the lamp with your hands. Do not touch the lamp with your hands.

Do not touch the lamp with your hands. Do not touch the lamp with your hands.

Do not touch the lamp with your hands. Do not touch the lamp with your hands.

Do not touch the lamp with your hands. Do not touch the lamp with your hands.

Do not touch the lamp with your hands. Do not touch the lamp with your hands.

Do not touch the lamp with your hands. Do not touch the lamp with your hands.

Do not touch the lamp with your hands. Do not touch the lamp with your hands.

Do not touch the lamp with your hands. Do not touch the lamp with your hands.

Do not touch the lamp with your hands. Do not touch the lamp with your hands.

Do not touch the lamp with your hands. Do not touch the lamp with your hands.

Do not touch the lamp with your hands. Do not touch the lamp with your hands.

Do not touch the lamp with your hands. Do not touch the lamp with your hands.

Do not touch the lamp with your hands. Do not touch the lamp with your hands.

Do not touch the lamp with your hands. Do not touch the lamp with your hands.

Do not touch the lamp with your hands. Do not touch the lamp with your hands.

Do not touch the lamp with your hands. Do not touch the lamp with your hands.

Do not touch the lamp with your hands. Do not touch the lamp with your hands.

Do not touch the lamp with your hands. Do not touch the lamp with your hands.

Do not touch the lamp with your hands. Do not touch the lamp with your hands.

Do not touch the lamp with your hands. Do not touch the lamp with your hands.

Do not touch the lamp with your hands. Do not touch the lamp with your hands.

Do not touch the lamp with your hands. Do not touch the lamp with your hands.

Do not touch the lamp with your hands. Do not touch the lamp with your hands.

Do not touch the lamp with your hands. Do not touch the lamp with your hands.

Do not touch the lamp with your hands. Do not touch the lamp with your hands.

Do not touch the lamp with your hands. Do not touch the lamp with your hands.

Do not touch the lamp with your hands. Do not touch the lamp with your hands.

Do not touch the lamp with your hands. Do not touch the lamp with your hands.

Do not touch the lamp with your hands. Do not touch the lamp with your hands.

Do not touch the lamp with your hands. Do not touch the lamp with your hands.

Do not touch the lamp with your hands. Do not touch the lamp with your hands.

Do not touch the lamp with your hands. Do not touch the lamp with your hands.

Do not touch the lamp with your hands. Do not touch the lamp with your hands.

Do not touch the lamp with your hands. Do not touch the lamp with your hands.

Do not touch the lamp with your hands. Do not touch the lamp with your hands.

Do not touch the lamp with your hands. Do not touch the lamp with your hands.

Do not touch the lamp with your hands. Do not touch the lamp with your hands.

Do not touch the lamp with your hands. Do not touch the lamp with your hands.

Do not touch the lamp with your hands. Do not touch the lamp with your hands.

Do not touch the lamp with your hands. Do not touch the lamp with your hands.

Do not touch the lamp with your hands. Do not touch the lamp with your hands.

Do not touch the lamp with your hands. Do not touch the lamp with your hands.

**BESTLITE**  
 SINCE 1930

