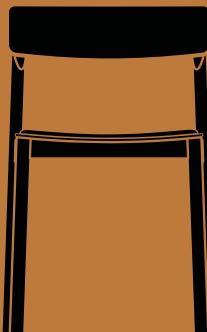
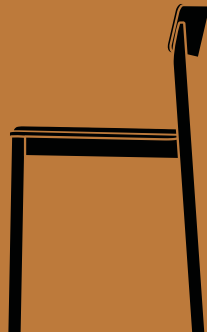


Betty ^{TK3}
Thau & Kallio
2020





D: 48cm/18.9in
Seating D: 42cm/16.5in.



W: 51cm/20.1in
Seat H: 47cm/18.5in

H: 78cm/30.7in

Betty^{TK3}

Thau & Kallio

2020

Product description

Dining chair

Environment

Indoor

Material

Lacquered or Oiled solid wood and formpressed veneer with HR foam seat. This product has not been treated with any biocides.

Production process

The chair is made from solid wood with a formpressed veneer backrest. For superior comfort the seat is covered with HR foam and upholstery.

Variants

Clear lacquered oak, Smoked oiled oak, Black lacquered oak. Available in a variety of fabrics, leathers and COM.

Gliders

Wagner Quick-click felt gliders with interchangeable plastic inserts installed as standard.

Dimensions

H: 78cm / 30.7in, W: 51cm / 20.1in, D: 48cm / 18.9in,
Seating D: 42cm / 16.5in, Seat H: 47cm / 18.5in

Packaging dimensions

H: 86cm / 33.9in, W: 53.2cm / 20.9in, D: 52cm / 20.5in

Colli quantity

1 (2 pcs)

Weight

Product: 5.6 kg / Incl. packaging: 12.5 kg

Country of origin

Latvia

Certifications

FSC mix certified wood.



Strength, durability and safety testing

The chair is tested for strength, durability and safety according to EN 16139 level 2 - Extreme use.

COM - Material Consumption

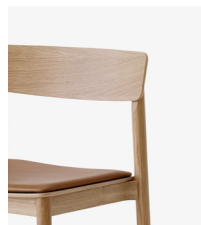
Fabric usage: 60x60cm for one seat. Leather usage: 60x60cm for one seat. COM must be approved by &Tradition to ensure suitability for upholstery.

Cleaning instructions

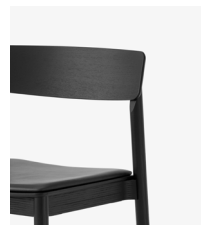
Please download our Material Care & Cleaning instructions through www.andtradition.com

→ Stock items

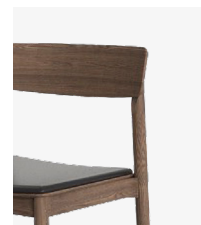
Oak w. Noble Aniline leather Cognac
Black w. Noble Aniline leather Black
Smoked Oak w. Noble Aniline leather Black



→ Oak
Lacquered oak w.
Cognac Leather



→ Black
Lacquered ash w.
Black Leather



Smoked Oak
Lacquered oak w.
Black Leather

Related products



&Tradition[®]



TK3

Recycling & Disassembly

Betty^{TK3}

RECYCLING

The Betty chair is built to last, and we hope that your Betty will serve you for many years. The chair is made from solid wood and wood veneer, and can be easily separated from its base. All metal and wooden parts can be separated and delivered to a suitable recycling station.

SPARE PARTS

To purchase spare parts for your Betty chair, please write to our sales support team at info@andtradition.com with your query.

5 YEAR WARRANTY

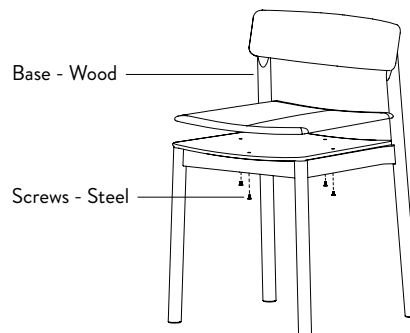
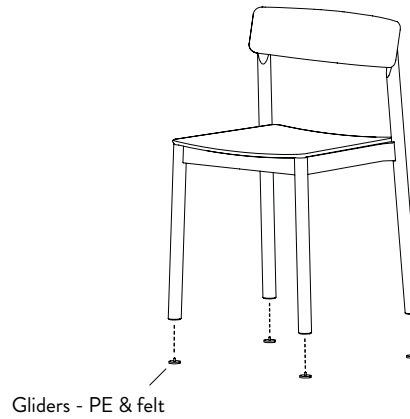
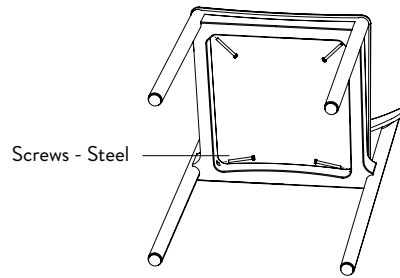
&Tradition provides a 5-year warranty with every Betty chair, which covers faults which were present at the time of purchase, or which have occurred as a result of a manufacturing defect. The warranty is valid from the date stated on the original invoice.

DISASSEMBLY

Disassembling of Betty chair

1. Unscrew the bolts located inside the frame of the seat. This can be done with a socket wrench.

2. Remove the gliders.



Disassembling of upholstered seat

1. Unscrew the screws underneath the seat.

2. Remove the textile padding and bushings from the wooden base of the seat.

