

Type 75™ Floor Lamp

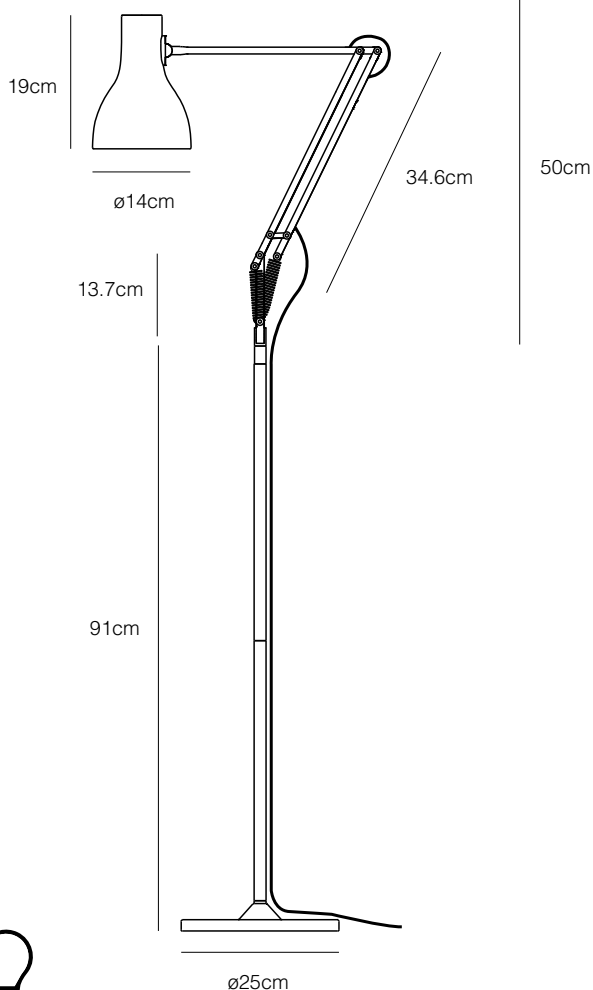
Type 75™ Collection | Technical Sheet

ANGLEPOISE®

Launched In 2004 | Designed by Sir Kenneth Grange



32cm



Bulb
included

Product

Floor Lamp - Jet Black
Floor Lamp - Alpine White
Floor Lamp - Silver Lustre

Accessories are colour-matched.
Lamps with accessories come with a table base.

Description

You'll find our Type 75™ floor lamp makes the perfect reading light. It combines all the high quality fittings and features you have come to expect from an Anglepoise® with elegant, classic looks, flowing movement and full adjustability.

Materials

- Matt paint or brushed aluminium finish
- Aluminium shade
- Aluminium arms
- Chrome plated fittings
- Cast iron base with aluminium cover
- IP20 rating
- Anglepoise® constant tension spring technology

Dimensions

- Shade diameter: 14cm
- Shade height: 19cm
- Max reach: 66cm (from base to shade)
- Base diameter: 25cm
- Pole height: 91cm
- Cable length: 270cm
- Lamp Packaging (L x W x H): 31.5cm x 17cm x 51cm
- Lamp Packaged Weight: 5.86kg
- Pole Packaging (L x W x H): 44.5cm x 30cm x 9.5cm
- Pole Packaged Weight: 4.2kg

Electrical

- Voltage 220/240V, 50/60Hz
- Class II - Double insulated
- Note: Bulb weight critical for balance. Approximate bulb weight 25-60g
- Integrated shade switch
- Plug: 3-pin UK plug to BS 1363
- E27 lamp holder
- Maximum permitted bulb: 20W CFL / 10W LED E27
- Supplied with compatible 6W LED E27 bulb
 - Luminous Intensity: 470lm
 - Life: 15,000 Hours
 - Non-dimmable
 - Colour Temperature: 2700K
 - CRI (Ra): 80