



PRODUCT SHEET

Ready Dining Chair Collection
by Matias Møllenbach & Nick Rasmussen

Ready Dining Chair, Veneer

BY MATIAS MØLLENBACH & NICK RASMUSSEN

A distinct and contemporary interpretation of the all-wood chair, the Ready Chair is crafted from moulded wood veneer to highlight the fluid curves of the body. Available in natural, red stained or black painted oak with a water based lacquered finish, the pared-back dining chair showcases precise craft and natural materials to functionally beautiful effect.



PRODUCT OPTIONS

SHELL



NATURAL OAK



RED STAINED OAK



BLACK PAINTED OAK

Ready Dining Chair, Veneer

BY MATIAS MØLLENBACH & NICK RASMUSSEN

TECHNICAL SPECIFICATIONS

PRODUCT TYPE

Chair

COLLI

1

ENVIRONMENT

Indoor

DIMENSIONS

H: 78 cm / 30,7"
SH: 47,3 cm / 18,6"
D: 50 cm / 19,7"
W: 47,5 cm / 18,7"

PRODUCTION PROCESS

Press bended plywood, CNC cut to shape the parts.
Assembled glued and lacquered.

COLOUR

Natural oak
Red stained oak
Black painted oak

GLOSS

Gloss 5-10

MATERIALS

Beech wood, oak veneer, PA plastic glides,

WEIGHT

4,5 kg / 9,9 lb

TEST

EN1022:2005, L2
EN16139:2013, L2

CERTIFICATIONS

Crafted from FSC certified wood

PACKAGING TYPE

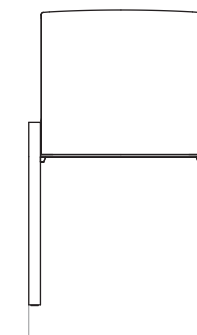
Brown box

PACKAGING MEASUREMENTS (H x W x D)

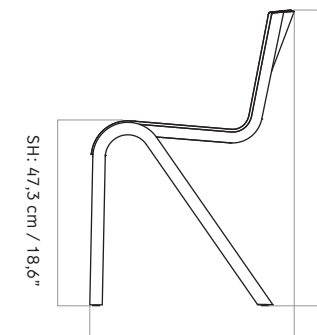
92 cm x 60 cm x 51 cm / 36,2" x 23,6" x 20"

MATERIALS & MAINTENANCE

Please visit [menuspace.com](https://www.menuspace.com) for materials, care and maintenance instructions.



W: 47,5 cm / 18,7"



SH: 47,3 cm / 18,6"

D: 50 cm / 19,7"

H: 78 cm / 30,7"

Ready Dining Chair, Seat Upholstered

BY MATIAS MØLLENBACH & NICK RASMUSSEN

A distinct and contemporary interpretation of the all-wood chair, the Ready Chair is crafted from moulded wood veneer to highlight the fluid curves of the body. Available in natural, red stained or black painted oak with a water based lacquered finish with a seat upholstery, the pared-back dining chair showcases precise craft and natural materials to functionally beautiful effect.



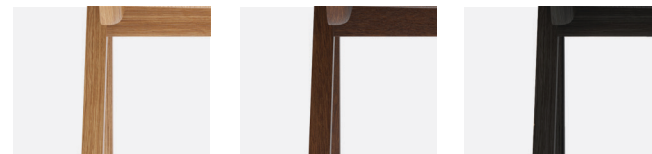
PRODUCT OPTIONS

SEAT



UPHOLSTERED

SOLID OAK BASE



NATURAL OAK

RED STAINED OAK

BLACK PAINTED OAK

SPEC OPTIONS

Available in fabrics from our upholstery programme. Standard lead times apply.

For custom upholstery, please refer to the guiding textile/leather consumption:

COM: 0,55 m / 0,605 yds

COL: 0,39 m² / 4,2003 sqft

Prices excl. custom upholstery are equal to Price Category 1 Textile or Leather. Contact Sales support for approval of custom upholstery and to place your order.

The above textile consumption is only valid for textile rolls with a width equal to or greater than 140 cm. For smaller textile rolls, please contact Sales Support for guidance. For textile with pattern, please expect a higher usage for correct pattern fitting. Please contact Sales Support for guidance.

Ready Dining Chair, Seat Upholstered

BY MATIAS MØLLENBACH & NICK RASMUSSEN

TECHNICAL SPECIFICATIONS

PRODUCT TYPE

Chair

COLLI

1

ENVIRONMENT

Indoor

DIMENSIONS

H: 78 cm / 30,7"

SH: 48,3 cm / 19"

D: 50 cm / 19,7"

W: 47,5 cm / 18,7"

PRODUCTION PROCESS

Press bended plywood, CNC cut to shape the parts. Assembled glued and lacquered.

COLOUR

Seat with upholstery

Depends upon selected upholstery

Base

Natural oak
Red stained oak
Black painted oak

GLOSS

Gloss 5-10

MATERIALS

Beech wood, oak veneer, PA plastic glides, foam and upholstery

WEIGHT

6,4 kg / 14,1 lb

TEST

EN1022:2005, L2
EN16139:2013, L2

CERTIFICATIONS

Crafted from FSC certified wood

PACKAGING TYPE

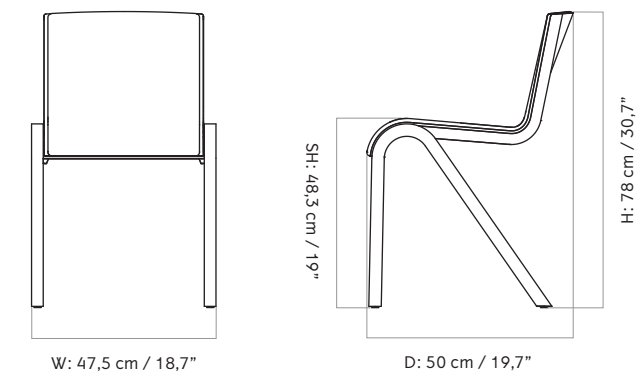
Brown box

PACKAGING MEASUREMENTS (H x W x D)

92 cm x 60 cm x 51 cm / 36,2" x 23,6" x 20"

MATERIALS & MAINTENANCE

Please visit [menuspace.com](https://www.menuspace.com) for materials, care and maintenance instructions.



W: 47,5 cm / 18,7"

D: 50 cm / 19,7"

Ready Dining Chair, Front Upholstered

BY MATIAS MØLLENBACH & NICK RASMUSSEN

A distinct and contemporary interpretation of the all-wood chair, the Ready Chair is crafted from moulded wood veneer to highlight the fluid curves of the body. Available in natural, red stained or black painted oak with a water based lacquered finish with full front upholstery, the pared-back dining chair showcases precise craft and natural materials to functionally beautiful effect.



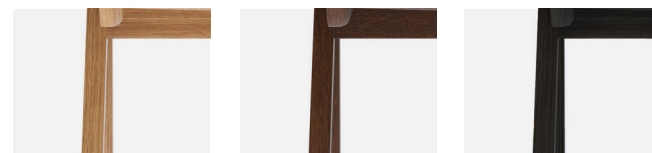
PRODUCT OPTIONS

SHELL



UPHOLSTERED

SOLID OAK BASE



NATURAL OAK

RED STAINED OAK

BLACK PAINTED OAK

SPEC OPTIONS

Available in fabrics from our upholstery programme. Standard lead times apply.

For custom upholstery, please refer to the guiding textile/leather consumption:

COM: 0,86 m / 0,946 yds

COL: 0,61 m² / 6,5697 sqft

Prices excl. custom upholstery are equal to Price Category 1 Textile or Leather. Contact Sales support for approval of custom upholstery and to place your order.

The above textile consumption is only valid for textile rolls with a width equal to or greater than 140 cm. For smaller textile rolls, please contact Sales Support for guidance. For textile with pattern, please expect a higher usage for correct pattern fitting. Please contact Sales Support for guidance.

Ready Dining Chair, Front Upholstered

BY MATIAS MØLLENBACH & NICK RASMUSSEN

TECHNICAL SPECIFICATIONS

PRODUCT TYPE

Chair

COLLI

1

ENVIRONMENT

Indoor

DIMENSIONS

H: 78 cm / 30,7"

SH: 48,3 cm / 19"

D: 50 cm / 19,7"

W: 47,5 cm / 18,7"

PRODUCTION PROCESS

Press bended plywood, CNC cut to shape the parts. Assembled glued and lacquered.

COLOUR

Shell with upholstery

Depends upon selected upholstery

Base

Natural oak
Red stained oak
Black painted oak

GLOSS

Gloss 5-10

MATERIALS

Beech wood, oak veneer, PA plastic glides, foam and upholstery

WEIGHT

6,4 kg / 14,1 lb

TEST

EN1022:2005, L2
EN16139:2013, L2

CERTIFICATIONS

Crafted from FSC certified wood

PACKAGING TYPE

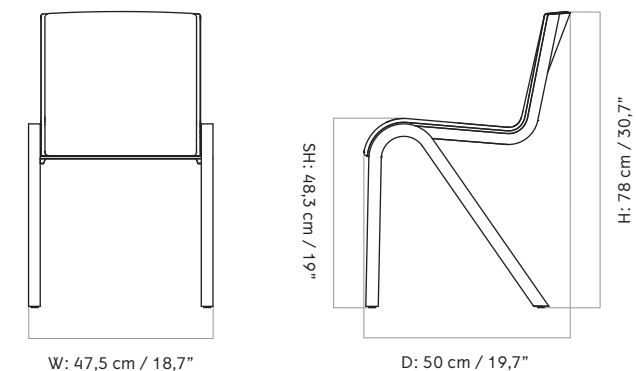
Brown box

PACKAGING MEASUREMENTS (H x W x D)

92 cm x 60 cm x 51 cm / 36,2" x 23,6" x 20"

MATERIALS & MAINTENANCE

Please visit [menuspace.com](https://www.menuspace.com) for materials, care and maintenance instructions.



W: 47,5 cm / 18,7"

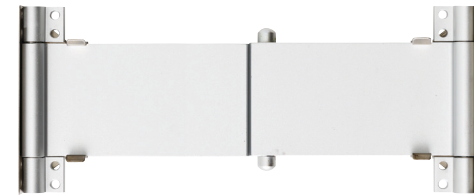
D: 50 cm / 19,7"

Ready Dining Chair Row Connection

BY MATIAS MØLLENBACH & NICK RASMUSSEN

Row Connection allows you to join individual Ready Dining Chairs together in a line, making it ideal for use in conference facilities. The bracket is made of strong aluminium and is easy to connect and disconnect. The connecting bracket can be tucked under the seat when not in use. The Ready Dining Chair can be stacked with 10 chairs with and without the Row Connection.

PRODUCT OPTIONS



Aluminium
9575130

Ready Dining Chair Row Connection

BY MATIAS MØLLENBACH & NICK RASMUSSEN

TECHNICAL SPECIFICATIONS

PRODUCT TYPE
Connector

COLOUR
Aluminium

TEST
N / A

COLLI
1

GLOSS
Mat Aluminium

CERTIFICATIONS
N / A

ENVIRONMENT
Indoor

MATERIALS
Aluminium

PACKAGING TYPE
Clear poly bag

DIMENSIONS
L: 25 cm / 9,8"
W: 10 cm / 4"
D: 2,5 cm / 1"

WEIGHT
400 g / 0,88 lb

PACKAGING MEASUREMENTS (H x W x D)
N / A

PRODUCTION PROCESS
Extruded CNC cutted profile

MATERIALS & MAINTENANCE
Please visit [menuspace.com](https://www.menuspace.com) for materials, care and maintenance instructions.