

PRODUCT



Item no.: 001-0523X
+ style code

DESCRIPTION

Bestlite has been in continuous production since 1930. Robert Dudley Best created Bestlite design. He was highly influenced by the Bauhaus. In the past 80 years, people appreciated the lamps and it decorates many homes, hotels and restaurants worldwide. Loved by architects, designers and design aficionados throughout its 80-year history, today, Bestlite enjoys global iconic status.

VERSION - BESTLITE FLOOR LAMP BL5

Shade: Charcoalblack, Matt-White or Grey
Tube and arm: Brass with lacquered surface

Shade and base: Brass with lacquered surface
Tube and arm: Brass with lacquered surface

RAL codes are indicative.

- Fabric wire - Black:
- Charcoal black/Brass / White inside // RAL 9011 / RAL 9003 // Gloss level 20 / Gloss level 20
- Grey w/Brass / White inside // RAL 2604005 / RAL 9003 // Gloss level 30 / Gloss level 20
- Brass w/Brass / White inside // - / RAL 9003 // - / Gloss level 20

- Fabric wire - Off-White:
- Matt-White w/Brass / White inside // RAL 9003 / RAL 9003 // Gloss level 20 / Gloss level 20

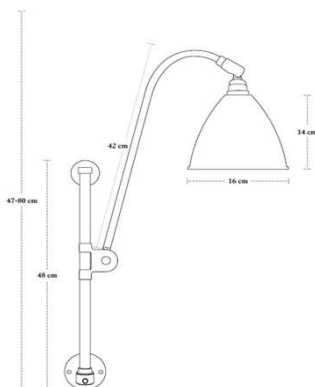
Please contact us for other colours or finishes.

VERSION

Order item - look for part number in the pricelist.

Series contains the following:

BL5, BL6, BL7, BL10



COLOURS



// Charcoal black / Brass



// Grey / Brass



// Matt-White / Brass



// All Brass

FACTS

MEASUREMENT - L X W X H MM

Lamp height: 470-800 mm
Tube length: 480 mm
Shade height: 140 mm
Shade diameter: Ø160 mm
Cord - total length w/sw: App. 2400 mm
Cord - exposed out of lamp: App. 2000 mm

WEIGHT ITEM - LAMP INCL. WIRE
1323 g

PACKAGING TYPE

White cardboard box w/ 5ply corrugated

PACKAGING MEASUREMENT - L X W X H CM

L:22 x W:61 x H:26 cm

WEIGHT PACKAGING - MATERIAL TYPE

- Paper Egg crate: 800 g
- Bestlite key: 18 g
- PE polybag: 1 g
- Screws: 4,5 g
- PE polybag: 60g
- Cardboard outside: 800 g
- Cardboard top: 84 g

WEIGHT PACKAGING - TOTAL
3200 g

NUMBER OF PARCELS

1 pcs.

LIGHT SOURCE

- Socket: E14 base
- Recommended light source: *All fluorescens light bulbs*
- Recommended wattage: 9 W = (40 WATT incandescent bulbs)
- Max wattage: 13 W

- Recommended light source: *Halogen light bulb*
- Recommended wattage: 28 W = (40 WATT incandescent bulbs)
- Max wattage: 28 W

- All lamps can be fitted with a dimmer.
Please contact your local electrician.

- Lightbulb not included

BESTLITE BRASS BL5 // WALL LAMP, HARD WIRED (SWITCHED), UK MODEL Designed by Robert Dudley Best

BESTLITE COLLECTION

CLEANING AND MAINTENANCE

Use a soft damp cloth when cleaning your Bestlite lamp. Do not use household cleaners.

ACCESSORIES

-

ENVIRONMENT

-

TESTS

-

CERTIFICATION AND LABELS

CE-CERTIFIED

ON DEMAND - (ordered at an additional charge)

ORDERING - BL5 Hard-wired (switched):
No cord, switch on the lamp holder

- British voltage: 230 V
- Frequency: 50 Hz
- Supply voltage: AC power ~
- Normally Closed IP20



Class II / Double insulated



CE-Mark

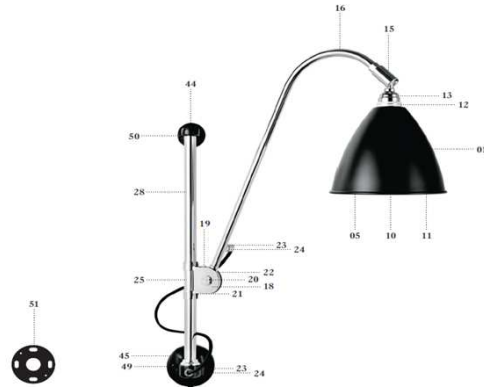


Luminaires accepted for mounting on a flammable base

KOMPONENTS

- 01 // Shade Ø16
- 05 // Lamp holder
- 10 // Insulating ring
- 11 // Internal shade ring
- 12 // External shade ring
- 13 // Lamp holder cover
- 15 // Universal joint
- 16 // Bestlite arm
- 18 // Bestlite "clip"
- 19 // Bestlite nut
- 20 // Bestlite bolt
- 21 // Tension spring
- 22 // Fibre washer
- 23 // Cord grip
- 24 // Cord grip cover
- 25 // Acetate
- 44 // Top bracket
- 45 // Wall bracket
- 49 // Screw 9x19 mm
- 50 // Screw 6x36 mm
- 51 // Mounting plate Ø7 cm

Item no.: 001-0529X



XX // Switch on lampholder

MATERIAL

Shade: Charcoalblack, White or Grey
Tube and arm: Brass with lacquered surface

Shade and base: Brass with lacquered surface
Tube and arm: Brass with lacquered surface

INSTALLATION INSTRUCTIONS

The Bestlite key:

It's a practical tool that enables you to fasten the lamp arm. Simply use it like a screwdriver in the slot in the Bestlite nut.

1) Important for assembly:
Do not use a screwdriver or other sharp tool on your wall for accurate placing of the hole.
Mark out the mounting plate!



Technical information:

Light source: Ø14 - 40W incandescent or 40W halogen bulb.
For power of more than 40W halogen bulb,
the lamp is not approved for outdoor use or use in damp locations.

Some advice on cleaning your Bestlite:

Prevent contact plates to become scratched and discoloured.
Wipe the lamp with a damp cloth soaked in warm water and a bit of mild detergent.

Choose polished parts:

Wipe the lamp with a damp cloth and warm water to bring to light.
If the surface is already used it must be polished again for restoration or after self-wash.

Use only soft cloth for wiping and polishing, never sponges or other tools.
Do not use abrasive household cleaners.

Do not use acids or alkaline cleaning products, glass cleaners or household disinfectants.

BESTLITE - GUBI, Møllehavevej 7, 4, DK-2100, Copenhagen, Denmark - www.bestlite.com



BESTLITE
GUBI

