

TRIANGLE LEG TABLE

DESIGN BY SIMON JONES



Motivated by the desire to create more space around a circular table, Simon Jones designed the Triangle leg table and bench series. The ends of the rectangular tabletop have been rounded, creating a sociable setting that maximises seating numbers around the table yet keeping the shape compact. The triangular leg section creates the illusion of lightness and provides optimal compatibility with both square- and round chair legs. Crafted in solid oak with an oiled, soaped or clear lacquer finish, this versatile table is suitable for a wide range of private and public dining or office environments.

PRODUCT DETAILS

- / Multi-functional family of tables and benches in different shapes, sizes and finishes.
- / Crafted in solid oak with an oiled, soaped or water-based lacquer finish.
- / The table is available in two different designs, round and obround.
- / Suitable for a wide variety of private and public environments.
- / Qualified for contract use.

HAY

MATERIAL

TABLETOP / 22 mm solid oak tabletop in different finishes.
Support bars are mounted underneath the tabletop.

FRAME / 4 solid wooden legs featuring non-visible integrated screw-in adjustable feet that can be extended up to 12 mm to level the table on uneven surfaces.

FINISH

Available in 3 different finishes.
/ Water-based lacquered solid oak
/ Soaped solid oak
/ Oiled solid oak



CONSTRUCTION

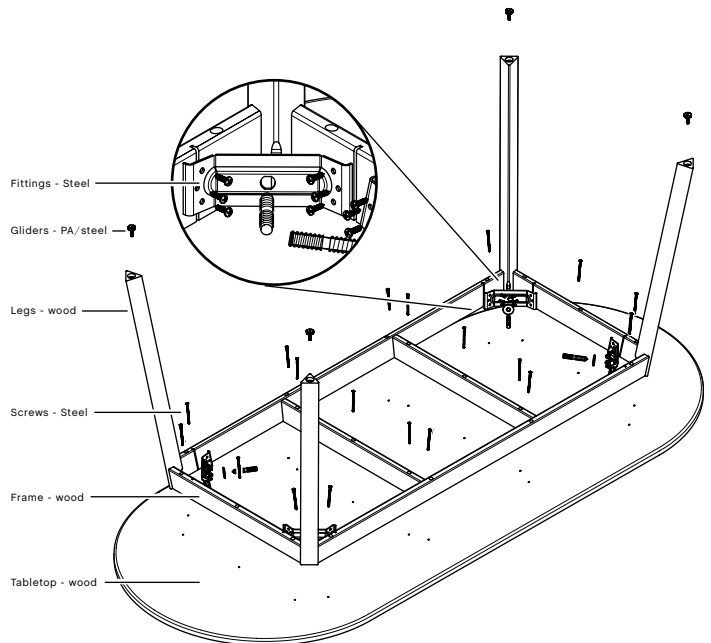
The triangular leg sections are mounted onto the support bar frame with bolts.

Requires assembly.
Please follow the instruction manual.

RECYCLING AND DISASSEMBLY

Triangle Leg Table is designed to be a long-lasting furniture made to last for many years. The table is 100% recyclable and all parts can be fully separated and recycled. All parts can be delivered to a suitable recycling facility.

To disassemble the table, turn it up side down and unscrew the bolts holding the legs. Then unscrew the feet and the tapping screw in the top of the leg. Then unscrew all screws to separate the frame from the table.



DIMENSIONS

LENGTH / 200 cm / 78.74"

WIDTH / 85 cm / 33.46"

HEIGHT / 74 cm / 29.13"

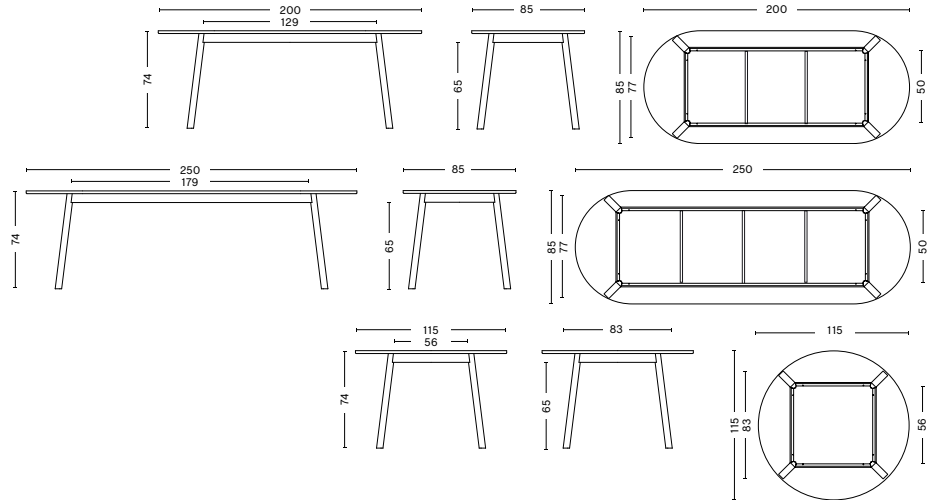
LENGTH / 250 cm / 98.42"

WIDTH / 85 cm / 33.46"

HEIGHT / 74 cm / 29.13"

DIAMETER / Ø115 cm / 45.27"

HEIGHT / 74 cm / 29.13"



TESTS

EN 15372: 2008 / Furniture - Strength, durability and safety - Requirements for non-domestic tables.

L3: Severe use.

CERTIFICATES



The EU-Ecolabel is the official European ecolabel.



Made from FSC™-certified and other controlled materials.

WARRANTY

HAY provides a 5-year product warranty, which covers materials and workmanship on our furniture frame and upholstery. The warranty covers faults which were present at the time of purchase or which have occurred as a result of defects present at the time of purchase. The warranty period of 5 years is calculated from the date on the original invoice.

Spare parts are available throughout the 5 year warranty period.

CARE & MAINTENANCE

A general care guide with all materials is available at hay.com.

[Link to care and maintenance guideline.](#)

DOWNLOADS

Packshots and lifestyle photos, 2D / 3D files, care and maintenance, instructions, test certificates, product fact sheets, and product presentations are available in our Image Bank at hay.com.

[Link to downloads.](#)

HAY