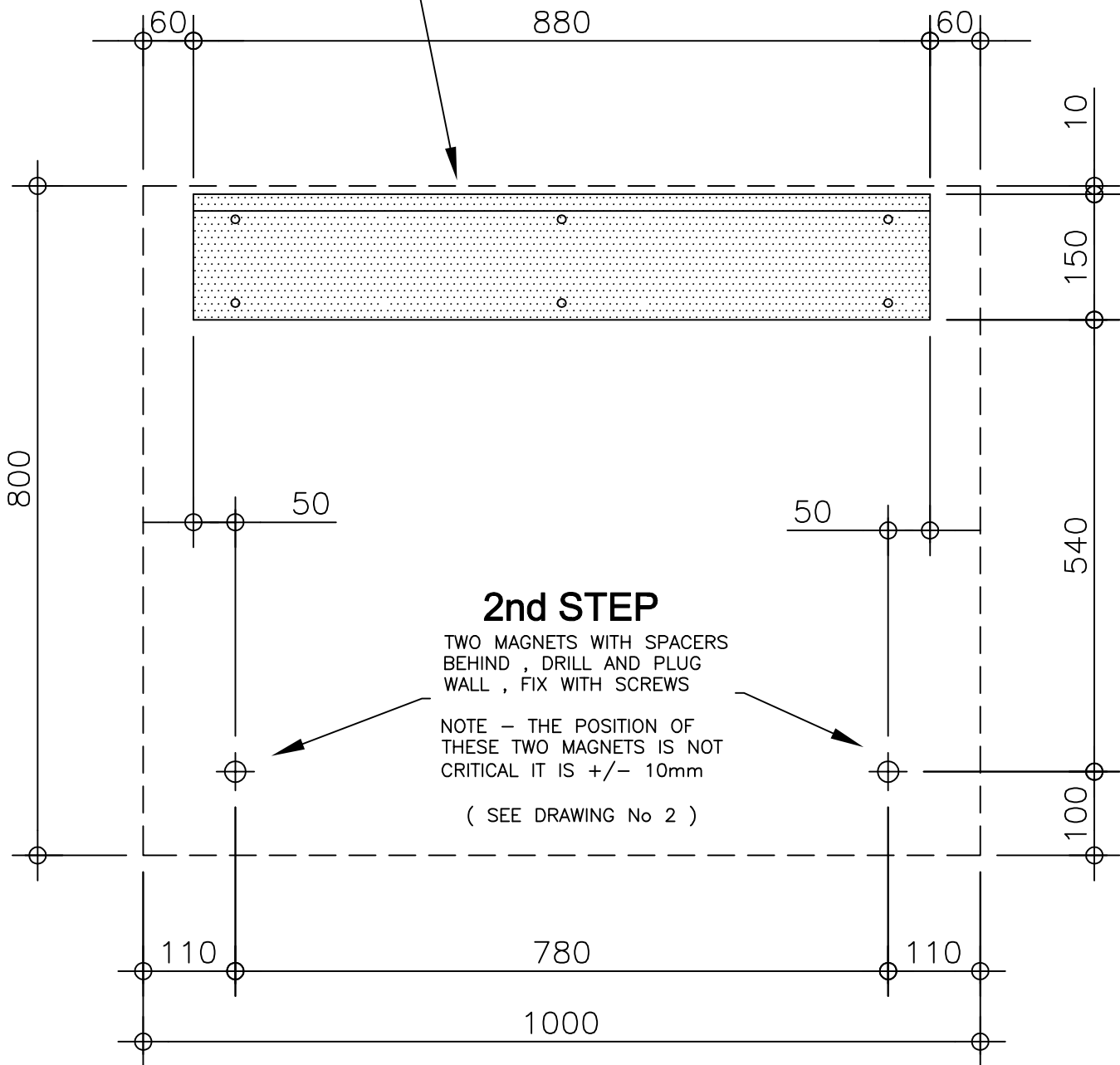


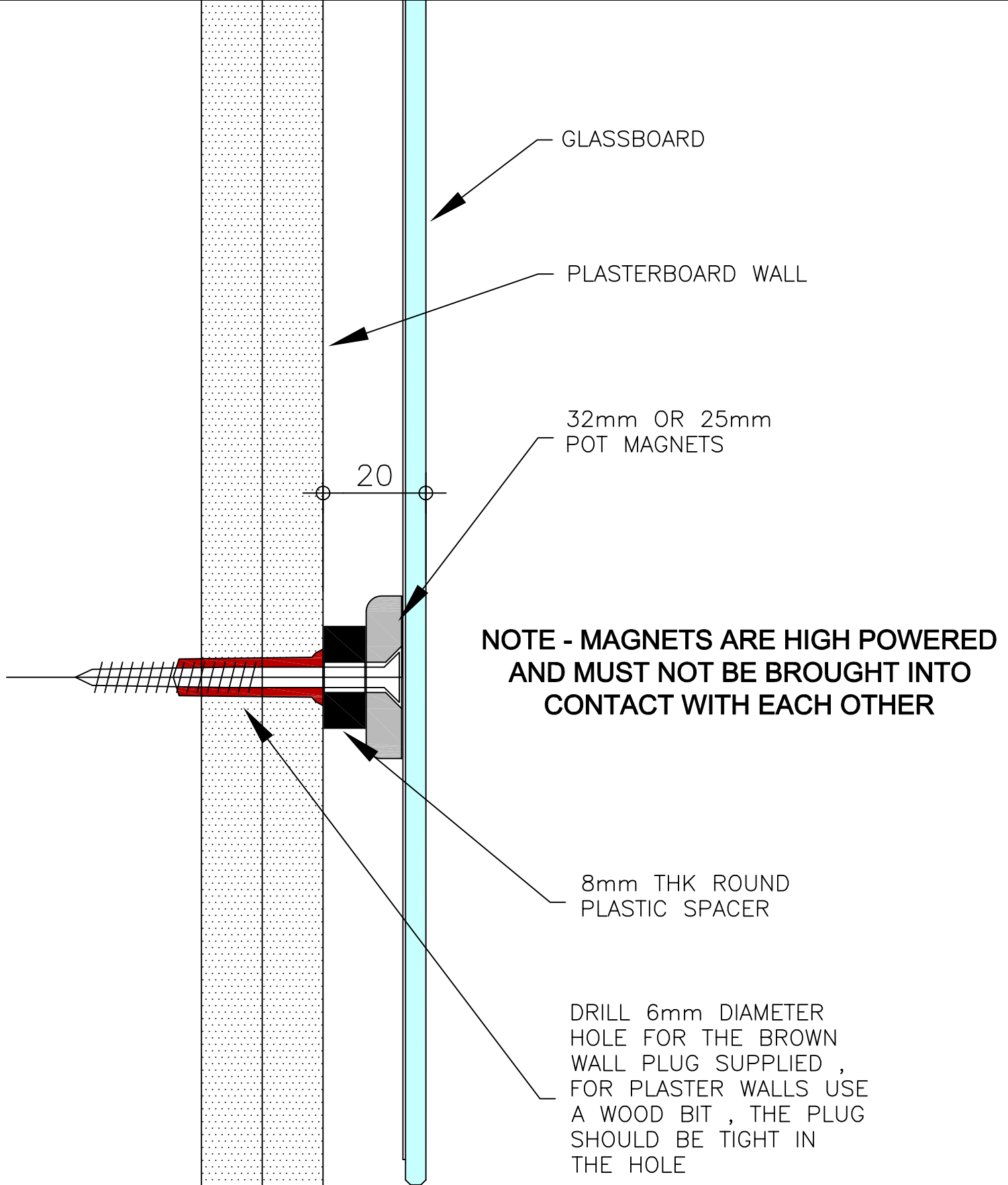
1st STEP

METAL WALL BRACKET , LEVEL
AND FIX WITH SIX SCREWS INTO
SUITABLE WALL PLUGS

FLANGE ON TOP AND POINTING
AWAY FROM WALL



1000mmW X 800mmH



NOTE - this brown plug may not be suitable for all wall types

Onglass Products Ltd

Glass Boards Fitting Instructions - Drawing 2