



Malm Fireplace, Inc.

368 Yolanda Avenue - Santa Rosa, Ca. 95404

(707) 523-7755 Fax: (707) 571-8036

ZIRCON 34

Woodburning

Tested to UL737 & ULC-S627-00

LabTest



Assembly And Installation Instructions

LEAVE THESE INSTRUCTIONS WITH THE OWNER.

SAFETY NOTICE

If this fireplace is not properly installed, a house fire may result. To reduce the risk of fire, follow the installation instructions.

Contact local building or fire officials about restrictions and installation inspection requirements in your area.

This stove must be connected to (1) a chimney complying with the requirements for Type HT chimneys in the Standard for Chimneys, Factory-Built, Residential Type and Building Heating Appliance, UL 103, or (2) a code approved masonry chimney with a flue liner.

Please read this entire manual before you install and use your new fireplace.

Failure to follow instructions may result in property damage, bodily injury, or even death.

DO NOT INSTALL THIS UNIT IN A MOBILE HOME.

ASSEMBLY AND INSTALLATION INSTRUCTIONS

1. Carefully remove all components from the shipping cartons and inspect for damage. If any damage is noted contact the shipping company or your dealer immediately. **DO NOT INSTALL THIS UNIT IF DAMAGED OR MISSING PARTS.**
2. Protect the flooring near the intended place of installation with an old rug, blanket, or cardboard. Place the firebox on this material.
3. Mix and install the Malmcrete hearth refractory as follows:
 - a. Obtain a sturdy water-tight mixing container such as a wheelbarrow or large wash tub, a bucket or can for transporting the mixture, a cement trowel, and a source for clean mixing water. It is suggested that the Malmcrete be mixed outside to avoid spillage or splatters in the dwelling.
 - b. Pour the dry Malmcrete mixture into the mixing container.
 - c. Use 1 quart water for each bag.
 - d. Add 1/2 to 3/4 of the water to the dry mix and mix thoroughly. Add additional water in small increments, mixing thoroughly between additions. Do not add more water than is necessary to get a somewhat dry mixture; too much water in the mix may cause the refractory to crack excessively, and will reduce the strength of the refractory. To test for proper water content, cut vertically into the mixture with the trowel, push the trowel sideways to open a 3 inch deep by 2 inch wide cut in the mixture, then slide the trowel back up out of the cut. The cut should stay open with very little "slumping" back into the cut. Next, run the trowel over the surface of the mixture with the blade at a slight angle to the surface of the mixture, like spreading butter. The mixture should become relatively smooth with few voids after 6 or 7 passes of the trowel using moderate pressure. Water should not float to the top of the mixture.
 - e. Transfer the mixture to the hearth (floor) area inside the firebox, spreading the mixture out as it is added. Use the trowel to spread the mix into the firebox area. Continue to add refractory until there is a minimum of 2 inches thick over the entire hearth area. To measure the depth of the mix, place a piece of tape 2 inches from the pointed end of a long nail. Insert the nail vertically through the mix every 6 inches (front to back and side to side) across the hearth; the mix should come to a uniform height up the nail, at or slightly above the tape. Trowel in the nail holes when completed.
 - f. Allow the mix to cure at least 48 hours. Additional curing time is necessary in cool temperatures. The longer Malmcrete is allowed to cure before the first fire is lit, the stronger and more durable it will become.
 - g. Make the first 3 or 4 fires very small and of short duration to allow the refractory to adjust to the high temperature of a fire.

Hearth Requirements

A floor protector is required to protect the floor in front of the fireplace opening from sparks. The floor protector must be a minimum of 3/8 inch thick non-combustible material such as brick, concrete, slate, ceramic tile, or a listed floor protection board such as Wonderboard or Homosote. The floor protector must extend a minimum of 16 inches in front of the fireplace opening and 8 inches to either side of the fireplace. The Zircon has been designed to provide floor protection allowing for flexible design of the hearth setting.

Clearance to Combustibles

The Zircon requires a clearance to combustible walls of 10" measured from the back of the unit. For locating the center of the chimney the measurement is 16" from the back wall and 49" to the sidewall. See figure 1, page 3. For corner installation the center of the chimney is 19". See figure 2, page 3.

Clearance to Non-combustibles

The Zircon clearance to a combustible wall may be reduced with proper wall protection. Accepted methods for wall protection would allow reduction of the wall clearances. For appearance if desired a non-combustible wall covering can be placed on the wall. The covering should consist of a listed wall protection board installed to the manufacturer's specifications. Approved protection boards at the time of this publication are Wonderboard, Dura Rock and Homosote. A non-combustible material can then be placed over the wall protection board. With most of the protection boards the clearance can be reduced to 8 inches from the original combustible wall. Be certain to check with your local building officials and or fire inspector for accepted methods in your area. Refer to NFPA 211.

CLEARANCES

SIDEWALL AND BACKWALL INSTALLATION

Unit to Sidewall	32"
Unit to Backwall	10"
Connector to Sidewall	45"
Center of Connector to Sidewall	49"
Connector to Backwall	12"
Center of connector to Backwall	16"

CORNER INSTALLATION

Unit to Adjacent Wall	10"
Connector to Adjacent Wall	15"
Center of Connector to Adjacent Wall	19"

Minimum Hearth Size----- 50" x 32"
 Hearth is not required to extend under the Zircon's base.

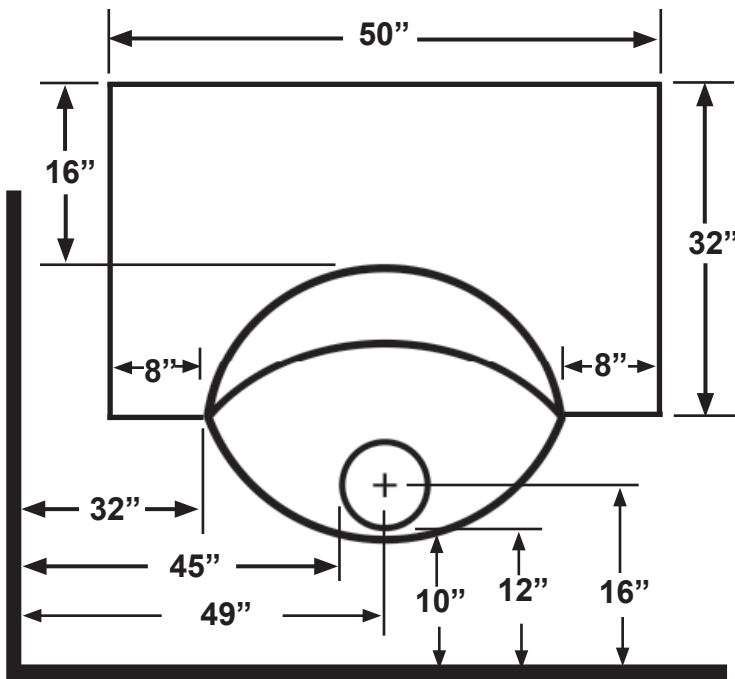


FIGURE 1

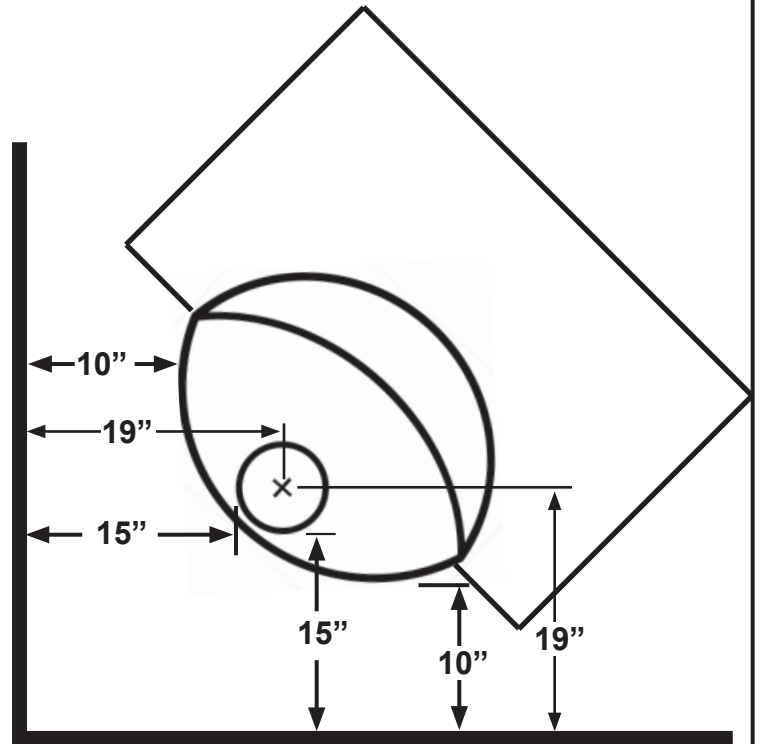


FIGURE 2

Hearth dimensions shown are minimum requirements. It may be desired to exceed these minimum dimensions for a more decorative installation. The hearth material must be 3/8" or thicker noncombustible material. It is not required for the hearth material to extend under the base of the fireplace.

ASSEMBLY AND INSTALLATION INSTRUCTIONS Continued

DO NOT CONNECT THIS UNIT TO A CHIMNEY FLUE SERVING ANOTHER APPLIANCE.

This stove must be connected to (1) a chimney complying with the requirements for Type HT chimneys in the Standard for Chimneys, Factory-Built, Residential Type and Building Heating Appliance, UL 103, or (2) a code-approved masonry chimney with a flue liner.

DO NOT CONNECT TO ANY AIR DISTRIBUTION DUCT OR SYSTEM.

Chimney Connector Installation

The connector pipe included with the Zircon is 1 - 8" x 24" damper pipe, 1 - 8" x 24" pipe section and 1 - 8" x 24" slip connector. The slip connector is identified by 3 holes at the top of the pipe. The slip connector has one flair at the top with the 3 holes. The bottom is smooth. The damper section and intermediate pipe section have flaring at both ends. The male end is always at the bottom.

Simpson Dura-Vent Chimney System

It is required to use a Dura-Vent Connector part number 8DVL-ADC or 8DBK-ADSL to install the chimney connector.

1. Follow the directions for installation of the 8DVL-ADC or 8DBK-ADSL. The 8" x 24" slip pipe is then connected to the 8DVL-ADC or 8DBK-ADSL.
2. The 8" x 24" intermediate pipe section is then slid over the slip connector pipe. Slide the 24 inch pipe over the slip pipe only far enough as necessary to facilitate installation of the 8" x 24" damper pipe in to the unit.
3. Slide the 8" x 24" pipe down onto the damper pipe installed on the Zircon.
4. There must be a minimum of 2 inches of overlap between the 8" x 24" and 8" x 24" slip connector pipe.

Metalbestos or Security

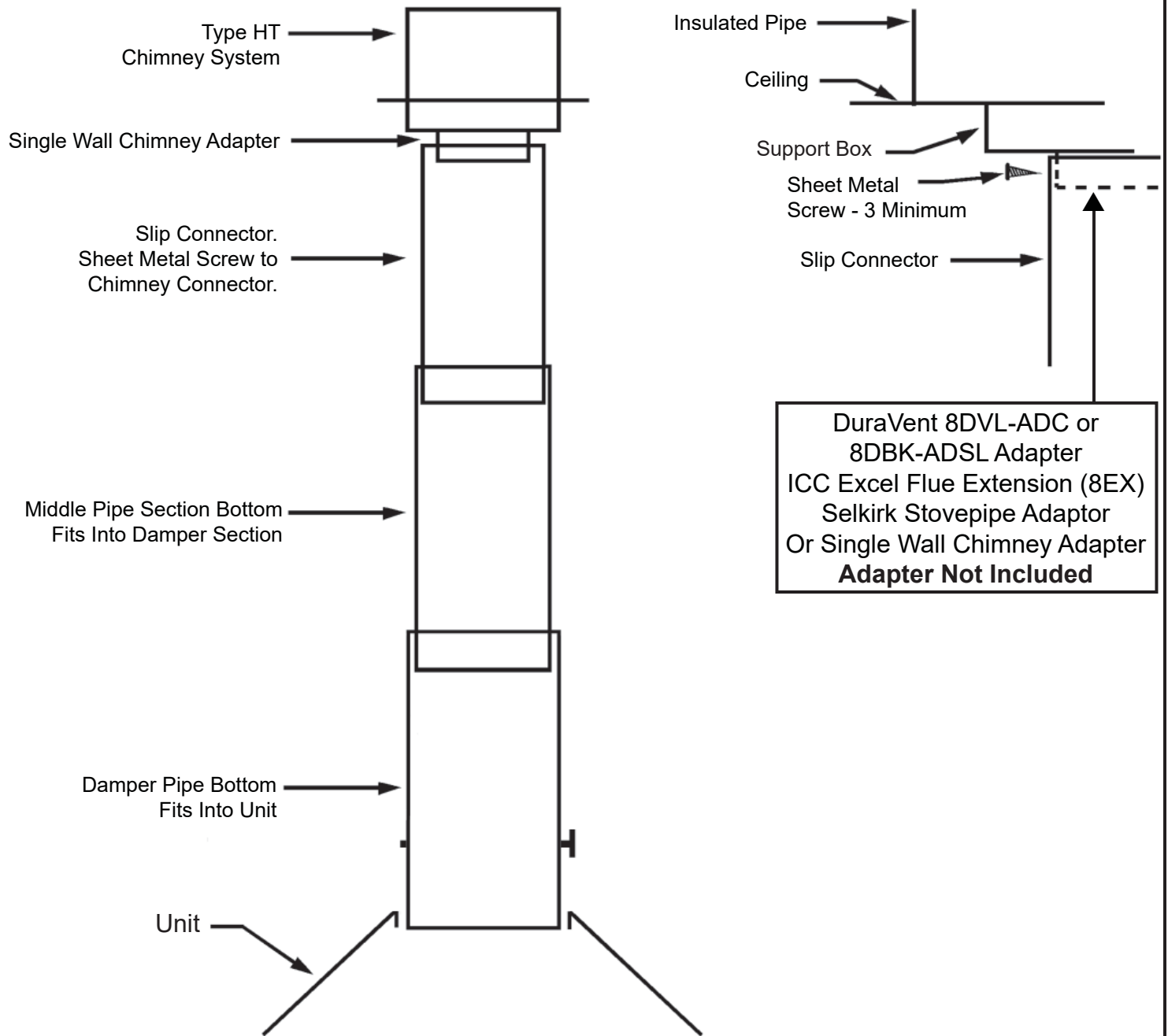
When using Metalbestos or Security chimney systems it is required to use the Metalbestos Selkirk Stovepipe Adaptor Single Wall Connector pipe. Security users must use the ICC Excel Flue Extension (8EX).

1. Installation of the Metalbestos or the ICC Excel Flue Extension (8EX) must be done first. Follow the manufacturers installation instructions.
2. Attach the 8" x 24" slip connector to the Metalbestos Selkirk Stovepipe Adaptor Single Wall Connector pipe or the Security, ICC Excel Flue Extension (8EX) adapter with 3 - #8 x 3/8 inch screws.
3. The 8" x 24" pipe section is then slid into the slip connector pipe. Slide the 24 inch pipe into the slip pipe only far enough as necessary to facilitate installation of the 8" x 24" damper pipe into the unit.
4. Slide the 8" x 24" pipe down onto the piece installed on the Zircon.
5. There must be a minimum of 2 inches of overlap between the 8" x 24" and 8" x 24" slip connector pipe.

Other Chimney Systems

There are many other manufacturer's of chimney systems. It is beyond the scope of this publication to cover installation with all of the different systems available. Most systems have a method of connection to the Zircon's connector pipe. Confirm installation procedures with your dealer or the manufacturer of the chimney system you have purchased.

Chimney Connector Instructions



The above illustration represents the installation procedure for dripless pipe installation. This installation method of installing the connector pipe with the male end down allows for any moisture to remain on the inside of the connector pipe.

At first glance you may become concerned that smoke will escape the pipe and enter the room. This is not how the system will work. The vacuum in the chimney system will always pull air into the chimney. If you experience a downdraft with your installation it indicates that additional chimney height or a specialty draft cap be added to your chimney system. Contact your dealer for further information regarding downdrafts.

Malm connector pipe does not require the use of screws at each joint. It was tested for separation per UL 737 Standards

Material List

Included with the Zircon 34 is the following:

- 1 - 8 x 24 damper pipe
- 1 - 8 x 24 pipe section
- 1 - 8 x 24 slip section pipe
- 4 - 6lb bags of Malmcrete refractory.

MASONRY THIMBLE

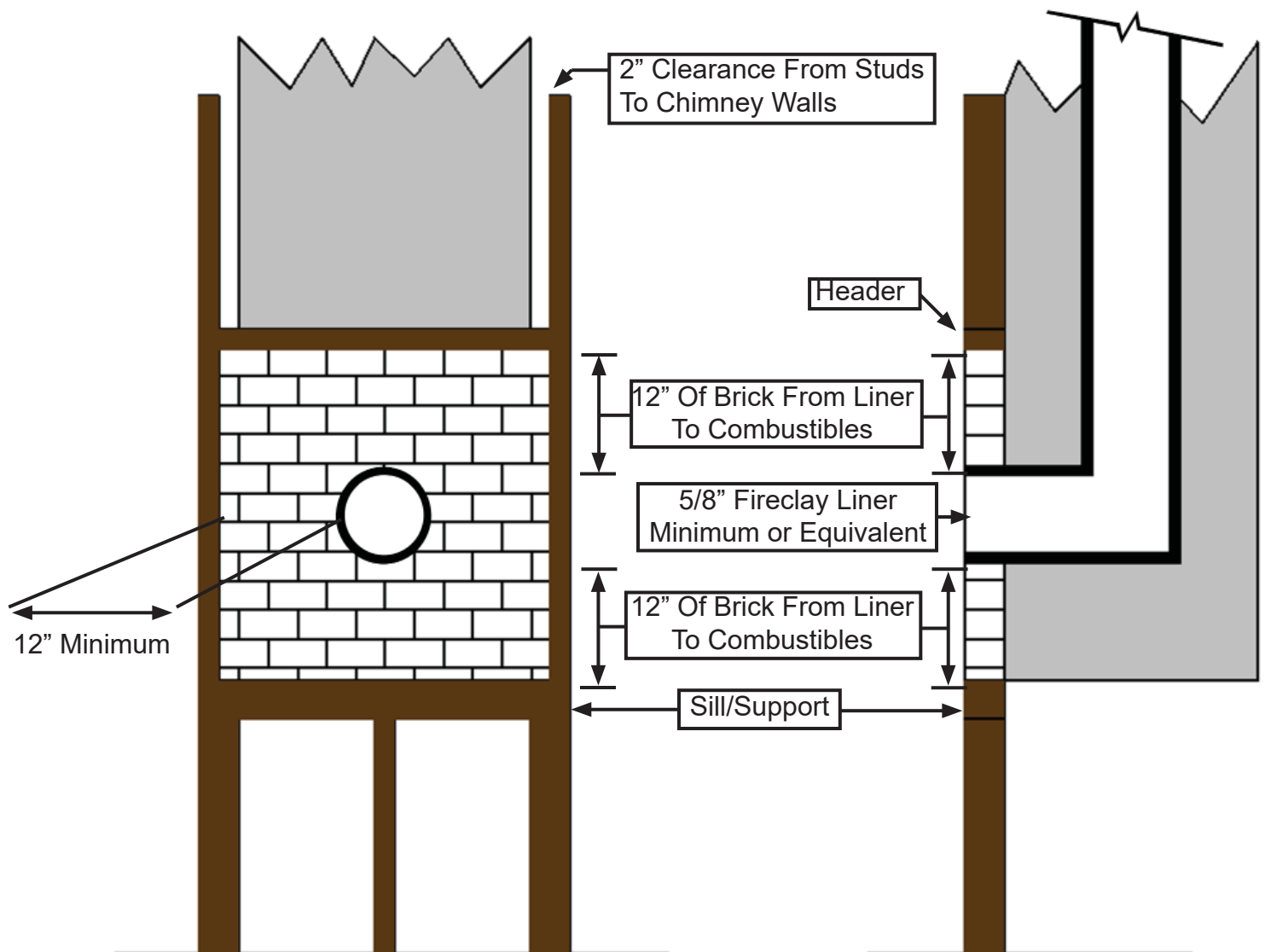


Figure 4

Masonry Chimney

If using a masonry chimney, it must meet the minimum standards of the National Fire Protection Association (NFPA) Standard 211. The chimney must have at least a 5/8" fire clay liner or a listed chimney liner system. The chimney must be inspected for cracks, loose mortar, or any other signs of deterioration. It is best to have the chimney inspected by a professional. Make certain the chimney is cleaned prior to installation of this fireplace. The size of the chimney should be between 36 and 96 square inches. Larger chimneys should be relined to meet these requirements. Incorrect sizing of the chimney may affect the draft and result in poor fireplace performance. Do not install more than one appliance to any chimney. There are different accepted methods of connecting the fireplace to a masonry chimney through a combustible wall. This type of installation requires the use of a thimble to protect the surrounding combustible materials. Check with your local building officials or consult NFPA211. See Figure 4, Page 6.

OPERATING INSTRUCTIONS

Failure to properly use and maintain this appliance may void the manufacturer's warranty and could result in a house fire.

CAUTION: HOT WHILE IN OPERATION. DO NOT TOUCH. KEEP CHILDREN, CLOTHING AND FURNITURE AWAY. CONTACT MAY CAUSE SKIN BURNS. SEE NAMEPLATE AND INSTRUCTIONS.

Do Not over fire.

If any portion of the unit or flue starts to glow you are over firing. This is a free standing fireplace, do not use for any other purpose.

1. The first few fires should be small in order to properly cure the painted surfaces and refractory. During the first few fires, some smoking may occur as the paint cures. You may wish to open a window to minimize discomfort during this curing period.
2. **DO NOT BURN TRASH OR GARBAGE IN THIS UNIT.** When building a fire, be sure the damper is fully opened and sufficient combustion air is available. Place dry kindling on dry wadded paper then ignite with a match. Add progressively larger pieces of wood until the fire is well established. Leave the damper fully open. Close only after the fire has burned out completely. Add additional firewood as needed to maintain the fire.
3. The fire screen must be in place during operations. **THIS FIREPLACE STOVE HAS NOT BEEN TESTED FOR USE WITH DOORS. TO REDUCE THE RISK OF FIRE OR INJURY, DO NOT INSTALL DOORS.**
4. Keep the pipe damper in the full open position when the fireplace is being used.
5. **CAUTION:** Heating the air in a closed building decreases the relative humidity of the air, which will dry wood and other combustible materials. This drying lowers the ignition temperature of these materials thus increasing fire hazards. To reduce the risk of fire, some provision should be made for replenishing moisture to the air whenever a structure is being heated for extended periods.
6. Be sure to provide combustion air into the dwelling when using this or any other wood burning appliance. A partially open window or outside air register in the vicinity of the unit would be acceptable. Combustion air must be supplied in conformance with the Uniform Mechanical Code.
7. **CAUTION: NEVER USE GASOLINE, GASOLINE TYPE LANTERN FUEL, KEROSENE, CHARCOAL LIGHTER FLUID, OR SIMILAR LIQUIDS TO START OR "FRESHEN UP" A FIRE IN THIS HEATER. KEEP ALL SUCH LIQUIDS WELL AWAY FROM THE HEATER WHILE IN USE.**
8. **DISPOSAL OF ASHES:** Ashes should be placed in a metal container with a tight fitting lid. The closed container of ashes should be placed on a noncombustible floor or on the ground, well away from all combustible materials, pending final disposal. If the ashes are to be disposed of by burial in soil or otherwise locally dispersed, they should be retained in the closed container until all cinders have thoroughly cooled.
9. **READ MAINTENANCE INSTRUCTIONS.**

IN CASE OF A CHIMNEY FIRE

A safe and correct installation and extra care will help prevent a fire, but accept the idea that there could be a fire. Be prepared to handle it. Make certain everyone in the house is familiar with the warning signs of a chimney fire:

1. Call the Fire Department immediately, before doing anything else.
2. Discharge a dry chemical extinguisher into the fireplace opening. If an extinguisher is not available, toss baking soda into the opening. Do not pour water on the fire.
3. Close all air intakes to the firebox and leave closed until the fireplace, stove or stove pipe is completely cooled.
4. Watch for sparks on the roof. If necessary, hose down the roof around the chimney. **DO NOT** pour water down or on the chimney.
5. After the fire is completely out, inspect the chimney for any signs of damage. If you are not certain, have your local Fire Department inspect the chimney for you. Never use a flammable liquid to kindle or rekindle a fire.
6. Never use coal in a fireplace. Coal should be used only in stoves especially designed to burn coal. If the toxic gases produced enter the room they can be fatal.

MAINTENANCE INSTRUCTIONS

Failure to properly use and maintain this appliance may void the manufacturer's warranty and could result in a house fire.

1. Always keep the area around the unit clean and clear of furniture and other objects. Keep all furniture a minimum of 48 inches away from the heater.
2. Periodically the entire unit, chimney connector, and chimney system must be inspected for leaks, broken or malfunctioning parts, and loose connections. If any problems are noted, contact your dealer for repair services. Do not operate the unit until repairs have been completed.

INSPECT AND CLEAN CHIMNEY FREQUENTLY - UNDER CERTAIN CONDITIONS OF USE, CREOSOTE BUILDUP MAY OCCUR RAPIDLY.

CREOSOTE FORMATION AND THE NEED FOR REMOVAL.

When wood is burned slowly, it produces tar and other vapors, which combine with moisture to form creosote. Creosote vapors condense in the relatively cool chimney flue, and creosote residue accumulates on the flue lining. When ignited, this creosote can make an extremely hot fire. The chimney connector and chimney should be inspected at least twice monthly during the heating season to determine if creosote buildup has occurred. If creosote has accumulated, it should be removed to reduce the chance of a chimney fire.

HOW TO REMOVE CREOSOTE.

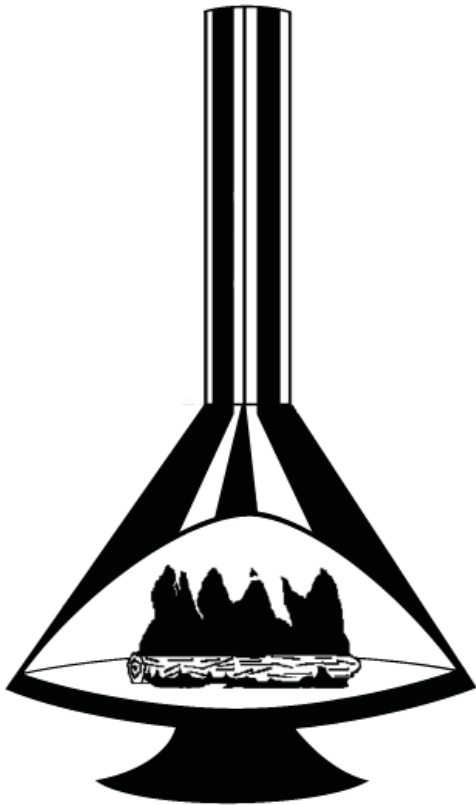
1. Clean the chimney with brushes and equipment available at local fireplace shops.
2. Chemical chimney cleaners are used by adding them to the fire, but they are not intended for use in chimneys already containing heavy soot deposits. Rather, they are intended to inhibit soot buildup. They can be used in metal chimneys provided the manufacturers instructions are strictly followed. Generally these commercial cleaners are quite effective.
3. Call a professional chimney sweep in your area. They possess the experience and tools necessary to make the task easy.

Maintenance other than the items specifically mentioned herein are to be performed by a qualified serviceman only. Contact your dealer. For further information on using your heater safely, obtain a copy of the National Fire Protection Association publication "Using Coal and Wood Stoves Safely," NFPA HS-10-1978. The address of the NFPA is Batterymarch Park, Quincy, MA 02269. File these instructions for future reference.

NEVER STORE OR ALLOW PAPERS, KINDLING, FIREWOOD OR ANY OTHER COMBUSTIBLES WITHIN 48 INCHES OF UNIT.

 **Malm Fireplaces, Inc.**

**368 Yolanda Avenue
Santa Rosa, Ca 95404
(707) 523-7755 - (800) 535-8955
Fax: (707) 571-8036
www.malmfireplaces.com
info@malmfireplaces.com**



Malm Fireplace, Inc.

368 Yolanda Avenue - Santa Rosa, Ca. 95404

(707) 523-7755 Fax: (707) 571-8036

ZIRCON 34

Woodburning

Tested to UL737 & ULC-S627-00

LabTest



Assemblage et l'installation Instructions
Laisser ces instructions avec le propriétaire.

AVIS DE SÉCURITÉ

Si ce foyer ne est pas installé correctement , un incendie peut en résulter. Pour réduire le risque d'incendie, suivez les instructions d'installation.

Contactez le service des incendies à propos des restrictions et exigences d'inspection d'installation dans votre région.

Ce poêle doit être connecté à (1) une cheminée se conformer aux exigences de type HT cheminées dans la norme pour les cheminées, usine de construction, de type résidentiel et appareil de chauffage, UL 103, ou (2) d'une cheminée en maçonnerie codeapproved avec une cheminée liner.

Se il vous plaît lire l'intégralité de ce manuel avant d'installer et d'utiliser votre nouveau foyer.

Le non-respect des instructions peut entraîner des dommages matériels, des blessures, voire la mort.

NE PAS INSTALLER CET APPAREIL DANS UNE MAISON MOBILE.

MONTAGE ET INSTALLATION INSTRUCTIONS.

1. Retirez soigneusement tous les composants des cartons d'expédition et inspecter les dommages. Si un dommage est noté contactez la compagnie maritime ou de votre revendeur immédiatement. NE PAS INSTALLER CET APPAREIL SI pièce endommagée ou manquante.
2. Protéger le plancher près de l'endroit prévu pour l'installation avec un vieux tapis, une couverture, ou en carton. Placez le foyer sur ce matériau.
3. Mélanger et installer le foyer réfractaire Malmcrete comme suit:
 - a. Obtenir un récipient de mélange étanche à l'eau solide comme une brouette ou grand bain de lavage, un seau ou peut par transport du mélange, une truelle de ciment, et une source d'eau propre de gâchage. Il est suggéré que le Malmcrete être mélangé à l'extérieur pur éviter les fuites ou éclaboussures dans le logement.
 - b. Verser le mélange Malmcrete sec dans le récipient de mélange.
 - c. Utiliser de l'eau de 1 quart pour chaque sac.
 - d. Ajouter 1.2 à 3.4 de l'eau au mélange sec et mélanger thoroughly. Ajouter de l'eau dans de petits incréments, le mélange thoroughly entre les ajouts. Ne pas ajouter plus d'eau que ce qui est nécessaire pour obtenir un mélange un peu sec; pour autant eau dans le mélange peut provoquer le réfractaire à craquer trop, et permettra de réduire la force de la réfractaire.

Pour tester la teneur en eau appropriée, couper verticalement dans le mélange à la truelle, pousser la truelle sur le côté pour ouvrir 3 pouce de profondeur de 2 pouces de large coupe dans le mélange, puis faites glisser la truelle sauvegarde de la coupe. La coupe doit rester ouvert avec très peu de "l'effondrement" de nouveau dans la coupe. Ensuite, exécutez la truelle sur la surface du mélange avec la lame avec un léger angle à la surface du mélange, comme la propagation de beurre. Le mélange doit devenir relativement lisse avec peu de vides après six ou sept passes de la truelle en utilisant une pression modérée. Eau ne devrait pas flotter à la surface du mélange.
 - e. Transférer le mélange dans la zone de poêle (au sol) à l'intérieur du foyer, épandant le mélange comme il est ajouté. Utilisation la truelle pour répandre le mélange dans la zone du foyer. Continuer à ajouter réfractaire jusqu'à ce qu'il y ait un minimum de 2 pouces d'épaisseur sur toute la surface de la sole. Pour mesurer la profondeur du mélange, placez un morceau de ruban 2 pouces de la pointe fin d'un long clou. Insérez le clou verticalement à travers le mélange tous les 6 pouces (avant vers l'arrière et de gauche à droite) à travers le foyer; le mélange doit venir à une hauteur uniforme jusqu'à l'ongle, ou légèrement au-dessus de la bande. Truelle dans l'ongle trous une fois rempli.
 - f. Laisser le mélange durcir au moins 48 heures. Temps de durcissement supplémentaire est nécessaire dans des températures fraîches. Plus Malmcrete est autorisé à guérir avant le premier feu est allumé, le plus fort et plus durable, il va devenir.
 - g. Faire les trois ou quatre premiers feux très faible et de courte durée pour permettre le réfractaire à se adapter à la température élevée d'un incendie.

Exigences pour les âtres

Un protecteur de plancher est nécessaire pour protéger le sol en face de l'ouverture du foyer des étincelles . Le protecteur de plancher doit avoir un minimum de 3/8 pouce d'épaisseur matériau non - combustibles comme la brique, le béton, l'ardoise, les carreaux de céramique , ou un plancher cotée Comité de la protection tels que Wonderboard ou Homosote.

Le protecteur de plancher doit dépasser d'au moins 16 pouces à l'avant de l'ouverture du foyer et 8 pouces de chaque côté de la cheminée. Le zircon a été conçu pour fournir une protection du sol, permettant pour la conception flexible de la mise en foyer.

Dégagements aux combustibles

Le Zircon nécessite une autorisation de murs combustibles de 10 " mesurées à l'arrière de l'appareil. Pour localiser le centre de la cheminée de la mesure est de 16 " à partir de la paroi arrière et 49 " à la paroi latérale. Voir figure 1, page 3. Pour coin l'installation du centre de la cheminée est de 19 ". Voir la figure 2, page 3.

Dégagement à des non- combustibles

La clairance de zircon à un mur combustible peut être réduite une protection adéquate de la paroi. Méthodes acceptées pour le mur protection permettrait la réduction des dégagements . Pour l'apparence , si vous le souhaitez un revêtement de mur incombustible peut placé sur le mur. Le revêtement devrait être composé d'un conseil de protection de la paroi cotée installé sur le fabricant spécifications. Panneaux de protection approuvés au moment de cette publication sont Wonderboard, Dura Rock and Homosote. Un matériau incombustible peut alors être placé sur le panneau de protection de mur. Avec la plupart des panneaux de protection contre la clairance peut être réduite à 8 pouces du mur combustible d'origine. Soyez certain de vérifier avec votre bâtiment local fonctionnaires et inspecteur des incendies ou des méthodes acceptées dans votre région. Reportez-vous à la norme NFPA 211.

DÉGAGEMENTS

FLANC ET INSTALLATION ARRIÈRE

Unité de flanc -----	813mm
Unité de paroi arrière -----	254mm
Connecteur à la paroi latérale -----	1143mm
Centre de connecteur à la paroi latérale--	1245mm
Retour connecteur pour mur -----	305mm
Centre de connecteur à l'arrière-mur -----	406mm

INSTALLATION EN COIN

Unité au mur adjacent -----	254mm
Connecteur à Wall Adjacent-----	381mm
Centre de connecteur à mur adjacent -----	483mm

Toutes les dimensions ci-dessous sont en millimètres.

Taille minimum Hearth----- 1270 x 32"

Foyers ne est pas nécessaire pour se étendre sous la base du zircon.

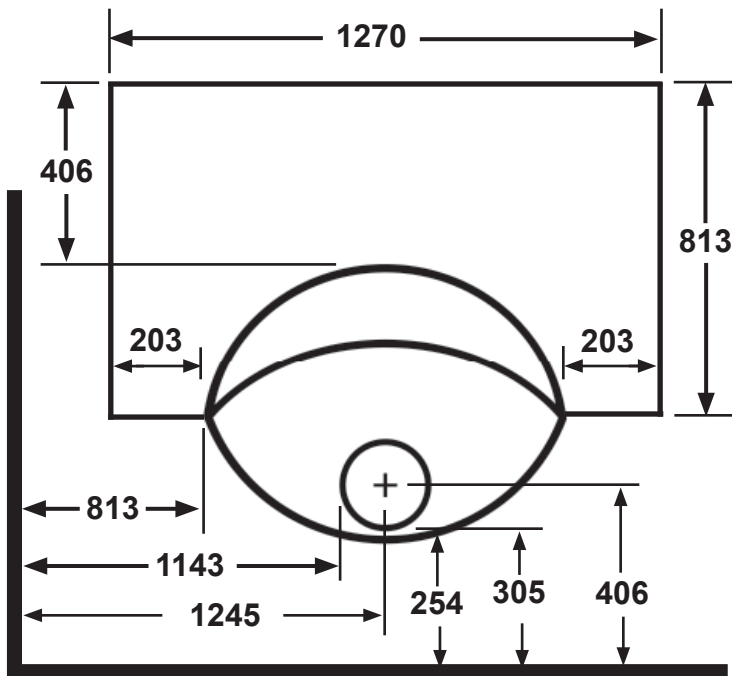


FIGURE 1

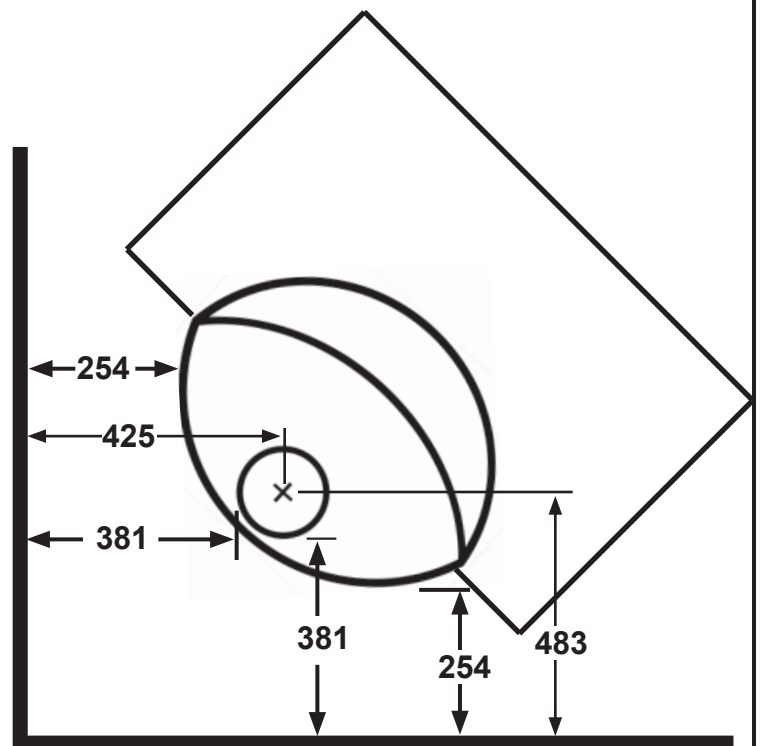


FIGURE 2

Dimensions de foyer indiquées sont des exigences minimales. Il peut être souhaitable de excede ces dimensions minimales pour une installation plus décoratif. Le matériau de l'âtre doit être 3/8 "ou matériaux incombustibles plus épais. Il ne est pas nécessaire pour le matériau de foyer pour se étendre sous le fond de la cheminée.

MONTAGE ET INSTALLATION INSTRUCTIONS Suite

NE PAS RACCORDER CET APPAREIL à un conduit de cheminée desservant un autre APPAREIL.

Ce poêle doit être connecté à (1) une cheminée se conformer aux exigences de type HT cheminées dans la norme pour les cheminées, usine de construction, de type résidentiel et appareil de chauffage, UL 103, ou (2) d'une cheminée en maçonnerie de code approuvé avec une chemise de combustion.

NE PAS RACCORDER À UN CONDUIT DE DISTRIBUTION D'AIR OU SYSTÈME.

Installation raccord de cheminée

Le tuyau de raccordement fourni avec le Zircon est 1-8 pipe "x 24" d'amortisseur, 1-8 section "x 24" de la conduite et Connecteur 8 "x 24" de glissement - 1. Le connecteur de glissement est identifié par trois trous dans le haut de la conduite. Le connecteur de glissement a une ambiance au sommet, avec les trois trous. Le fond est lisse. La section de l'amortisseur et la section intermédiaire de tuyau ont flairings aux deux extrémités. L'extrémité mâle est toujours au fond.

Simpson Dura-Vent Système Cheminée

It is required to use a Dura-Vent Connector part number 8DVL-ADC or 8DBK-ADSL to install the chimney connector.

1. Le connecteur 8DVL-ADC or 8DBK-ADSL est installé dans la zone de soutien. Le tuyau 8 "x 24" de glissement est ensuite raccordé au connecteur.
2. La section de tuyau intermédiaire 8 "x 24" est alors glissé sur le tuyau de raccordement de glissement. Faites glisser le tuyau de 24 pouces sur le tuyau juste assez fort que nécessaire de glissement pour faciliter l'installation de la conduite 8 "x 24" d'amortisseur à l'unité.
3. Faites glisser le tuyau 8 "x 24" vers le bas sur le tuyau d'amortisseur installé sur le Zircon.
4. Il doit y avoir un minimum de deux pouces de chevauchement entre les 8 "x 24" et 8 "x 24" tuyau de raccordement de glissement.

Metalbestos ou de Sécurité

Lors de l'utilisation Metalbestos ou systèmes de cheminées de sécurité, il est nécessaire d'utiliser le tuyau Metalbestos DS-CPA simple mur Conector. Les utilisateurs de sécurité doivent utiliser l'adaptateur ICC Excel Flue Extension (8EX).

1. Installation du Metalbestos DS-CPA ou l'adaptateur de sécurité UP doit être fait en premier.
2. Fixez le connecteur 8 "x 24" de glissement à la DS-CPA ou un adaptateur avec 3 - # 8 x 3/8 pouces vis.
3. L'article 8 "x 24" de tuyau est ensuite glissé dans le tuyau de raccordement de glissement. Faites glisser le tuyau de 24 pouces dans le tuyau juste assez fort que nécessaire de glissement pour faciliter l'installation de la conduite 8 "x 24" d'amortisseur dans l'unité.
4. Faites glisser le tuyau 8 "x 24" vers le bas sur la pièce installée sur le Zircon.
5. Il doit y avoir un minimum de deux pouces de chevauchement entre les 8 "x 24" et 8 "x 24" tuyau de r

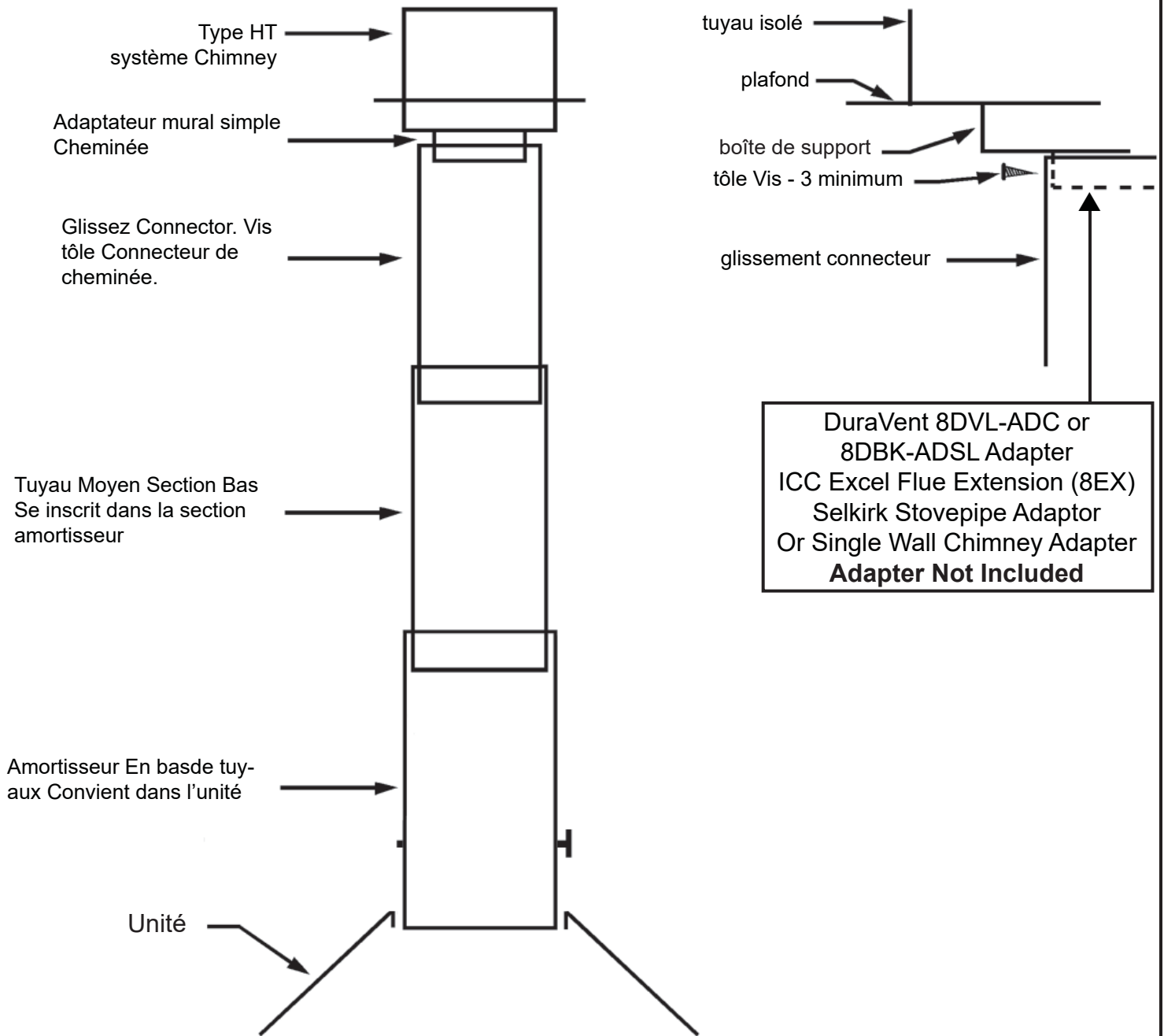
accordement de glissement. Autres Systèmes de cheminée

Il ya beaucoup d'autres fabricants de systèmes de cheminées. Il est au-delà de la portée de cette publication pour couvrir l'installation avec tous les différents systèmes disponibles. La plupart des systèmes ont une méthode de connexion au tuyau de raccordement du zircon. Confirmer les méthodes d'installation avec votre revendeur ou le fabricant du système de cheminée que vous avez acheté.

Cheminée de Maçonnerie

Si vous utilisez une cheminée de maçonnerie, il doit répondre aux normes minimales de la National Fire Protection Association (NFPA) standard 211. La cheminée doit avoir au moins une «couche d'argile de feu 5/8 ou d'un système de recouvrement de cheminée. La cheminée doit être inspectée pour fissures, du mortier lâche, ou d'autres signes de détérioration. Il est préférable d'avoir la cheminée inspecté par un professionnel. Assurez-vous que la cheminée est nettoyée avant l'installation de ce foyer. La taille de la cheminée doit être comprise entre 36 et 96 pouces carrés. Grandes cheminées doivent être regarnis pour répondre à ces exigences. Mauvaise dimensionnement de la cheminée peut affecter le projet et entraîner des performances de cheminée pauvres. Ne pas installer plus d'un appareil à ne importe quel cheminée. Il existe différentes méthodes acceptées de raccordement de la cheminée à une cheminée de maçonnerie à travers un mur combustible. Ce type d'installation nécessite l'utilisation d'un doigt de gant pour protéger les matériaux combustibles environnants. Vérifiez auprès de votre administration locale de construction ou consultez NFPA211. Voir Figure 4, Page 6.

Instructions RACCORDEMENT



L'illustration ci-dessus représente la procédure d'installation pour l'installation de la conduite anti-goutte. cette installation Procédé d'installation du tuyau de raccordement avec l'extrémité mâle vers le bas permet à l'humidité de rester sur le à l'intérieur du tuyau du connecteur.

À première vue, vous pouvez se inquiéter que la fumée se échappe du tuyau et entrer dans la salle. Ce ne est pas la façon dont le système fonctionnera. Le vide dans le système de cheminée sera toujours aspirer l'air dans la cheminée. Si vous rencontrez un courant descendant avec votre installation, il indique que la hauteur de la cheminée supplémentaire ou une spécialité projet bouchon être ajoutés à votre système de cheminée. Contactez votre revendeur pour de plus amples informations concernant les courants descendants.

Attachez et fixez le connecteur de cheminée avec un minimum de trois vis sur le Zircon et chaque section adjacente.

Liste du matériel

Inclus avec le zircon 34 est la suivante:

- 1 - 8 x 24 tuyau d'amortisseur
- 1 - 8 x 24 section de tuyau
- 1 - 8 x 24 tuyau de la section de glissement
- 4 - 6 de sacs de Malmcrete réfractaire.

MACONNERIE THIMBLE

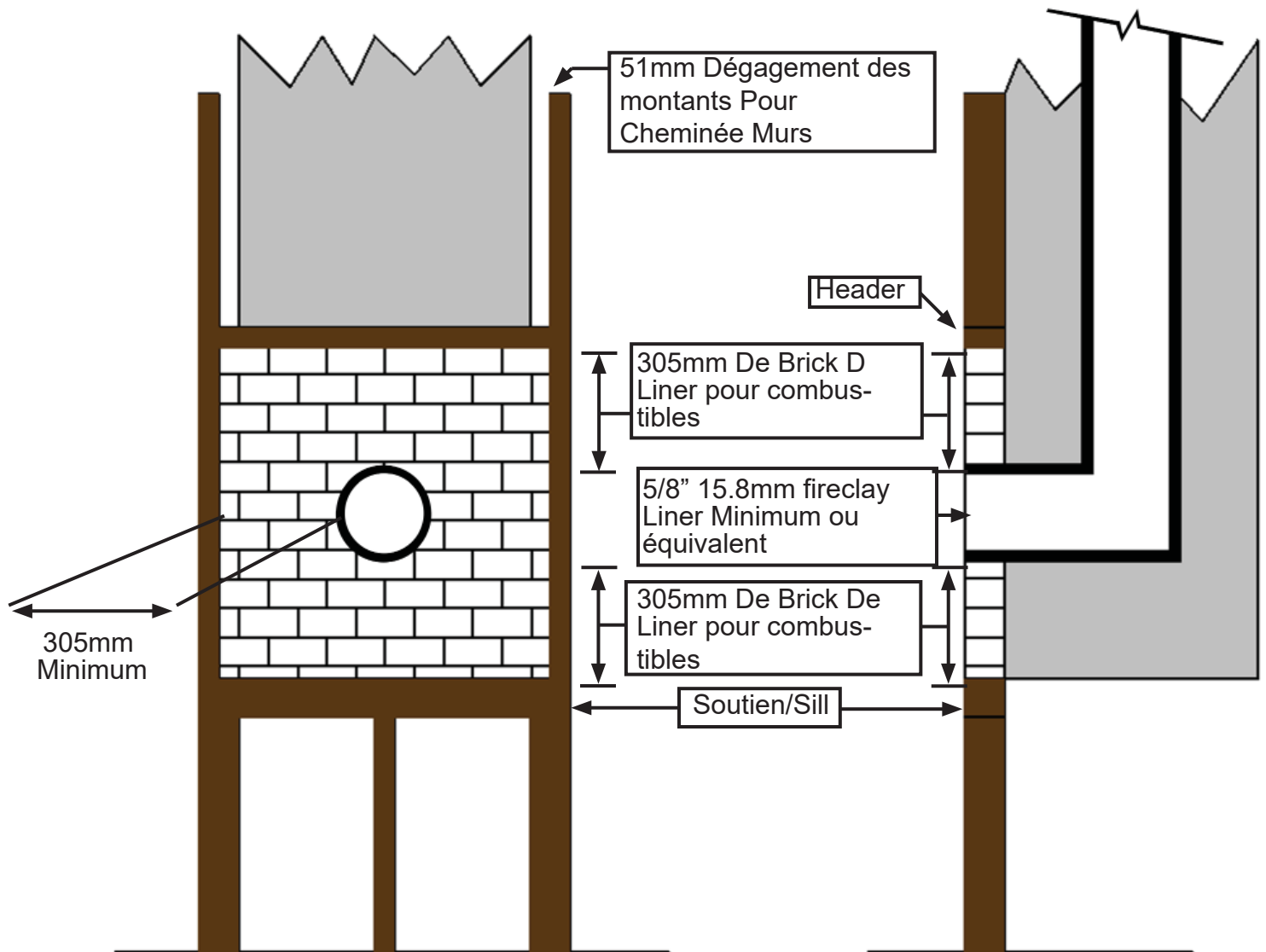


Figure 4

MODE D'EMPLOI

Manquement à utiliser correctement et de maintenir cet appareil peut annuler la garantie du fabricant et pourrait provoquer un incendie de maison.

ATTENTION: CHAUD EN FONCTIONNEMENT. NE PAS TOUCHER. GARDEZ LES ENFANTS, LES VÊTEMENTS ET LES MEUBLES. LE CONTACT PEUT PROVOQUER DES BRÛLURES CUTANÉES. VOIR PLAQUE SIGNALÉTIQUE ET LES INSTRUCTIONS.

Ne pas sur le feu.

Si une partie de l'unité ou de fumée commence à briller vous êtes surchauffe. Ce est un foyer permanent libre, ne pas utiliser pour toute autre fin.

1. Les premiers feux doivent être petites pour guérir correctement les surfaces peintes et réfractaire. au cours de la premières incendies, de la fumée peut se produire que les cures de peinture. Vous pouvez ouvrir une fenêtre pour minimiser inconfort au cours de cette période de durcissement.
2. **Ne pas brûler rebuts ou des déchets dans cette unité.** Lors de la construction d'un incendie, se assurer que le registre est entièrement ouvert et suffisamment d'air comburant est disponible. Placez du petit bois sec sur papier ouaté sèche ensuite enflammer un match. Ajouter progressivement plus grands morceaux de bois jusqu'à ce que le feu soit bien établi. Laissez le registre complètement ouverte. Fermer seulement après le feu a brûlé complètement. Ajouter bois supplémentaires au besoin pour maintenir le feu.
3. L'écran de feu doit être en place pendant les opérations. **CE FOYER FERMÉ N'A PAS ÉTÉ TESTÉ À UTILISER AVEC PORTES. POUR RÉDUIRE LES RISQUES D'INCENDIE OU DE BLESSURES, NE PAS INSTALLER PORTES.**
4. Gardez l'amortisseur de tuyau dans la position complètement ouverte lorsque le foyer est utilisé.
5. **ATTENTION:** Le chauffage de l'air dans un bâtiment fermé diminue l'humidité relative de l'air, qui va sécher le bois et d'autres matériaux combustibles. Ce séchage réduit la température d'inflammation de ces matériaux ainsi augmentant les risques d'incendie. Pour réduire le risque d'incendie, certaines dispositions doivent être prises pour reconstituer l'humidité à l'air chaque fois que la structure est chauffée pendant de longues périodes.
6. Assurez-vous de fournir de l'air de combustion dans le logement lors de l'utilisation ou de tout autre appareil de chauffage au bois. Un partiellement fenêtre ouverte ou à l'extérieur registre d'air dans le voisinage de l'unité seraient acceptables. L'air de combustion doivent être fournis en conformité avec le Code mécanique uniforme.
7. **ATTENTION: NE JAMAIS UTILISER D'ESSENCE, TYPE ESSENCE LANterne ESSENCE, DE KÉROSÈNE, BRIQUET, OU DE LIQUIDES POUR ALLUMER OU "RAVIVER" UN FEU DANS CET APPAREIL. GARDEZ TOUS CES LIQUIDES LOIN DU TOUT DE CHAUFFAGE EN UTILISATION.**
8. **ÉLIMINATION DES CENDRES:** Les cendres devraient être placées dans un contenant métallique avec un couvercle hermétique. le fermé récipient de cendres devrait être placé sur un plancher incombustible ou sur le sol, loin de tout matériaux combustibles, en attendant l'élimination finale. Si les cendres doivent être éliminés par enfouissement dans le sol ou autrement dispersé localement, elles devraient être maintenues dans le récipient fermé jusqu'à ce qu'elles soient complètement refroidies.
9. **LIRE LES INSTRUCTIONS DE MAINTENANCE.**

EN CAS DE FEU DE CHEMINÉE

Une installation et de soins supplémentaires sûre et correcte aidera à prévenir un incendie, mais accepter l'idée qu'il pourrait y avoir un incendie. Soyez prêt à gérer. Assurez-vous que tout le monde dans la maison est familier avec les signes annonciateurs d'un feu de cheminée:

1. Appelez les pompiers immédiatement, avant de faire quoi que ce soit d'autre.
2. Décharge un extincteur chimique sec dans l'ouverture de foyer. Si un extincteur ne est pas disponible, mélanger bicarbonate de soude dans l'ouverture. Ne pas verser de l'eau sur le feu.
3. Fermez toutes les prises d'air à la chambre de combustion et laisser fermé jusqu'à ce que la cheminée, poêle ou tuyau de poêle est complètement refroidi.
4. Surveillez les étincelles sur le toit. Si nécessaire, arroser le toit autour de la cheminée. **NE PAS** verser de l'eau ou vers le bas sur la cheminée.
5. Une fois le feu est complètement éteint, inspecter la cheminée pour tout signe de dommages. Si vous n'êtes pas certain, demandez à votre service d'incendie local inspecter la cheminée pour vous. Ne jamais utiliser un liquide inflammable pour allumer ou raviver un feu.
6. Ne utilisez jamais de charbon dans une cheminée. Coal doit être utilisé que dans les poêles spécialement conçus pour brûler du charbon. Si le toxiques gaz produits entrent dans la salle, ils peuvent être mortels.

INSTRUCTIONS DE MAINTENANCE

Manquement à utiliser correctement et de maintenir cet appareil peut annuler la la garantie du fabricant et pourrait provoquer un incendie de maison.

1. Toujours garder la zone autour de l'unité propre et claire de meubles et d'autres objets. Gardez tous les meubles d'un minimum de 48 pouces de l'appareil de chauffage.
2. Périodiquement l'unité entière, connecteur cheminée, et de la cheminée doit être inspecté pour les fuites, les pièces cassées ou défectueuses, et les connexions desserrées. Si des problèmes sont constatés, contactez votre revendeur pour les services de réparation. Ne pas faire fonctionner l'appareil jusqu'à ce que les réparations ont été achevées.

Inspecter et nettoyer fréquemment la cheminée - sous certaines CONDITIONS D'UTILISATION, l'accumulation de crésote peut arriver rapidement.

CRÉOSOTE FORMATION ET LA NECESSITE POUR LE RETRAIT.

Lorsque le bois brûle lentement, il produit du goudron et d'autres vapeurs, qui se combinent avec l'humidité pour former la crésote. Vapeurs de crésote se condensent dans le conduit de cheminée relativement froid, et les résidus de crésote se accumulent sur les parois du conduit. Lorsqu'elle se enflamme, la crésote peut faire un feu extrêmement chaud. Le connecteur de cheminée et la cheminée devraient être inspectés au moins deux fois par mois pendant la saison de chauffage pour déterminer si l'accumulation de crésote se est produite. si crésote se est accumulée, elle doit être enlevée pour réduire le risque d'un feu de cheminée.

COMMENT FAIRE POUR SUPPRIMER LA CRÉOSOTE.

1. Nettoyez la cheminée avec des brosses et équipements disponibles dans les magasins de cheminée locales.
2. chimiques nettoyage des cheminées sont utilisés en les ajoutant à l'incendie, mais ils ne sont pas destinés à être utilisés dans les cheminées contenant déjà des dépôts de suie. Plutôt, ils sont destinés à inhiber l'accumulation de suie. Ils peuvent être utilisés dans les cheminées métalliques prévues les instructions du fabricant sont strictement suivies. Généralement, ces nettoyeurs commerciaux sont très efficaces.
3. Appeler un ramoneur professionnel dans votre région. Ils possèdent l'expérience et les outils nécessaires pour rendre la tâche facile.

Entretien autre que les articles spécifiquement mentionnés dans ce document sont à effectuer par un technicien qualifié seulement. Contactez votre revendeur. Pour de plus amples informations sur l'utilisation de votre appareil en toute sécurité, obtenir une copie de la National Fire

Publication Protection Association «Utilisation du charbon et de bois Poêles en toute sécurité», NFPA HS-10-1978.

L'adresse de la la NFPA est Batterymarch Park, Quincy, MA 02269. Fichier ces instructions pour référence future.

Ne rangez jamais OU LAISSER papiers, POELE, bois de chauffage ou D'AUTRES COMBUSTIBLES dans les 48 POUCES de l'appareil.

 **Malm Fireplaces, Inc.**

368 Yolanda Avenue

Santa Rosa, Ca 95404

(707) 523-7755 - (800) 535-8955

Fax: (707) 571-8036

www.malmfireplaces.com

info@malmfireplaces.com