

# Malm Fireplaces, Inc.

368 Yolanda Avenue  
Santa Rosa, Ca 95404  
(707) 523-7755 - Fax: (707) 571-8036  
info@malmfireplaces.com

## Gas Zircon 34



ANSI Z21.50  
CSA 2.22 -2014

### Assembly And Installation Instructions LEAVE THESE INSTRUCTIONS WITH THE OWNER. Listed Vented Decorative Gas Appliance



Shown with optional porcelain base.

#### FOR YOUR SAFETY

Do not store or use gasoline or other flammable vapors and liquids in the vicinity of this or any other appliance.

#### FOR YOUR SAFETY WHAT TO DO IF YOU SMELL GAS

- Open Windows
- Do not try to light any appliance.
- Do not touch any electrical switch; do not use any phone in your building.
- Immediately call your gas supplier from a neighbor's phone. Follow the gas supplier's instructions.
- If you cannot reach your gas supplier; call the fire department.

**WARNING:** Improper installation, adjustment, alteration, service or maintenance can cause injury or property damage. Refer to this manual. For assistance or additional information consult a qualified installer; service agency or the gas supplier.

Do not use this appliance if any part has been under water. Immediately call a qualified service technician to inspect the heater and replace any part of the control system and any gas control that has been under water.

This appliance is not for use with glass doors.

## **GENERAL INFORMATION**

This appliance has been tested in accordance with National Safety Standards and has been certified by Lab Test for installation and operation as described in this manual.

Please read all the instructions before beginning your installation. Check with your local building code agency to ensure compliance with local codes. In the absence of local codes the installation must comply with National Fuel Gas Code ANSI Z22.3.1. In Canada, current CAN/CGA-B149.1 and B149.2 installation codes.

**Installation and repair should be done by a qualified service person. The appliance should be inspected before use and at least annually by a qualified service person. More frequent cleaning may be required due to excessive lint from carpeting, bedding material, etc. It is imperative that control compartments, burners and circulating air passageways of the appliance must kept clean.**

**Unpack all parts from cartons carefully inspecting all parts. If any parts are damaged or missing, contact shipper or dealer immediately.**

**Do not install this appliance using damaged parts.**

## **GAS SUPPLY**

For use with natural gas or propane gas, depending on which option you have ordered. The minimum inlet gas supply pressure for the purpose of input adjustment:

|         |   |                                     |                                      |
|---------|---|-------------------------------------|--------------------------------------|
| Natural | = | Minimum 5.5" Water Column (1.4 kPa) | Maximum 10.5" Water Column (2.6 kPa) |
| Propane | = | Minimum 11" Water Column (2.75 kPa) | Maximum 13" Water Column (3.25 kPa)  |

- a. The supply system should include a manual shut-off valve and union in the line, so that the heater can be disconnected for servicing.
- b. The appliance and its individual shut-off valve must be disconnected from the gas supply piping system during any pressure testing of that system at test pressures in excess of 1/2 psig (3.5 kPa).
- c. The appliance must be isolated from the gas supply piping system by closing its individual manual shut-off valve during any pressure testing of the gas supply piping system at test pressures equal to or less than 1/2 psig (3.5 kPa).
- d. A 1/8 inch N.P.T. plugged tapping is provided, for test gauge connection, on the elbow adjacent to the gas control valve.

**Due to high temperatures, the appliance should be located out of traffic and away from furniture and draperies.**

## **VENTING**

The unit is a vented appliance and must be connected to a chimney/flue in accordance with the code, using the chimney manufacturer's instructions. Minimum connector length is 4'.

**This appliance must not be connected to a chimney flue servicing a separate solid fuel burning appliance.**

## **VENT DAMPER**

This appliance may be installed with vent damper device Part No. MD8. Follow installation instructions for this part. This part is to be installed by a qualified service person.

The vent damper is located in the mid section of pipe. Only this appliance may be served by the vent damper device installed on this unit. The vent damper device should be inspected annually by a qualified installer.

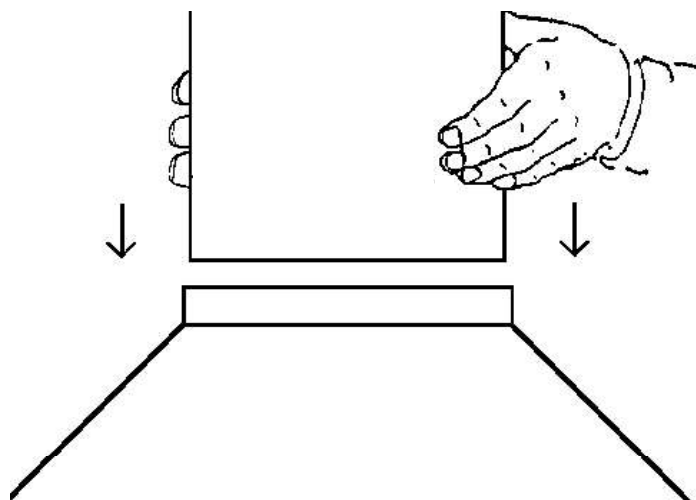
The thermally controlled vent damper is an energy saving device designed for installation in vents of listed gas-fired appliances equipped with a draft hood. The damper saves energy by preventing the escape of heated air through the venting system, when the appliance is not in use.

It has a round plate which will remain closed when the appliance is not in operation. Upon ignition of the appliance, the hot flue gases reach the damper, causing the damper plate to thereby open the vent passage within a short period of time.

Installation of vent dampers can increase the potential for condensation in oversized masonry chimneys. This is due to poor thermal insulation of the chimney and reduced air movement when the damper is closed. We recommend that masonry chimneys be lined with materials such as Type B gas vent, aluminum or stainless steel to reduce the chance of condensation. Most building codes, in fact, require the lining of chimneys when gas appliances are vented into masonry chimneys.

**Minimum connector length is 48"**

**The starter section slips into the unit collar.**



## CLEARANCES

Make sure that minimum clearances to combustibles are maintained during installation including adequate space for the proper operation and servicing of the heater.

The minimum clearances from the appliance to combustibles are shown on figures 1 and 2. Place the appliance on a flat, solid, continuous surface (i.e. wood, tile, concrete, metal). The unit must be placed on a stable surface that will not cause the unit to move if you were to walk in front of the unit. When installed on carpet it may be necessary to remove thick padding from the area directly below the unit pedestal.

**NOTE:** Ensure that the combustion air opening of the heater is not obstructed. Provision must be made for adequate combustion and ventilation air, with sufficient clearances around the opening. There must be adequate accessibility clearance for servicing and proper operation.

---

## CLEARANCES

### SIDEWALL AND BACKWALL INSTALLATION

|                                       |     |
|---------------------------------------|-----|
| Unit to Sidewall -----                | 3"  |
| Unit to Backwall -----                | 3"  |
| Connector to Sidewall -----           | 16" |
| Center of Connector to Sidewall ----- | 20" |
| Connector to Backwall -----           | 5"  |
| Center of connector to Backwall ----- | 9"  |

### CORNER INSTALLATION

|  |     |
|--|-----|
| Unit to Adjacent Wall -----                | 3"  |
| Connector to Adjacent Wall -----           | 8"  |
| Center of Connector to Adjacent Wall ----- | 12" |

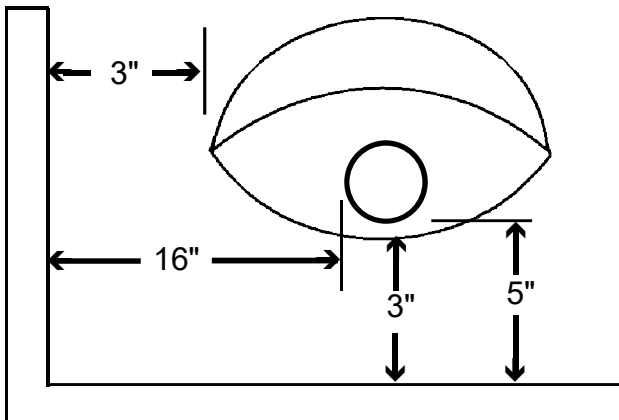


Figure 1

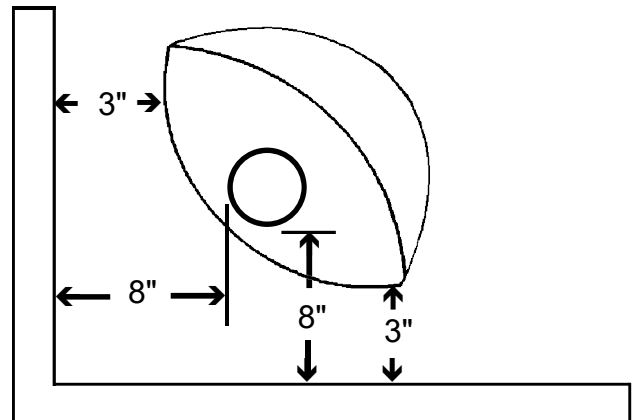


Figure 2

### **WARNING**

Children and adults should be alerted to the hazards of high surface temperature and should stay away to avoid burns or clothing ignition. Young children should be carefully supervised when they are in the same room as the appliance. Toddlers, young children, and others may be susceptible to accidental contact burns. A physical barrier is recommended if there are at-risk individuals in the house. To restrict access to a fireplace or stove, install an adjustable safety gate to keep toddlers, young children, and other at-risk individuals out of the room and away from hot surfaces.

### **CAUTION**

Any safety screen or guard removed for servicing an appliance must be replaced prior to operating the appliance. If the barrier becomes damaged, the barrier shall be replaced with the manufacturer's barrier for this appliance.

Clothing or other flammable material should not be placed on or near the appliance.

# Installation Instructions

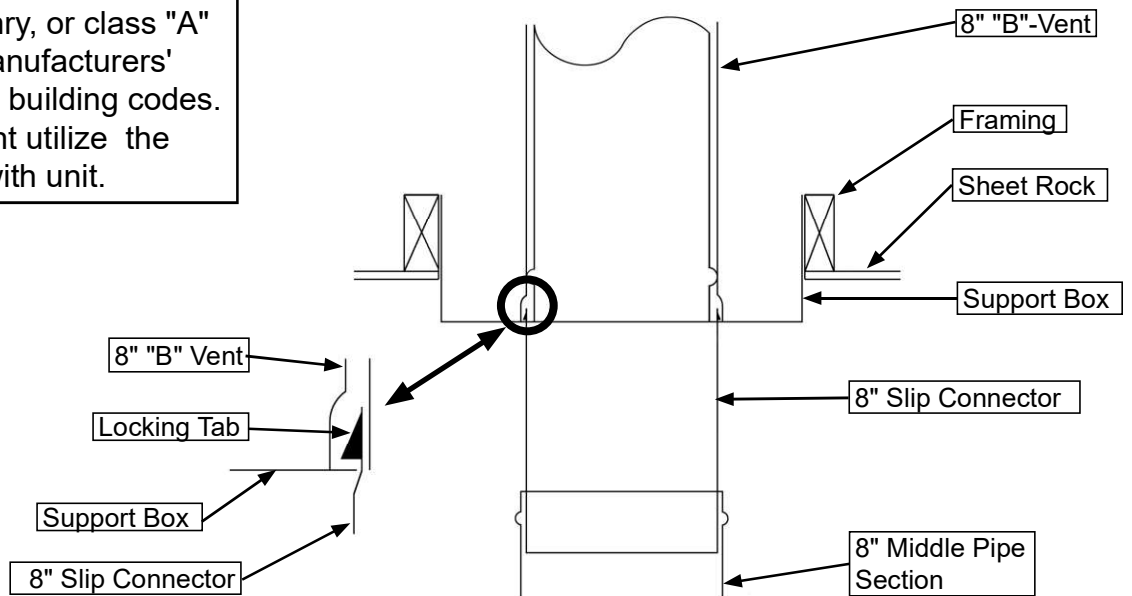
## Do Not Install In A Mobile Home

**READ ALL INSTRUCTIONS CAREFULLY BEFORE STARTING THE INSTALLATION.**

Position unit to comply with the minimum clearances to combustibles materials. Minimum clearances are shown in figures 1 and 2. It is recommended that no overhead cross members in the ceiling or roof be cut. Reposition unit if necessary, being careful not to move closer than the minimum clearances.

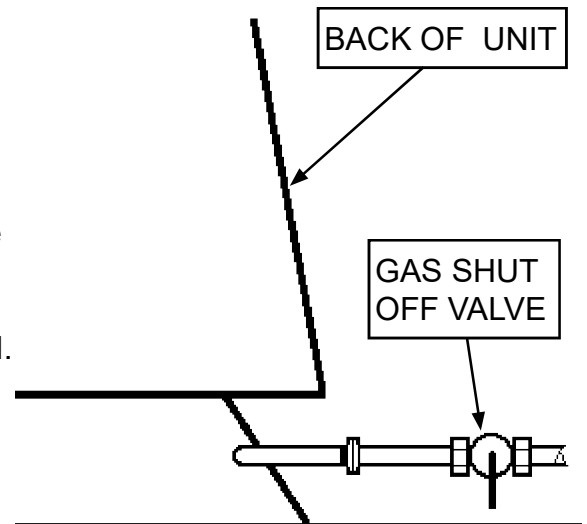
### VENTING REQUIREMENTS

Use a "B" vent, masonry, or class "A" chimney. Follow all manufacturers' requirements and local building codes. If you are using "B" vent utilize the support box supplied with unit.

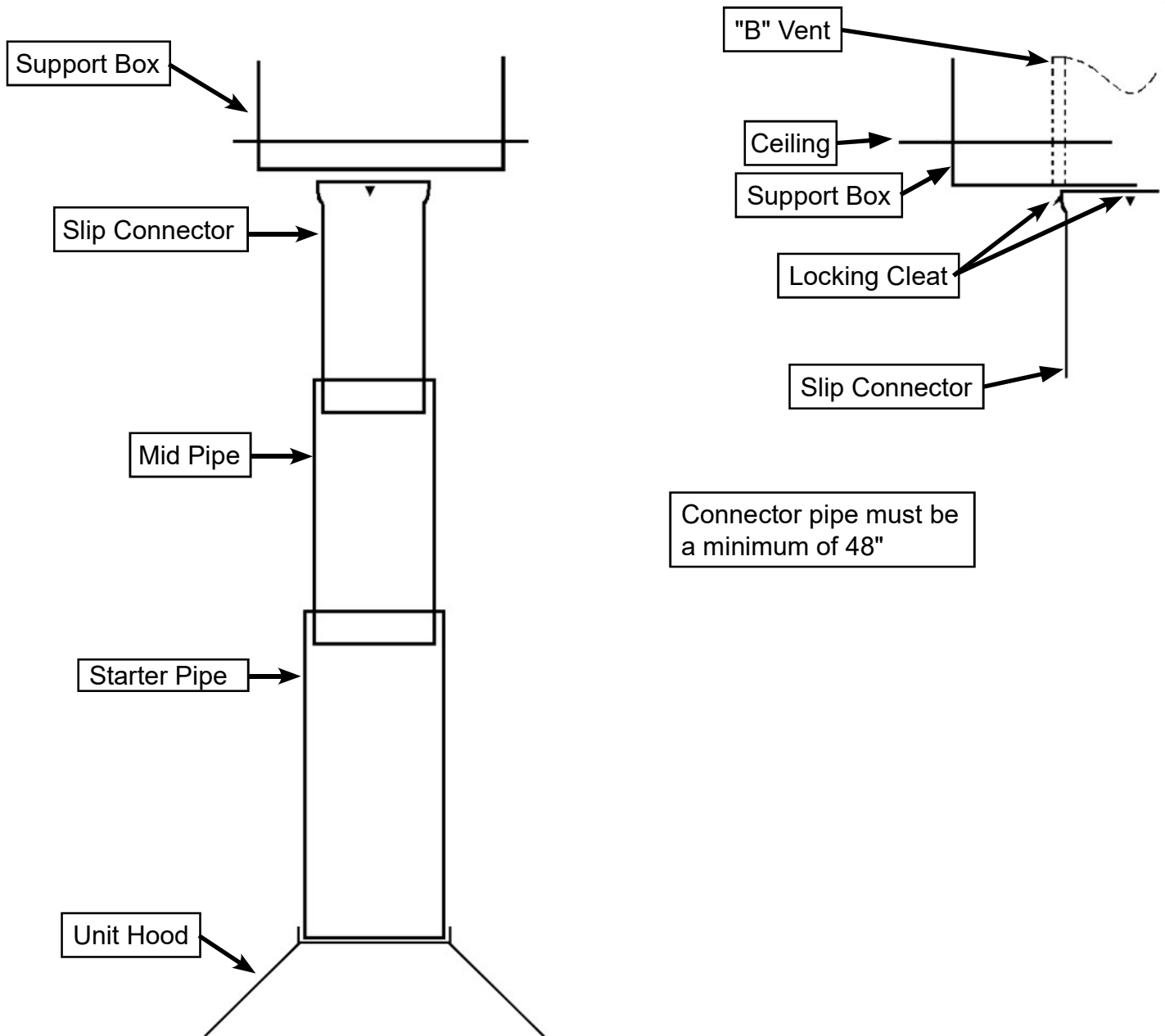


### GAS LINE ATTACHMENT

The gas supply line must be installed at the rear right side of the gas unit. This supply line must be a minimum of 1/2", black iron type pipe. A separate manual shut off valve should always be used. Check with local codes for its required placement and valve type. In general it must be placed within 6' of the appliance. This valve is not provided.



# Chimney Connector Instructions



1. The slip connector section has three locking cleats located at the top of the pipe. After the support box has been installed the slip connector is inserted into the bottom of the support box. The cleat will lock into place as the pipe is pushed up into the support box.
2. Slip one of the mid sections over the slip connector. Slide the mid section up only enough to allow the placement of the next section of pipe between the unit and the bottom of the mid pipe that was placed onto the slip connector.
3. Place the remaining mid section into the collar on top of the unit.
4. Pull the mid section that is on the slip connector down into the mid section that is installed into the unit.


# OPERATING INSTRUCTIONS

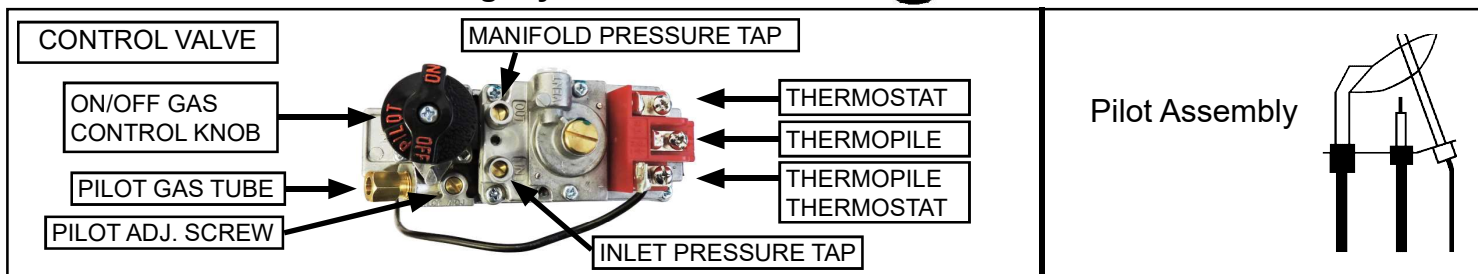
## FOR YOUR SAFETY READ BEFORE LIGHTING

**WARNING:** If you do not follow these instructions exactly, a fire or explosion may result causing property damage, personal injury or loss of life.



- A. Follow these instructions exactly. This appliance has a pilot which must be lighted by hand.
- B. **BEFORE LIGHTING** smell all around the appliance area for gas. Be sure to smell next to the floor because some gas is heavier than air and will settle on the floor.  
**WHAT TO DO IF YOU SMELL GAS**  
Do not try to light any appliance.  
Do not touch any electric switch; do not use any phone in your building.  
Immediately call your gas supplier from a neighbor's phone. Follow the gas supplier's instructions. If you cannot reach your gas supplier, call the fire department.
- C. Use only your hand to push in or turn the gas control knob. Never use tools. If the knob will not push in or turn by hand, don't try to repair it, call a qualified service technician. Force or attempted repair may result in a fire or explosion.
- D. Do not use this appliance if any part has been under water. Immediately call a qualified service technician to inspect the appliance and to replace any part of the control system and any gas control which has been under water.

## LIGHTING INSTRUCTIONS

1. **STOP!** Read the safety information above on this label.
2. Push in the control knob slightly and turn clockwise  to "OFF".



**NOTE:** Knob cannot be turned from "PILOT" to "OFF" unless knob is pushed in slightly. Do not force.

3. Wait five (5) minutes to clear out any gas. If you smell gas, **STOP!** Follow "B" in the safety information above on this label. If you do not smell gas, go to the next step.
4. Turn knob on gas control counterclockwise  to "PILOT."
5. Push in control knob all the way and hold in. Immediately light the pilot by pushing in the red lighter button. Continue to push the red lighter button until the pilot is lit. Continue to hold the knob in for about one (1) minute after the pilot is lit. Release the knob and it will pop back up. If the knob does not pop up, turn off the gas shut off valve and call a service technician. Pilot should remain lit. If it goes out, repeat steps 3 through 6.
6. Turn gas control knob counterclockwise  to "ON."

## To Turn Gas Off

1. Push in gas control knob slightly and turn clockwise  to "OFF." Do not force.

# **MAINTENANCE INSTRUCTIONS**

## **GENERAL SAFETY**

1. Always shut off the gas supply and make sure that the heater is cool before starting any servicing operation.
2. Always check for leaks after servicing.
3. Always check for correct combustion and ventilation air flow. The flow of combustion air and ventilation air must not be obstructed.
4. Always check that the appliance area is clear and free from combustible materials, gasoline, and other flammable vapors and liquids.

## **PERIODIC CHECKS**

1. Keep the burner and control compartment clean by brushing and vacuuming at least once a year.
2. The flame pattern should be checked periodically. The flame color should be blue with yellow tips. If needed adjust the air shutter to provide a proper flame. See Figure F.
3. A qualified service person should inspect the appliance vent system prior to use and at least annually, to ensure that the flow of combustion air is not obstructed.
4. If you are unsure how to perform these maintenance procedures have a qualified field service person check the unit at least annually.

**NOTE:** During the first few fires the odor of paint or oils remaining from manufacturing are likely to release an odor. This is normal and will stop as soon as the paint has cured.

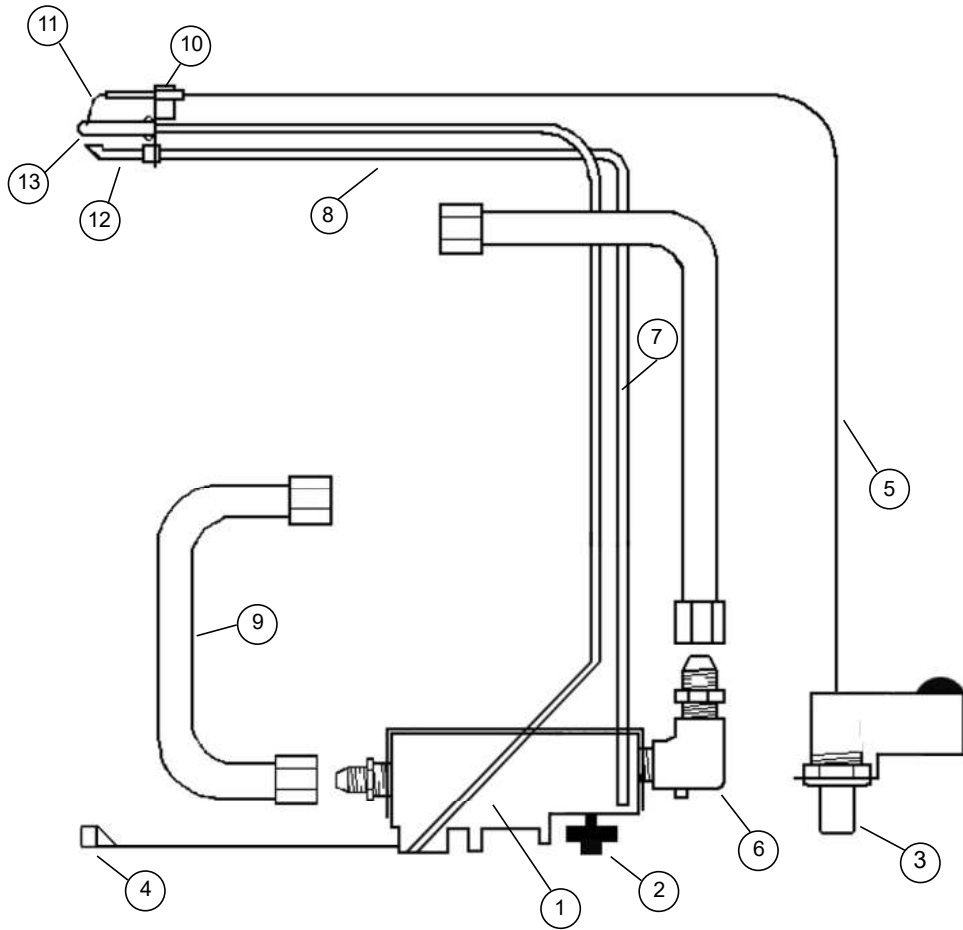
5. If for any reason a log should break it must be replaced with the same log. See the log diagram for the exact replacement log needed. The position of the logs must be as shown in the diagram.

## **CARE OF FINISH**

1. The matte black finish can be wiped clean with a damp cloth. If the finish becomes marred or scratched it may require touch up spraying. Use Stove Bright Flat Black spray. This is available from your dealer or from Malm direct.
2. If your unit is porcelain enamel use any glass cleaner to wipe the unit clean. Minor scratches can be polished with most nonabrasive auto polish. If the porcelain should become chipped or severely damaged an enamel touch up is available from your dealer or Malm direct.



| ITEM | PART NO. | DESCRIPTION  |
|------|----------|--|
| 1    | MV-1     | Dexen VALVE 6003 Natural Gas Conversion Kit L.P. Gas |
| 2    | MV-1A    | Valve Control  |
| 3    | MV-1B    | Piezo Igniter Button                                 |
| 4    | MV-4     | High Limit Switch 350 Degree                         |
| 5    | MV-5     | Piezo Lighter Wire                                   |
| 6    | MV-6     | Gas Line In  |
| 7    | MV-7     | Thermopile Wire                                      |
| 8    | MV-8     | Pilot Supply Tube                                    |
| 9    | MV-9     | Gas Line to Burner                                   |
| 10   | MV-10    | Pilot Assembly Robert Shaw PG9                       |
| 11   | MV-11    | Piezo Lighter Electrode                              |
| 12   | MV-12    | Pilot Hood   |
| 13   | MV-13    | Thermopile Robert Shaw                               |

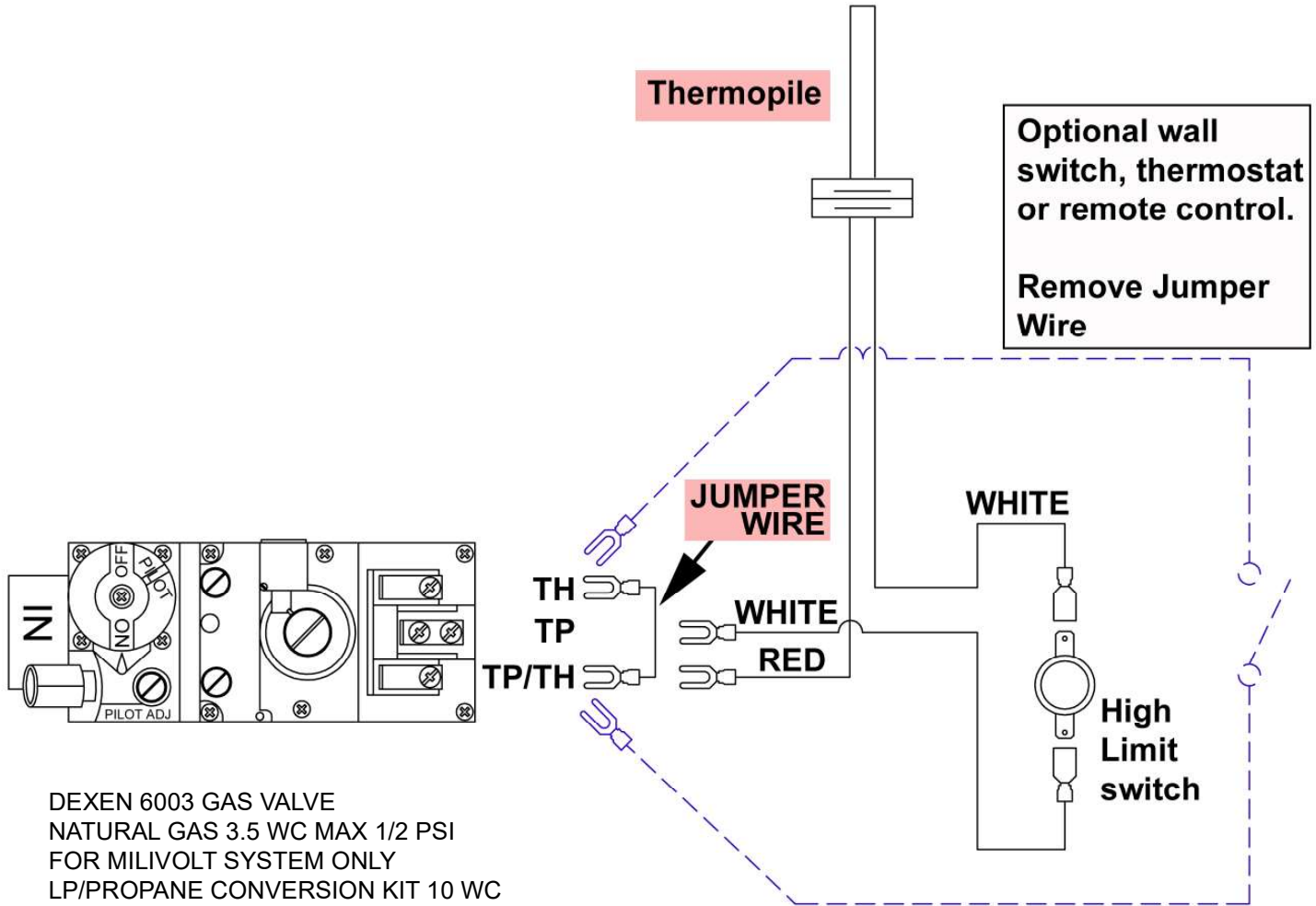


The pilot flame adjustment is labeled on the top of the valve. Locate the pilot adjustment at the upper right hand of the valve near the pilot tube connection.

The pressure regulator adjustment is located on the left of the valve control.

**CAUTION: Only trained and qualified service persons should attempt to adjust the pressure or pilot height.**

# Valve Wiring Schematic

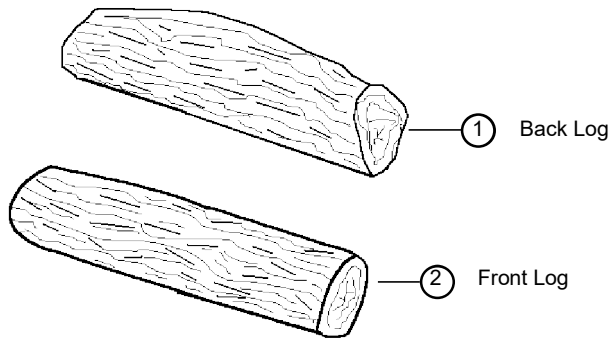


DEXEN 6003 GAS VALVE  
NATURAL GAS 3.5 WC MAX 1/2 PSI  
FOR MILIVOLT SYSTEM ONLY  
LP/PROPANE CONVERSION KIT 10 WC

To add a remote control or wall switch follow the steps below.

1. Remove the Jumper wire from TH and TP/TH
2. Connect a lead from the remote receiver to TP/TH
3. Connect the remaining lead to TH

With the pilot on and the control knob set to on, press the remote power switch or turn the wall switch on if used. If the remote does not work it may need to be paired up to the receiver. Locate the learn button on the receiver. Press the button and then press the on button for the receiver. The unit should have come on at this point. There are further steps that may be necessary. Please feel free to contact us for further information.



Logs have notches for proper placement on grate.

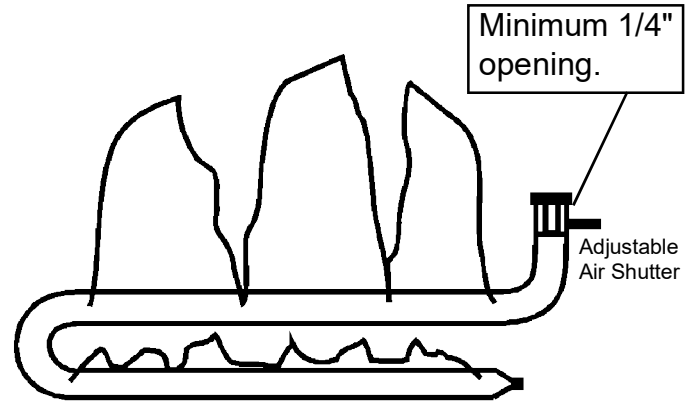
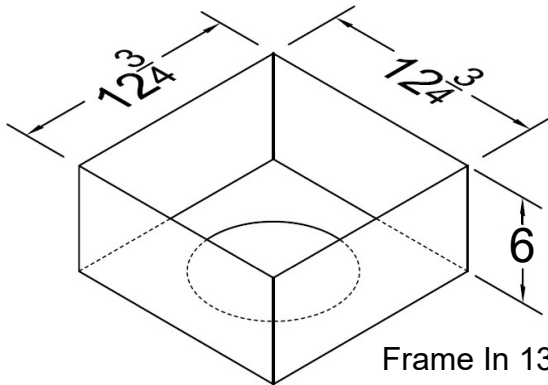
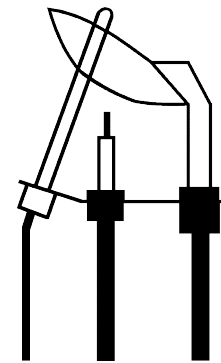


Figure F

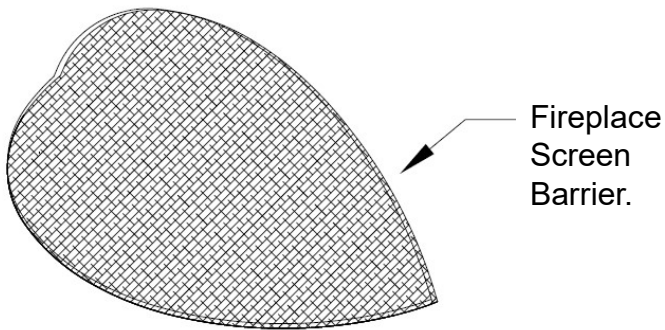


Frame In 13" x 13"

A deeper support box available for pitched or open beam ceilings.



Adjust Pilot Flame so that flame travels across the thermopile. If the pilot will not remain lit the pilot may require adjustment.



Fireplace Screen Barrier.

# Malm Fireplaces, Inc.

368 Yolanda Avenue  
 Santa Rosa, Ca 95404  
 (707) 523-7755 - (800) 535-8955  
 Fax: (707) 571-8036  
 email: info@malmfireplaces.com

# Malm Fireplaces, Inc.

368 Yolanda Avenue  
Santa Rosa, Ca 95404  
(707) 523-7755 - Fax: (707) 571-8036  
info@malmfireplaces.com

## Gas Zircon 34



ANSI Z21.50  
CSA 2.22 -2014

**Assemblage et l'installation Instructions**  
**Laisser ces instructions avec l e pro-**  
**priétaire. Inscrite ventilé appareil au gaz**  
**décoratif**



Montré avec base en porcelaine option.

### POUR VOTRE SÉCURITÉ .

Ne pas stocker ou utiliser  
essence ou autres  
vapeurs inflammables  
et des liquides dans le  
à proximité de cet  
ou de tout autre  
appareil.

### POUR VOTRE SÉCURITÉ QUE FAIRE SI UNE ODEUR DE GAZ

- Ouvrez Windows
- Ne essayez pas d'allumer l'appareil.
- Ne touchez à aucun interrupteur électrique;  
ne pas utiliser ne importe quel téléphone dans  
votre bâtiment.
- Appelez immédiatement votre fournisseur de  
gaz à partir du téléphone d'un voisin. Suivez  
les instructions du fournisseur de gaz.
- Si vous ne pouvez pas joindre votre fournis-  
seur de gaz; appeler le service d'incendie.

**AVERTISSEMENT : Une installation, un réglage, une modification , un service  
ou d'entretien peuvent causer des blessures ou des dommages matériels.  
Reportez-vous à ce manuel. Pour de l'aide ou des renseignements supplé-  
mentaires, consultez un installateur qualifié; agence de service ou le fournis-  
seur de gaz.**

**Ne pas utiliser cet appareil si une partie quelconque a été submergée.  
Appelez immédiatement un technicien de service qualifié pour inspecter  
l'appareil et remplacer toute pièce du système de contrôle et toute com-  
mande de gaz qui a été sous l'eau.**

**Cet appareil ne est pas pour une utilisation avec des portes en verre.**

## **INFORMATIONS GÉNÉRALES**

Cet appareil a été testé conformément aux normes de sécurité nationales et a été certifié par Lab test pour l'installation et le fonctionnement de la manière décrite dans ce manuel.

Se il vous plaît lire toutes les instructions avant de commencer votre installation. Vérifiez auprès de votre agence de code du bâtiment local pour assurer la conformité aux codes locaux. En l'absence de codes locaux, l'installation doit se conformer à code National Fuel Gas ANSI Z22.3.1. Au Canada, / CGA - B149.1 et B149.2 codes d'installation CAN actuelles

**Installation et réparation doivent être effectuées par un technicien qualifié. L'appareil doit être inspecté avant son utilisation et au moins annuellement par une personne qualifiée. Un nettoyage plus fréquent peut être nécessaire en raison des peluches provenant des tapis, literie, etc. Il est impératif que les compartiments de contrôle, les brûleurs et les passages d'air de l'appareil doivent rester propres.**

**Déballer toutes les pièces de cartons inspecter soigneusement tous les éléments. Si des pièces sont endommagées ou manquantes, contactez expéditeur et le marchand immédiatement.**

**Ne pas installer cet appareil en utilisant les pièces endommagées.**

### **ALIMENTATION EN GAZ**

Pour une utilisation avec du gaz naturel ou au gaz propane , selon l'option que vous avez commandé . La pression minimum d'entrée d'alimentation en gaz aux fins de réglage de l'entrée:

Naturel = minimum 5.5 "de colonne d' eau ( 1.4 kPa ) maximum 10.5 " de colonne d'eau ( 2.6 kPa )  
Propane = 11 minimum "de colonne d' eau ( 2.75 kPa ) 13 maximum " de colonne d'eau ( 3.25 kPa )

- a. Le système d'alimentation doit comprendre une vanne d'arrêt manuelle et l'union dans la ligne, de sorte que l'appareil peut être déconnecté pour l'entretien.
- b. L'appareil et son robinet d' arrêt doivent être débranchés du système de tuyauterie d'alimentation en gaz pendant les essais de pression de ce système à des pressions d'essai de plus de 1/2 psig ( 3.5 kPa ).
- c. L'appareil doit être isolé du système de tuyauterie d'alimentation en gaz en fermant son robinet manuel d'arrêt individuel durant tout test de pression du système de tuyauterie d'alimentation en gaz à des pressions de test inférieure à 1/2 lb ( 3.5 kPa ) égales ou.
- d. Un 1/8 de pouce N.P.T. branché taraudage est prévu, pour le raccordement de la jauge de test, sur le coude adjacent à la soupape de commande de gaz.

**En raison des températures élevées, l'appareil devrait être situé hors de la circulation et loin des meubles et des rideaux.**

## **ÉVACUATION**

L'appareil est un appareil ventilé et doit être raccordé à une cheminée / fumées conformément à ce code, en utilisant les instructions du fabricant de la cheminée . Longueur de connecteur minimale est de 4'.

L'évent de sortie ne doit pas être encastré dans un mur ou le revêtement.

**Cet appareil ne doit pas être raccordé à un conduit de cheminée desservant un solide appareil de combustion séparée.**

## **VENT REGISTRE**

Cet appareil peut être installé avec un dispositif évent amortisseur Référence MD8. Suivez les instructions d'installation pour cette partie. Cette partie doit être installé par un technicien qualifié.

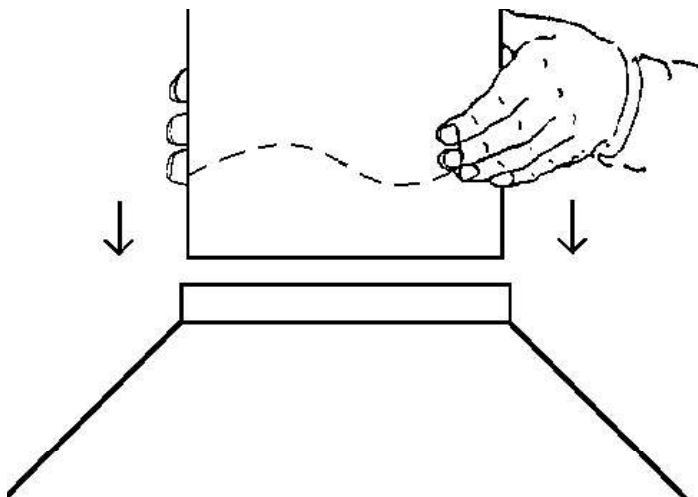
Le volet motorisé est situé dans la section du milieu du tuyau. Seulement cet appareil peut être servi par le dispositif évent d'amortisseur installé sur cet appareil. Le dispositif évent de registre doit être inspecté annuellement par un installateur qualifié.

Le volet motorisé contrôlé thermiquement est un dispositif d'économie d'énergie conçu pour une installation dans les événements d'appareils au gaz énumérés équipés d'un coupe-tirage. Amortisseur économise de l'énergie en empêchant l'échappement de l'air chauffé à travers le système d'évacuation, lorsque l'appareil ne est pas utilisé.

Il a une plaque ronde qui restera fermée lorsque l'appareil ne est pas en fonctionnement. Lors de l'allumage de l'appareil, les fumées chaudes atteignent l'amortisseur, ce qui provoque le voile pour ouvrir ainsi le passage d'évent en une courte période de temps.

L'installation des volets de ventilation peut augmenter le risque de condensation dans les cheminées de maçonnerie surdimensionnés. Cela est dû à une mauvaise isolation thermique de la cheminée et la circulation d'air réduit quand l'amortisseur est fermé. Nous recommandons que les cheminées de maçonnerie être alignés avec des matériaux tels que l'évacuation de gaz de type B, en aluminium ou en acier inoxydable pour réduire le risque de condensation. La plupart des codes du bâtiment, en fait, nécessitent le revêtement de cheminées lorsque les appareils à gaz sont évacués dans des cheminées en maçonnerie.

**Longueur de connecteur minimum est de 48 "**



**DÉGAGEMENTS** Assurez-vous que les dégagements minimum aux matériaux combustibles sont maintenus lors de l'installation, y compris un espace suffisant pour le bon fonctionnement et l'entretien de l'appareil.

Les distances minimales de l'appareil aux matériaux combustibles sont indiqués sur les figures 1 et 2. Placer l'appareil sur une surface plane solide, continu ( c.-à- bois, tuiles , béton, métal ).

L'unité doit être placée sur une surface stable qui ne la fera pas bouger si vous marchiez devant l'unité. Une fois installé sur un tapis, il peut être nécessaire de retirer un rembourrage épais de la zone située directement sous le socle de l'appareil.

REMARQUE: Assurez-vous que l'ouverture de l'air du chauffage à combustion ne est pas obstrué. Il faut prévoir pour la combustion adéquate et l'air de ventilation, avec des dégagements suffisants autour de l'ouverture. Il doit y avoir un accès suffisant pour l'entretien et le bon fonctionnement.

## DÉGAGEMENTS

### PAROI LATÉRALE ET BACKWALL

#### INSTALLATION

Unité de flanc Unité de paroi arrière ----- 76mm  
 Connecteur à la paroi latérale -----406mm  
 Centre de connecteur à la paroi latérale--508mm  
 Retour connecteur pour mur -----127mm  
 Centre de connecteur à l'arrière- mur -----229mm

### INSTALLATION EN COIN

Unité au mur adjacent ----- 76mm  
 Connecteur à Wall Adjacent-----203mm  
 Centre de connecteur à mur adjacent ---305mm

Toutes les dimensions en millimètres - All Dimensions in millimeters

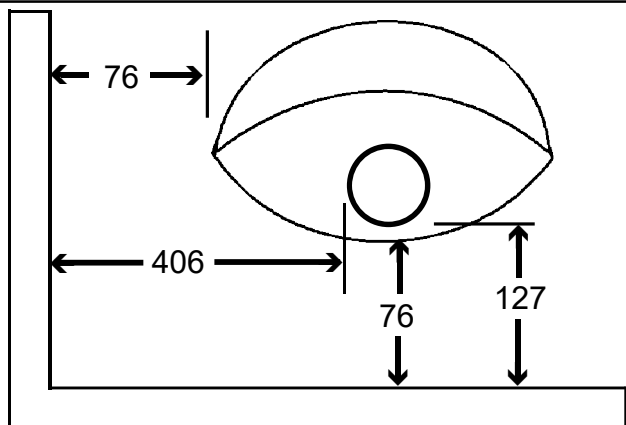


Figure 1

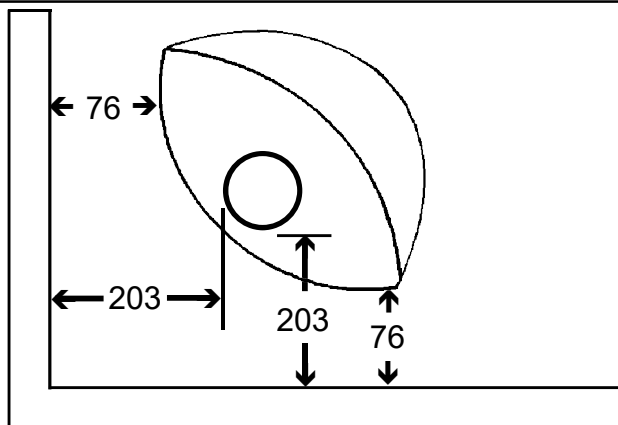


Figure 2

### **AVERTISSEMENT**

**Les enfants et les adultes doivent être sensibilisés aux dangers de la température de surface et devraient rester à l'écart pour éviter les brûlures ou l'inflammation des vêtements. Les jeunes enfants doivent être surveillés attentivement lorsqu'ils sont dans la même pièce que l'appareil. Les tout-petits, les jeunes enfants, et d'autres peuvent être sujets aux brûlures accidentelles. Une barrière physique est recommandée se il ya des personnes à risque dans la maison. Pour restreindre l'accès à un foyer ou poêle, installez une barrière de sécurité ajustable pour éloigner les bambins, les jeunes enfants et autres personnes à risque hors de la pièce et loin des surfaces chaudes.**

### **ATTENTION**

**Tout écran ou protecteur retiré pour l'entretien d'un appareil doivent être remplacés avant d'utiliser l'appareil. Si la barrière est endommagée, la barrière doit être remplacé par la barrière du fabricant pour cet appareil.**

**Vêtements ou autres matériaux inflammables ne doivent pas être placés sur ou près de l'appareil.**

# Instructions d'installation

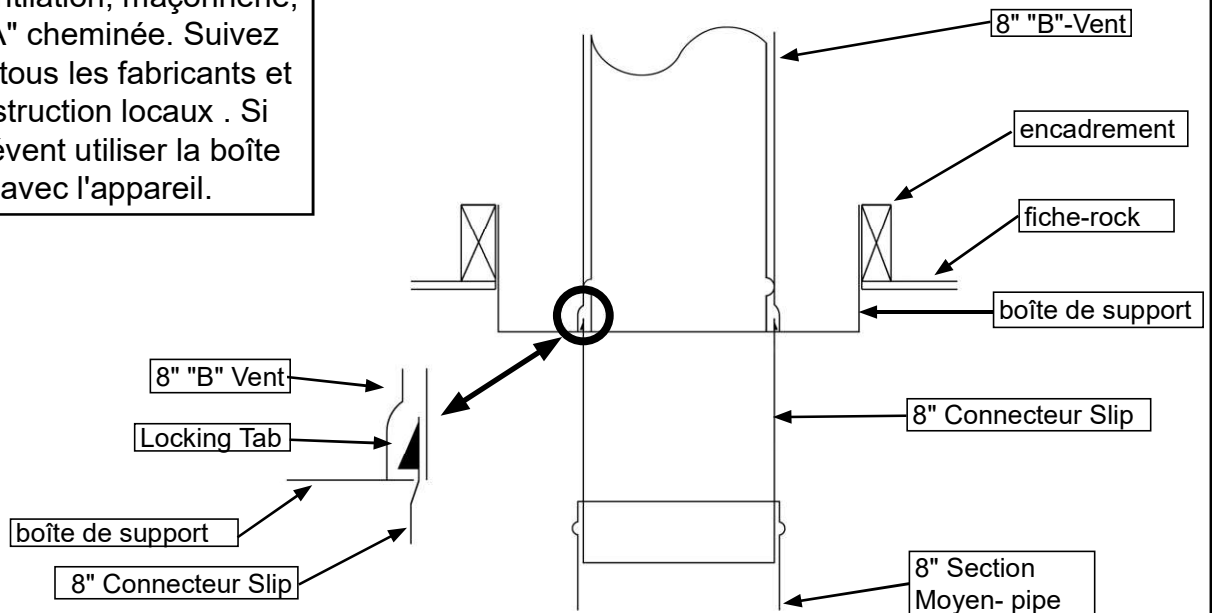
## Ne pas installer dans une maison mobile

LIRE ATTENTIVEMENT TOUTES LES INSTRUCTIONS  
AVANT DE COMMENCER L'INSTALLATION.

Unité de mesure de respecter les distances minimales aux matériaux combustibles. Les dégagements minimaux sont indiqués dans les figures 1 et 2. Il est recommandé de ne pas les traverses généraux dans le plafond ou un toit être coupés. Repositionner l'unité si nécessaire, en faisant attention de ne pas se rapprocher que les distances minimales.

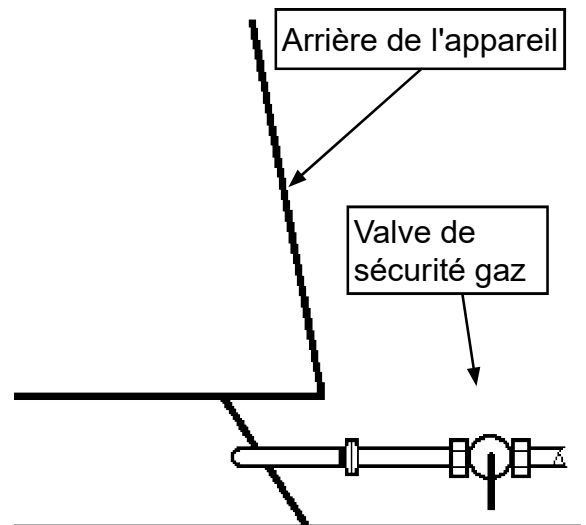
### Exigences de Ventilation

Utilisez un "B" ventilation, maçonnerie, ou de la classe "A" cheminée. Suivez les exigences de tous les fabricants et les codes de construction locaux . Si vous utilisez "B" évent utiliser la boîte de support fourni avec l'appareil.



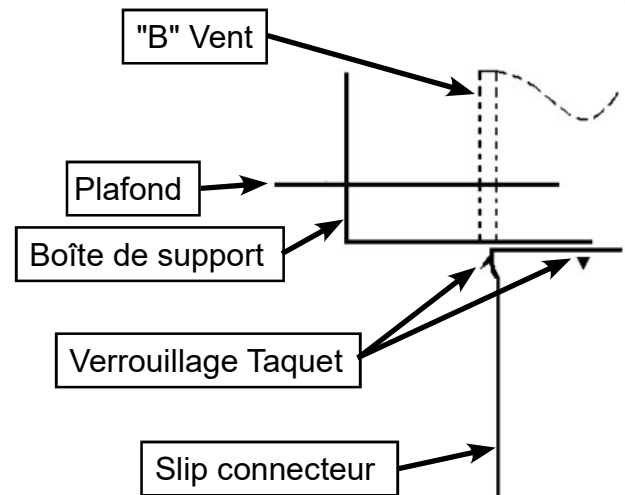
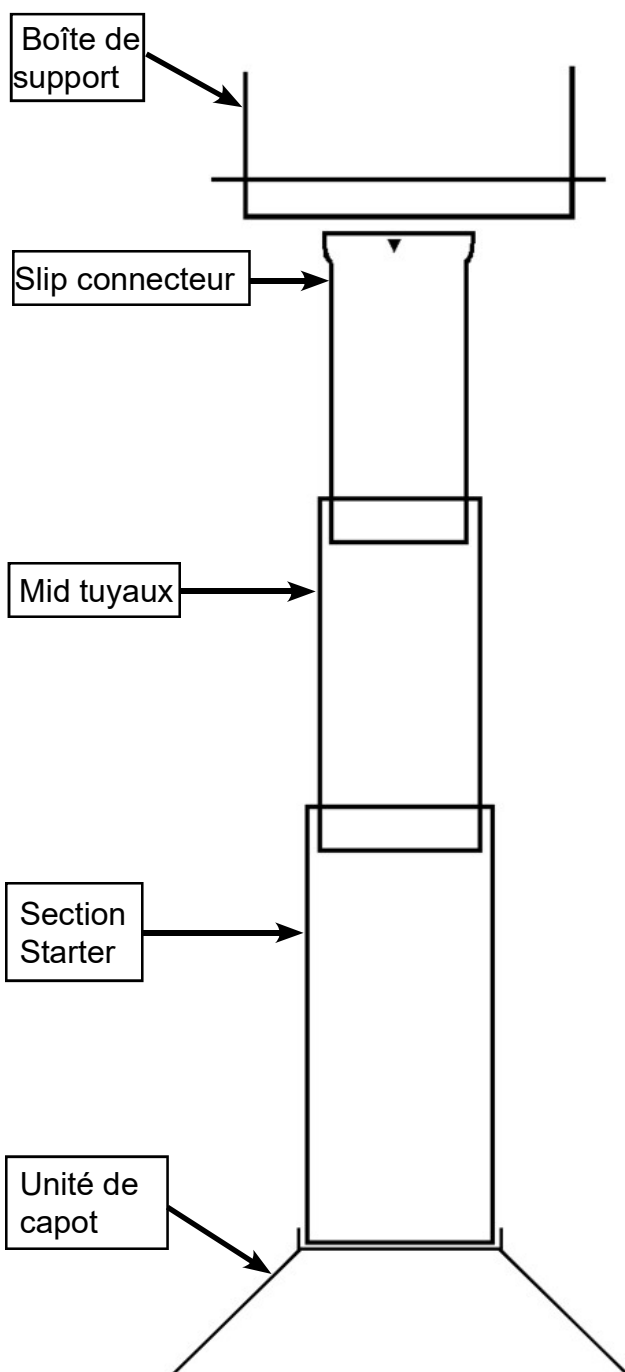
### CONDUITE DE GAZ ATTACHEMENT

La ligne d'alimentation en gaz doit être installée sur le côté arrière droit de l'unité de gaz. Cette ligne d'alimentation doit être d'un minimum de 1/2 " , tube de type fer noir . Un manuel distinct robinet d'arrêt doit toujours être utilisé . Vérifiez les codes locaux pour son placement nécessaire et le type de vanne. En général, il doit être placé à 6 ' de l'appareil. Cette vanne ne est pas prévue.





# INSTRUCTIONS RACCORDEMENT



Tuyau de raccordement doit être un minimum de 1219mm

1. La section de connecteur de glissement possède trois taquets de verrouillage situés au sommet du tuyau. Après la zone d'appui a été installé le connecteur de glissement est inséré dans le fond de la boîte de support. La cale se enclenche que le tuyau est poussé vers le haut dans la zone de soutien.
2. Slip une des sections milieu sur le connecteur de glissement. Faites glisser la section du milieu assez seulement pour permettre le placement de la prochaine section de tuyau entre l'appareil et le fond de la pipe mi qui a été placé sur le connecteur de glissement.
3. Placez la section du milieu restant dans le collier sur le dessus de l'appareil.
4. Tirez la section du milieu qui est sur le connecteur de glissement vers le bas dans la section du milieu qui est installé dans l'unité.

# MODE D'EMPLOI

## POUR VOTRE SECURITE LIRE AVANT ECLAIRAGE

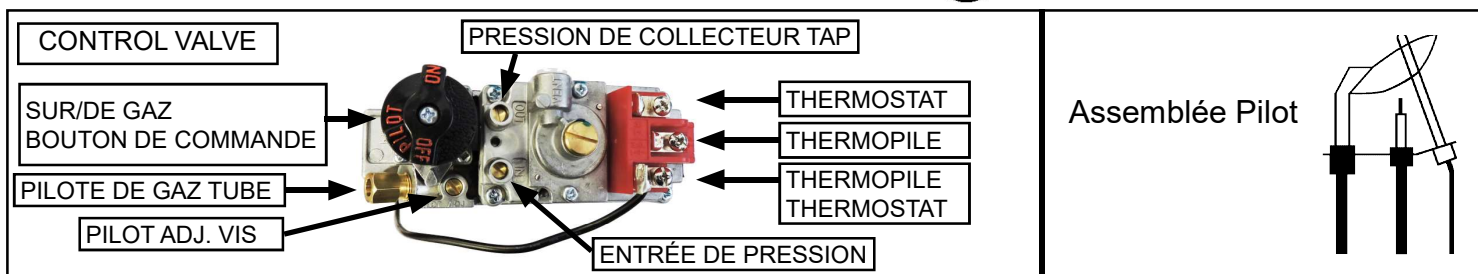
**AVERTISSEMENT** : Si vous ne suivez pas ces instructions à la lettre, un incendie ou une explosion entraînant des dommages matériels, des blessures ou des pertes de vie.

- A. Suivez ces instructions à la lettre. Cet appareil possède une veilleuse qui doit être allumée à la main.
- B. **AVANT L'ALLUMAGE**, sentez autour de l'appareil pour le gaz. Assurez-vous de sentir près du plancher, car certains gaz sont plus lourds que l'air et se déposent sur le sol. **QUE FAIRE SI UNE ODEUR DE GAZ** Ne essayez pas d'allumer l'appareil. Ne touchez à aucun interrupteur électrique; ne pas utiliser ne importe quel téléphone dans votre bâtiment. Appelez immédiatement votre fournisseur de gaz à partir du téléphone d'un voisin. Suivez les instructions du fournisseur de gaz. Si vous ne pouvez pas joindre votre fournisseur de gaz, appelez le service d'incendie.
- C. Ne utilisez que votre main pour enfoncer ou tourner le bouton de contrôle du gaz. Ne jamais utiliser des outils. Si le bouton ne sera pas enfoncer ou à tourner à la main, ne essayez pas de le réparer, appelez un technicien de service qualifié. Une tentative de réparation peuvent provoquer un incendie ou une explosion.
- D. Ne utilisez pas cet appareil si une partie quelconque a été submergée. Appelez immédiatement un technicien de service qualifié pour inspecter l'appareil et pour remplacer toute pièce du système de contrôle et toute commande de gaz qui a été sous l'eau.

## INSTRUCTIONS D'ALLUMAGE

1. **ARRÊTEZ !** Lire les consignes de sécurité ci-dessus sur cette étiquette.

2. Poussez le bouton de commande légèrement et tournez  à "OFF".



**REMARQUE** : Bouton ne peut être tourné de "PILOT" à "OFF" l'enfoncer légèrement. Ne forcez pas.

3. Attendez cinq ( 5 ) minutes pour laisser échapper tout le gaz. Si vous sentez une odeur de gaz, **ARRÊTEZ !** Suivez «B » dans les consignes de sécurité ci-dessus sur cette étiquette . Si vous ne sentez pas de gaz, passez à l'étape suivante.

4. Tourner le bouton sur le contrôle du gaz vers la gauche pour  à "PILOT".

5. Poussez sur le bouton de commande tout le chemin et maintenir . Immédiatement allumez la veilleuse en appuyant sur le bouton rouge léger . Continuer de pousser le bouton rouge plus clair jusqu'à ce que le pilote est allumé Maintenez le bouton pendant environ une ( 1 ) minute après que le pilote est allumé Relâchez le bouton et il apparaîtra remonter . Si le bouton ne revient pas , éteignez le gaz de vanne d'arrêt et appeler un technicien de service . Veilleuse devrait rester allumée Si elle se éteint , répétez les étapes 3 à 6 .

6. Tourner le bouton de contrôle du gaz dans le sens antihoraire  à "ON."

## Pour Couper le gaz

1. Poussez sur le bouton de contrôle du gaz et tournez  à "OFF." Ne forcez pas.

# **INSTRUCTIONS DE MAINTENANCE**

## **SÉCURITÉ GÉNÉRALE**

1. Toujours fermer l'alimentation de gaz et assurez-vous que le chauffe-eau est froide avant de commencer toute opération de maintenance.
2. Toujours vérifier les fuites après l'entretien.
3. Toujours vérifier pour la combustion et le débit d'air de ventilation. Le débit de combustion air et air de ventilation ne doivent pas être obstrués.
4. Toujours vérifier que la zone de l'appareil est claire et libre de matériaux combustibles, d'essence et autres vapeurs et liquides inflammables.

## **CONTROLES PERIODIQUES**

1. Gardez le compartiment du brûleur et le contrôle propres en les nettoyant et passer l'aspirateur au moins une fois par an.
2. Le patron de la flamme doit être vérifiée périodiquement. La couleur de la flamme doit être bleue avec des pointes jaunes. Si nécessaire régler l'obturateur d'air pour fournir une flamme correcte. Voir Figure F.
3. Une personne qualifiée doit inspecter le système de ventilation de l'appareil avant de l'utiliser et au moins annuellement, pour se assurer que le flux d'air de combustion ne est pas obstrué.
4. Si vous ne savez pas comment effectuer ces procédures d'entretien ont une personne de service sur le terrain qualifié de vérifier l'appareil au moins annuellement.

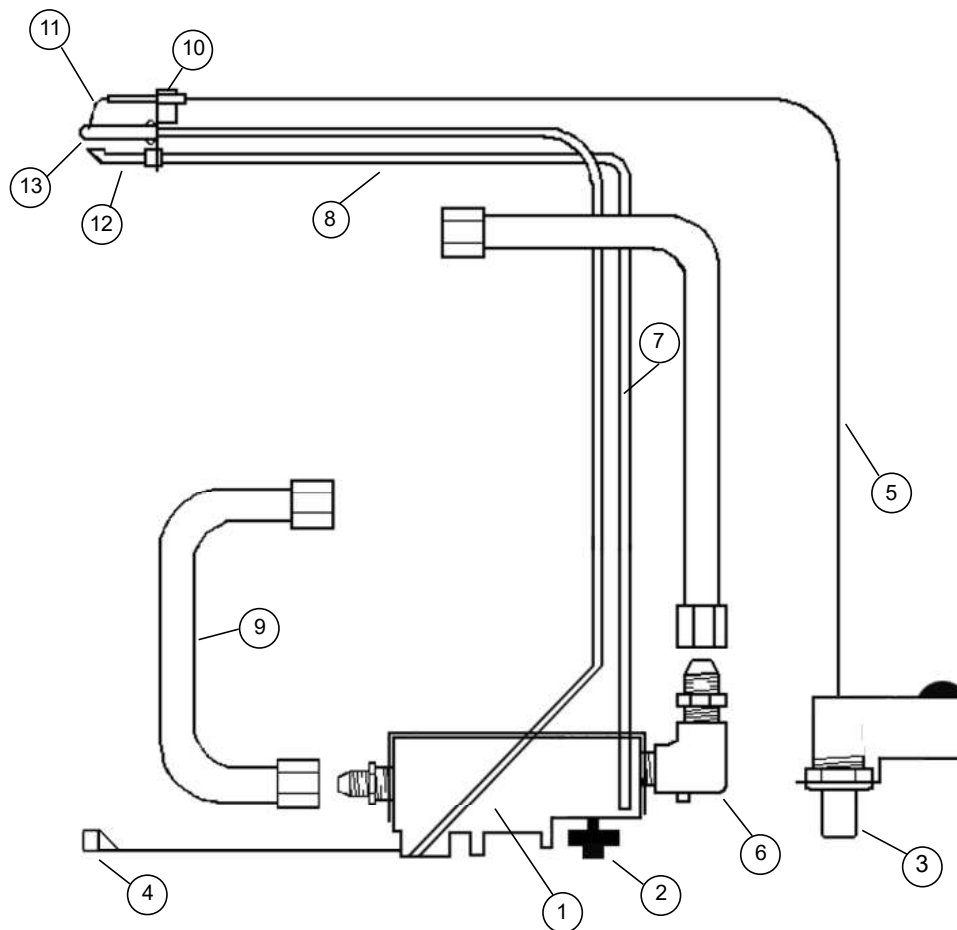
NOTE: Pendant les premiers feux de l'odeur de la peinture ou des huiles restantes de la fabrication sont susceptibles de dégager une odeur. Ceci est normal et se arrête dès que la peinture a durci.

5. Si, pour une raison quelconque un journal devrait briser il doit être remplacé par le même journal. Voir le schéma de journal pour le journal de remplacement exacte nécessaire. La position des journaux doit être comme indiqué sur le schéma.

## **SOINS DE FINITION**

1. La finition noir mat peut être nettoyé avec un chiffon humide. Si la finition devient entaché ou rayé il peut exiger retouche pulvérisation. Utilisez Stove Bright Flat Black pulvérisation. Il est disponible auprès de votre revendeur ou d' Malm directe.
2. Si votre appareil est en émail de porcelaine utilisez pas de nettoyant à vitre pour essuyer l'unité propre. Éraflures mineures peuvent être polis avec la plupart polonais auto non abrasif. Si la porcelaine devrait devenir ébréchée ou gravement endommagé un émail retouche est disponible auprès de votre revendeur ou Malm directe.

| ARTICLE | Numéro de pièce | DESCRIPTION   |
|---------|-----------------|---|
| 1       | MV-1            | Dexen VALVE 6003 Natural Gas<br>Conversion Kit L.P. Gas |
| 2       | MV-1A           | Valve Control   |
| 3       | MV-1B           | Piezo Igniter Button                                    |
| 4       | MV-4            | High Limit Switch 350 Degree                            |
| 5       | MV-5            | Piezo Lighter Wire                                      |
| 6       | MV-6            | Gas Line In   |
| 7       | MV-7            | Thermocouple Wire                                       |
| 8       | MV-8            | Pilot Supply Tube                                       |
| 9       | MV-9            | Gas Line to Burner                                      |
| 10      | MV-10           | Pilot Assembly Robert Shaw PG9                          |
| 11      | MV-11           | Piezo Lighter Electrode                                 |
| 12      | MV-12           | Pilot Hood  |
| 13      | MV-13           | Thermopile Robert Shaw                                  |

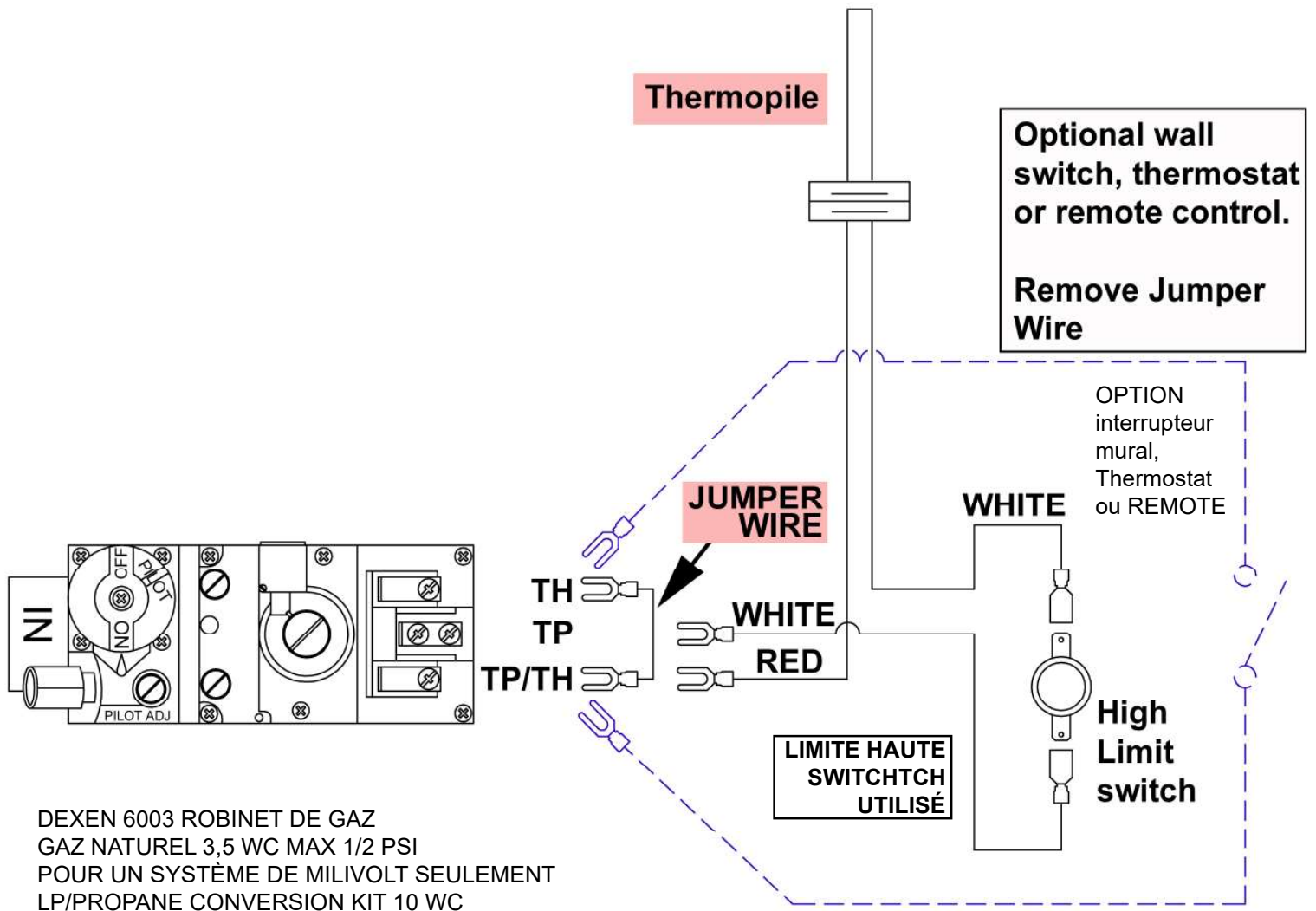


Le réglage de la flamme pilote se trouve sur le dessus de la vanne. Localisez le réglage de la veilleuse à la main droite supérieure de la vanne près de la connexion du tube pilote.

Le réglage du régulateur de pression est situé sur la gauche de la commande de soupape.

**ATTENTION : Seul un personnel formé et de services des personnes qualifiées doivent tenter de régler la hauteur de pression ou pilote.**

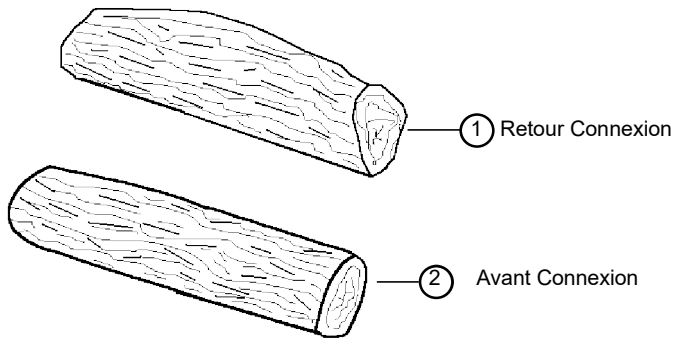
# Câblage Valve schématique



Pour ajouter une télécommande ou un interrupteur mural, suivez les étapes ci-dessous.

1. Retirez le fil de cavalier de TH et TP / TH
2. Connectez un fil du récepteur distant à TP / TH
3. Connectez le fil restant à TH

Lorsque le pilote est en marche et que le bouton de commande est activé, appuyez sur l'interrupteur d'alimentation à distance ou activez l'interrupteur mural s'il est utilisé. Si la télécommande ne fonctionne pas, vous devrez peut-être l'associer au récepteur. Localisez le bouton d'apprentissage sur le récepteur. Appuyez sur le bouton, puis sur le bouton de mise en marche du récepteur. L'unité devrait être allumée à ce stade. D'autres étapes peuvent s'avérer nécessaires. N'hésitez pas à nous contacter pour plus d'informations.



Journaux comportent des encoches pour les positionner correctement sur la grille.

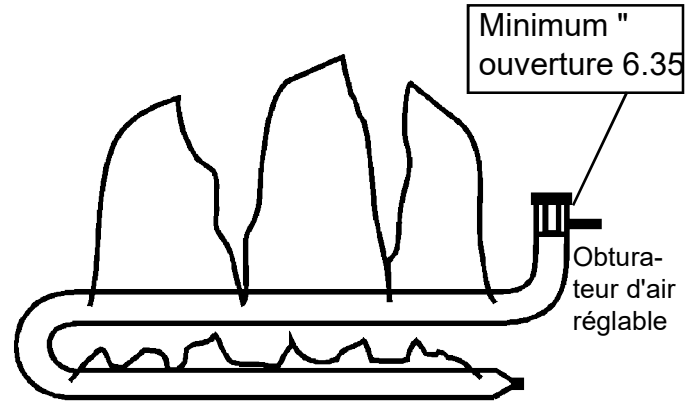
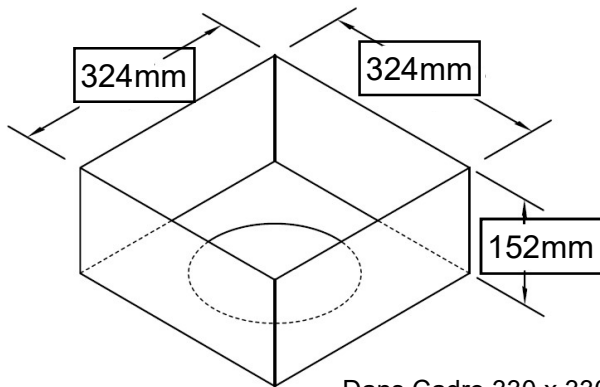
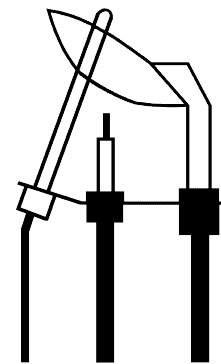


Figure F

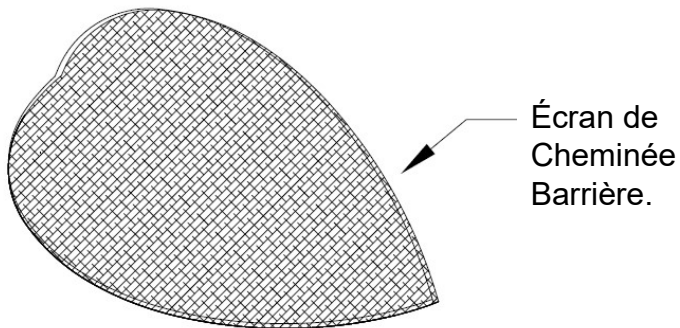


Dans Cadre 330 x 330mm

Une boîte plus profond de soutien disponibles pour aigus ou ouverts poutres.



Régalez flamme de la veilleuse afin que la flamme voyage à travers la thermopile . Si le pilote ne reste pas allumé le pilote peut nécessiter un ajustement



# Malm Fireplaces, Inc.

368 Yolanda Avenue  
 Santa Rosa, Ca 95404  
 (707) 523-7755 - (800) 535-8955  
 Fax: (707) 571-8036  
 email: info@malmfireplaces.com