

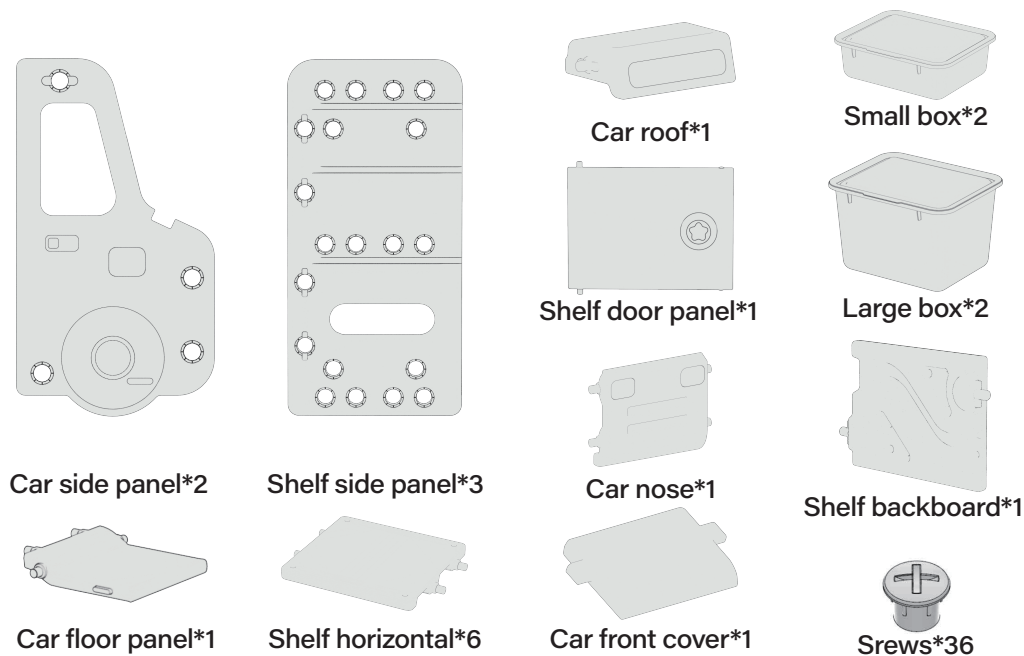


# CAR STORAGE SHELF SET 1 MANUAL

## Product Information

**Product Name:** Car storage shelf  
**Main materials:** HDPE, PP  
**Applicable age:** over 3 years old  
**Maximum load:** 30 kg

## Package List



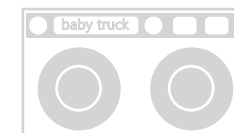
wrench\*1



handle of door\*1



4\*30 screw\*1



sticker\*1

## Instructions

Please use it on flat and spacious ground. Do not put it in water or water seepage ground, uneven or rough ground, slope and other places.

Before use, please check and adjust if there are spare parts not firm or shaking.

During use, please check whether all parts are loose or not regularly. If it is loose, please tighten them in time

## Car Front Body Installation

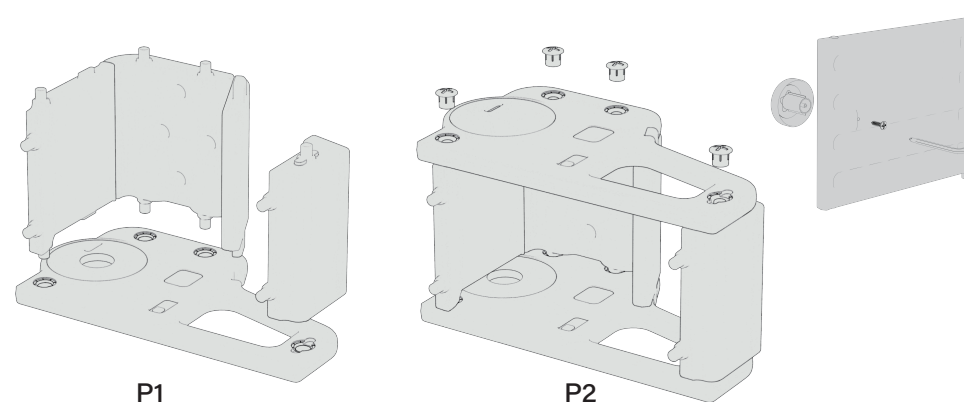
1.As shown in P1, lay the car side panel on the ground with the inner side facing upwards, and insert the car roof, front cover, front and bottom panel one by one into the corresponding holes of the car side panel.

(Tips: Do not mix the left and right side panels, and the step holes face outwards.)

2.As shown in P2, align the bulges of the car roof, front cover, front and bottom panel into the holes of the car side panel, and tighten the screws after connecting.

3.Turn the whole assembly over, repeat the previous step and tighten the screws.

4.Tighten the handle of the storage door panel with a wrench and 4\*30 screw.



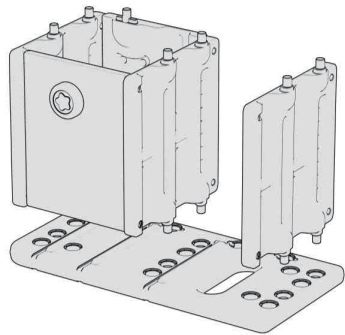
# Storage Shelf Installation

1.As shown in P3, lay the storage side panel flat, assemble the storage cabinet module, and then put the entire storage cabinet module into the corresponding hole of the storage side panel.

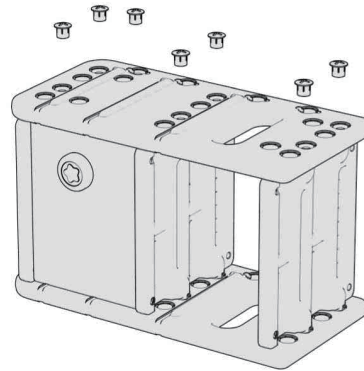
2.As shown in P4, align the storage side panel on the other side, and tighten the screws and the screws on the back.

3.As shown in P5, insert the storage horizontal panel into the hole of the module assembled in the previous step, open the cabinet door, and tighten the screws at the bottom to fix it.

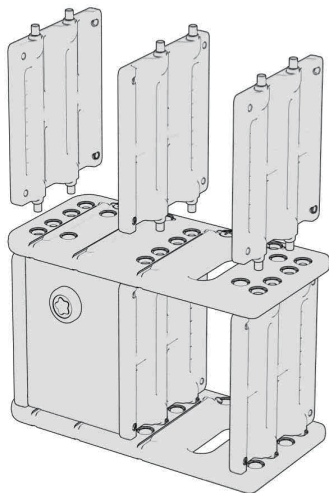
4.As shown in P6, align the third storage side panel to the protruding position of the horizontal panel and tighten the screws.



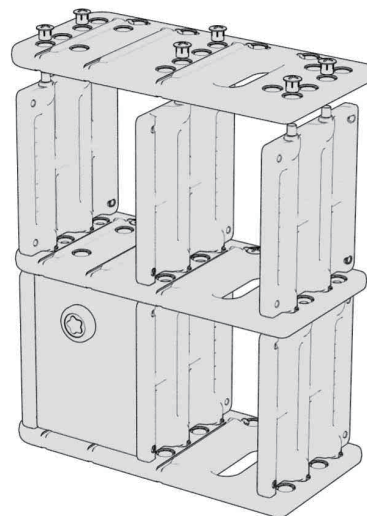
P3



P4



P5



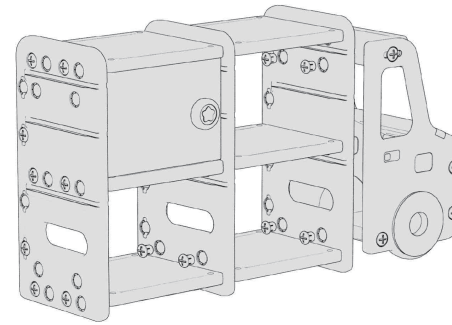
P6

# Combination Assembly

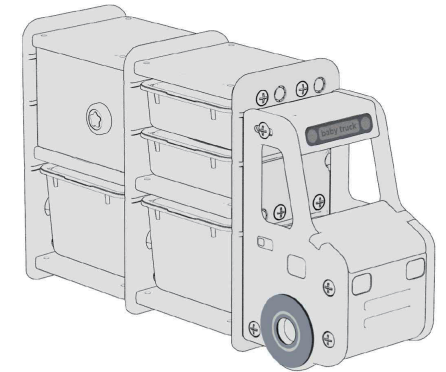
5.As shown in P7, align the assembled car front body with the storage cabinet, and tighten the screws to fix it.

6. Finally, push the storage drawer and storage box into the storage cabinet along the slide. Attach the sticker to the corresponding position on the front of the car.

7. Please check before use to ensure that all parts are installed in place, and fully tighten screws and nuts.



P7



P8

# Product failure analysis and treatment

**Phenomenom:** the shelf shake unsteadily.

**Analysis:** the nut was not tightened during the installation, and the spare part failed to fit.

**Treatment:** tighten the nuts and adjust the position of the spare parts to ensure that the components are installed firmly.

**WEDANTA**

WEDANTA LLC

2380 DREW ST STE 1 CLEARWATER, FL. 33765

info@wedantakids.com