

# UZ29 Speeder



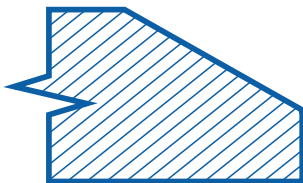
Incredibly quiet operation



3D adaptive system



**3** BEVELERS  
IN ONE



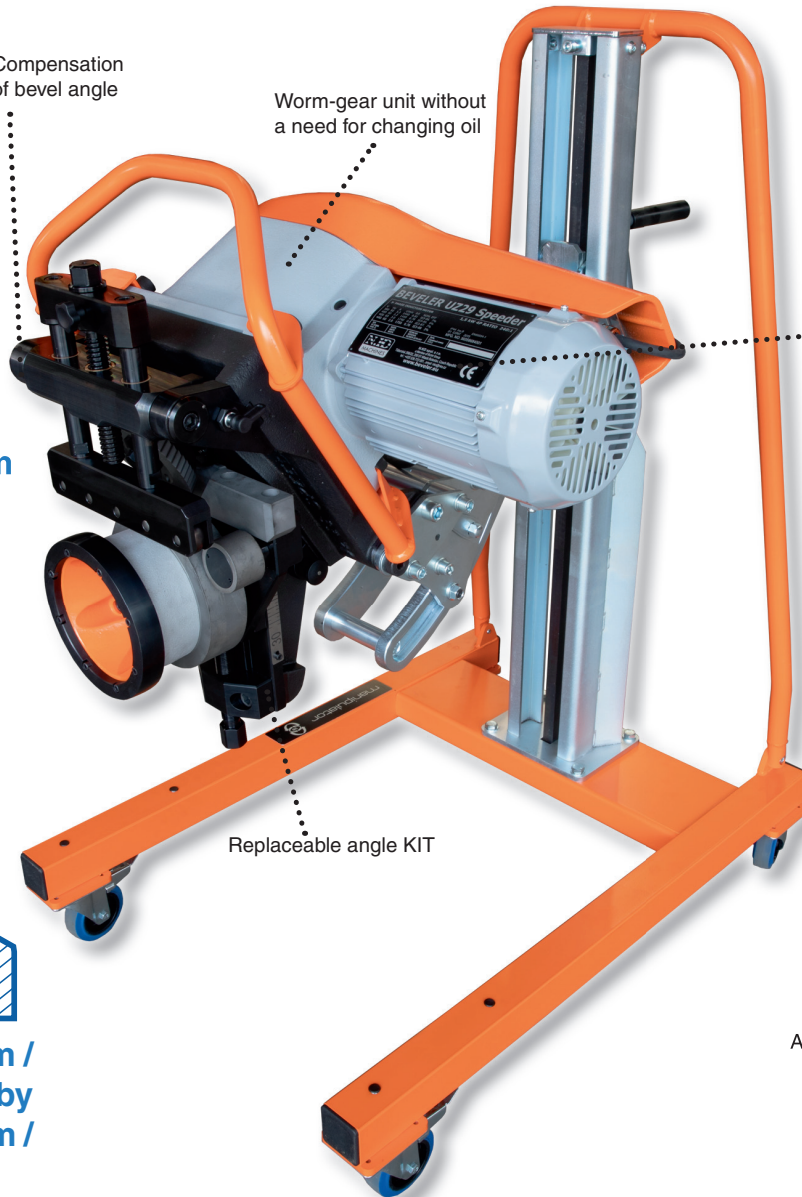
Bevel width 18 mm / 0.7 in - in first cut by feeding speed 1.8 m / min. / 5.9 ft/min.

Compensation of bevel angle

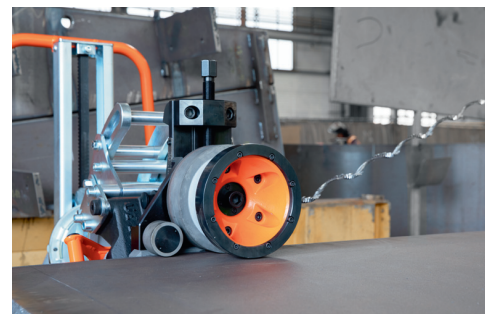
Worm-gear unit without a need for changing oil

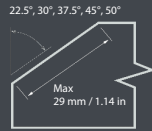
Powerful 3-phase 1500 W motor

Replaceable angle KIT



Art. Nr. - following page





**UZ29 SPEEDER machine is one of the largest and most powerful machines in the field of rotary cutting bevelling machines. The machine is equipped with an automatic feed and can be used as a stationary machine designed for large and small volumes of smaller workpieces. At the same time it can be used as a mobile bevelling system when the machine moves along the machined steel sheet at a rate of almost two meters per minute. The UZ29 SPEEDER machine is capable of machining both, standard and stainless steel. The machine has a supersilent drive not increasing the noise at the workplace.**

**In addition it is possible to flip the entire machining unit upside down and create bevels for X and K form of the welds without handling machined material. This application is made possible by the rotary mechanism of the 3D manipulator, which is a standard machine equipment.**

- For conventional steel (up to strength 700 MPa / 101 526 PSI), stainless steel, brass, copper and aluminum materials
- The bevelled material thickness 6 to 60 mm / 0.23 to 2.36 in
- Variable bevel angle with replaceable arms/kits for each given angle
- Double-sided bevel (X, K), without any need for material handling
- Surprisingly silent drive
- Equipped with an automatic feed
- Stationary or mobile use
- 3D manipulator for any unevenness or deformations in the length of machined material. It also allows to work on uneven floor
- Smaller parts of the material are inserted directly into the machine
- Single operator machine

**Technical data:**

Max. bevel width: 29 mm / 0 to 1.14 in < 400 MPa / 58 015 PSI  
 25 mm / 0 to 0.1 in > 400 MPa / 58 015 PSI

Bevel angle: 30°, 45°, 22.5°, 37.5°, 50° (replaceable KIT)

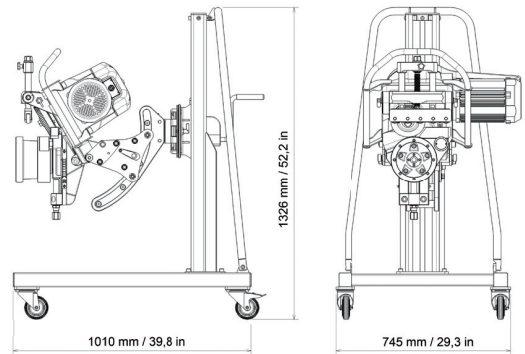
The thickness of the bevel. material: 6 - 60 mm / 0.23 to 2.36 in

Engine: 1500 W

Feed: 1.8 m/min. / 5.9 ft/min.

Weight: 205 kg / 452 lb

Dimensions: 1010 x 745 x 1326 mm  
 39.76 x 29.33 x 52.2 in



**Included in the price:**

Bevelling system UZ29 SPEEDER  
 Tools for an operator.  
 Packed in a wooden crate.  
 User manual.

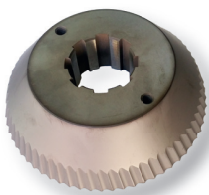
**Machine name:**

**Art. Nr. - 400V 3 phase      Art. Nr. - 480V 3 phase      Art. Nr. - 220V 3 phase**

Bevelling system UZ29 SPEEDER - set (KIT 30° + 45°)	1962	1903	1907
---	------	------	------

**Accessories:**

	<b>Art. Nr.</b>
ECO cutting tool - suitable for conventional steel	1970
ECO cutting tool - suitable for conventional steel - 2 + 1 free set	1972
PVD cutting tool - suitable for tougher materials	1971
PVD cutting tool - suitable for tougher materials - 2 + 1 free set	1973
Separate KIT 22,5° (on demand)	1966
Separate KIT 30°	1964
Separate KIT 37,5° (on demand)	1967
Separate KIT 45°	1965
Separate KIT 50° (on demand)	1968



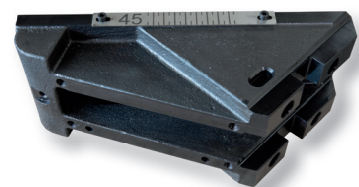
Art. Nr. 1970



Art. Nr. 1971



Art. Nr. 1972



Art. Nr. 1965