



Bevelling system UZ15 RAPID

Maximum bevel width of 15 mm / 0.6 in. Automatic feed.

UZ15 Rapid



Incredibly quiet operation

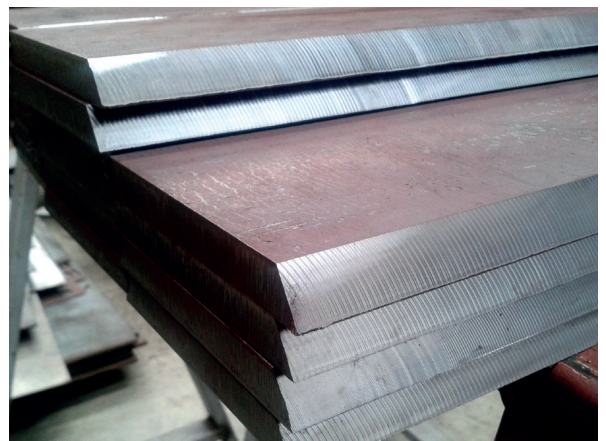
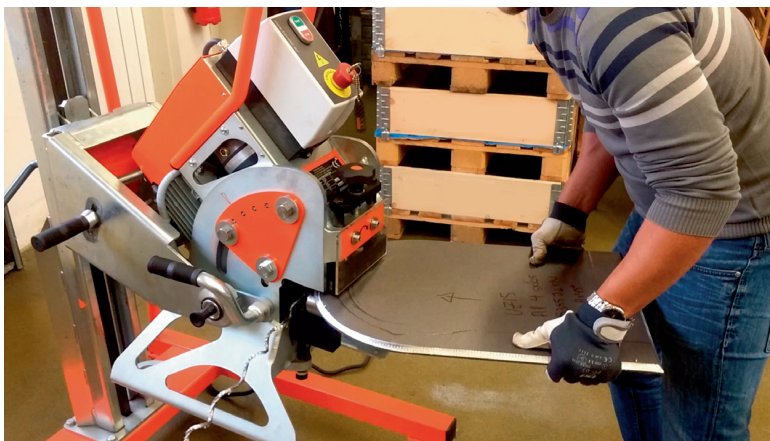
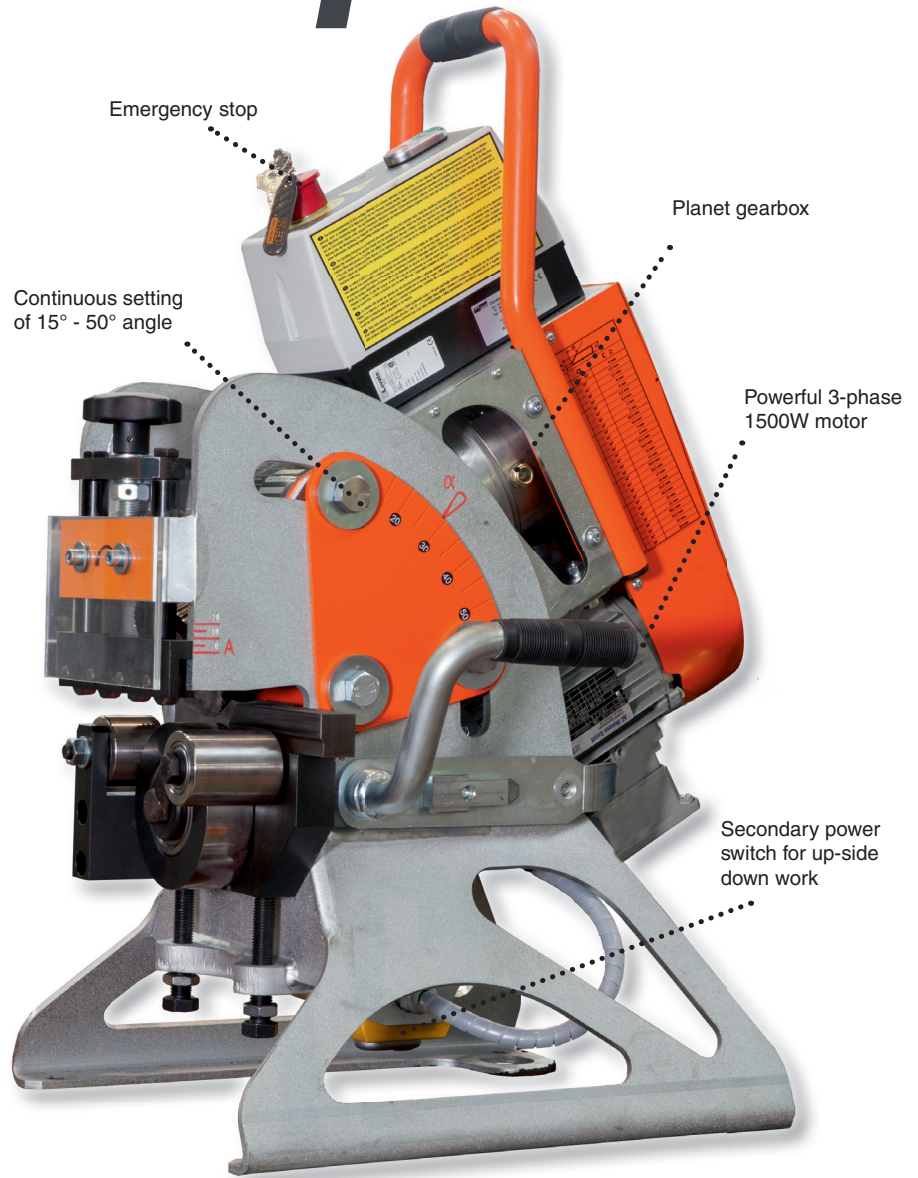


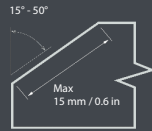
3D adaptive system



3 BEVELERS
IN ONE

Art. Nr. 1931 (3 Phase - 400 V)
Art. Nr. 1934 (3 Phase - 480 V)
Art. Nr. 1933 (3 Phase - 220 V)



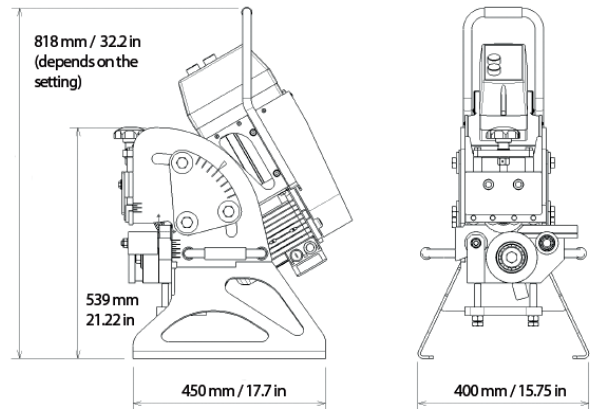


The UZ15 RAPID machine is one of the fastest automatic bevelling machines with the automatic feed on the market. It is suitable not only for workshops, but also for assembly operations. It has a continuous working angle adjustment system. In addition, the machine is equipped with an automatic feed. Working with UZ15 Rapid is therefore very comfortable.

- For conventional steel (up to 600 MPa / 87 022 PSI), brass, copper and aluminum
- For bevelling material with minimum dimensions - width 70 mm / 2.75 in, length 150 mm / 5.9 in, thickness 6 mm / 0.23 in
- Thickness of bevelled material 6 to 40 mm / 0.23 to 1.57 in
- The bevel angle easily adjustable from 15° to 50° smoothly, without the need to replace any part
- Capable of performing double-sided bevel (X, K) without the need for material handling
- Easy connection to the 3D Manipulator for easier operation and handling
- Equipped with an automatic feed
- Stationary or mobile use
- The machine works with large workpieces without any support. Speed of 3.5 m/min / 11.48 ft/ min
- Smaller parts of the material are inserted directly into the machine
- Discounted price when purchasing UZ15 RAPID together with the 3D Manipulator

Technical data:

Max. bevel width:	15 mm / 0.6 in
Continuously adjustable angle:	15° - 50°
Thickness of bevelled material:	6 to 40 mm / 0.23 to 1.57 in
Engine:	1500 W
Feed:	3,5 m/min. / 11.48 ft/min.
Weight:	94 kg / 207 lb
Dimensions:	530 x 395 x 860 mm 20.9 x 15.5 x 33.9 in



Included in price:

UZ15 RAPID bevelling system.
Tools for an operator.
Packed in a wooden crate.
User manual.

Machine name:

Art. Nr.

Bevelling system UZ15 RAPID (3 Phase - 400 V)	1931
Bevelling system UZ15 RAPID (3 Phase - 480 V)	1934
Bevelling system UZ15 RAPID (3 Phase - 220 V)	1933

Accessories:

Art. Nr.

ECO cutting tool - suitable for conventional steel	2137
ECO cutting tool - suitable for conventional steel - 2 + 1 free set	2134
PVD cutting tool - suitable for tougher materials	2142
PVD cutting tool - suitable for tougher materials - 2 + 1 free set	1936
PREMIUM Cutting Tool - coated TiN, suitable for conventional steel	2136
PREMIUM Cutting Tool - coated TiN, suitable for conventional steel - 2 + 1 free set	2132
3D Manipulator - allows to rotate the machine by 180° to create a two-sided bevel and facilitates the machine transport across the workplace.	1930



Art. Nr. 2136



Art. Nr. 2134



Art. Nr. 2137



Art. Nr. 1936



Art. Nr. 1930





Bevelling system UZ15 RAPID + 3D MANIPULATOR set
 Maximum bevel width of 15 mm / 0.6 in. Automatic feed.

UZ15 Rapid + 3D manipulator set



Silent operation



3D adaptive system



**3 BEVELERS
 IN ONE**

Art. Nr. 1932 (3 Phase - 400 V)
 Art. Nr. 1937 (3 Phase - 480 V)
 Art. Nr. 1938 (3 Phase - 220 V)

Rotary mechanism allows to perform double-sided bevelling without the need for material handling.

Machine position height adjustment.

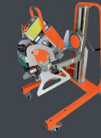
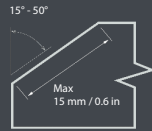
3D adaptive system compensates for inequalities of floor and allows for machine positioning according to the situation at a workplace

Quick connect machine system



set UZ 15 RAPID + Manipulator 3D





The UZ15 RAPID machine is one of the fastest bevelling machines with an automatic feed on the market. It is not only suitable for workshops, but also for assembly operations. It has a continuous working angle adjustment system. In addition, the machine is equipped with an automatic feed. Working with UZ15 Rapid is therefore very comfortable.

The unique 3D MANIPULATOR - unique design of the manipulator offers the possibility of a simple turning of the bevelling machine by 180° for performing the X, K double-sided bevel. There is no need to use any tools for rotation. No need to handle material resulting in significant time savings.

The quick-connect system offers the ability to connect and disconnect the UZ15 RAPID from the 3D Manipulator within seconds without the use of any tools. This will be used in a situation where the 3D Manipulator cannot track the machine due to the poor quality of the working floor. The machine is then able to drive along the material itself. The 3D manipulator system enables the machine to adapt its working position to the current workplace situation, the UZ15 RAPID so-called „floats“ on the machined metal sheet and compensates for any unevenness of the floor or material deformation.

The 3D manipulator also ensures convenient transport of the machine across the workplace.

The lifting mechanism allows an easy adjustment of the working height of the machine.

Large castors guarantee comfortable overcoming obstacles and unevenness.

Working with or without the 3D Manipulator is possible.

Possibility to use 3D Manipulator as a fixed workstation for small pieces processing or as a UZ15 RAPID service bracket.

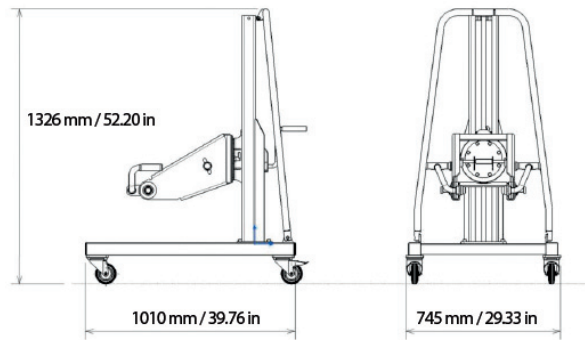
- Quick and easy to flip of the UZ 15 RAPID machine by 180° to create double-sided bevelling in X or K shape
An operator does not need a crane to turn the material - great time savings
- Unique clamping system for the manipulator, few seconds removal without any use of tools
- The UZ 15 RAPID “floats” in the 3D MANIPULATOR and compensates for floor unevenness
- The 3D MANIPULATOR enables easy machine handling
- Required height adjustable with the lifting device
- The possibility to use the machine with without the 3D manipulator
- The possibility to use the 3D Manipulator a stationary mode
- The possibility to use the 3D Manipulator as a service station for the maintenance of UZ 15 RAPID

Technical data:

Weight of the whole set: 179 kg / 394 lb
 Dimensions: 1010 x 745 x 1326 mm
 39.76 x 29.33 x 52.2 in

Included in price:

Bevelling system UZ 15 RAPID including 3D MANIPULATOR.
 Tools for an operator.
 Packed in a wooden crate.
 User manual.



Machine name:

Art. Nr.

Bevelling system UZ15 RAPID including the 3D MANIPULATOR (3 Phase - 400 V)	1932
Bevelling system UZ15 RAPID including the 3D MANIPULATOR (3 Phase - 480 V)	1937
Bevelling system UZ15 RAPID including the 3D MANIPULATOR (3 Phase - 220 V)	1938

