



Bevelling system UZ12 ULTRALIGHT
Maximum bevel width 12 mm / 0.47 in. Automatic feed.



UZ12 Ultralight



**Incredibly
quiet operation**



**3 BEVELERS
IN ONE**

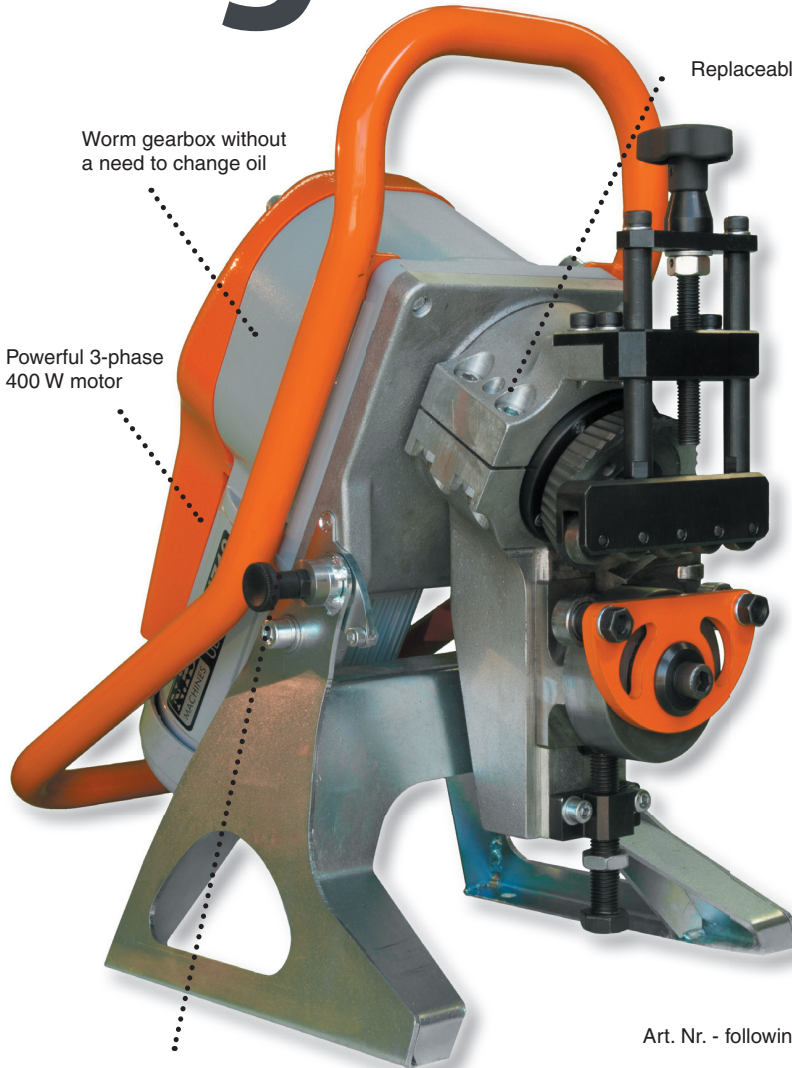
Worm gearbox without
a need to change oil

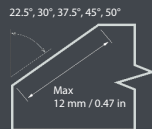
Powerful 3-phase
400 W motor

Replaceable angular KIT

Machine tilting locking

Art. Nr. - following page





The UZ12 ULTRALIGHT is one of the lightest beveling machines with the automatic feed in the market. Thanks to its compact size and low weight it is perfect not only for workshops but also for assemblies. The machine is equipped with the automatic feed. Working with UZ12 ULTRALIGHT is therefore very comfortable. The quietest beveling system on the market.

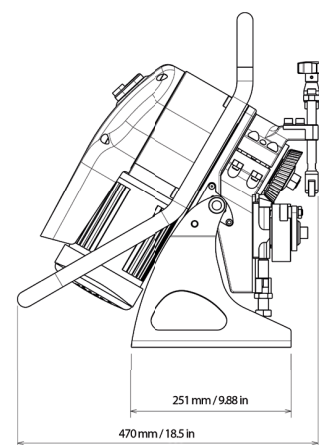
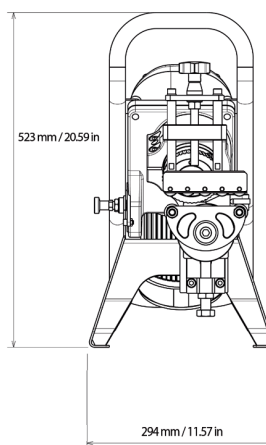
- For conventional steel (up to strength of 600 MPA / 87 022 PSI), brass, copper and aluminum materials
- For beveling material with minimum dimensions - width 65 mm / 2.56 in, length 60 mm / 2.36 in, thickness 3 mm / 0.12in
- Thickness of bevelled material 3 - 35 mm / 0.12 - 1.37 in
- Beveling of pipes from the internal Ø 95 mm / 3.74 in
- Variable bevel angle with replaceable arms/kits for each given angle
- Double-sided bevel (X, K) without the need for material handling
- Surprisingly silent drive.
- Equipped with an automatic feed
- Stationary or mobile use
- The machine works with large workpieces without any support. Speed 1.8 m/min / 5.9 ft/min
- Smaller parts of the material are inserted directly into the machine
- Lightweight and compact design. Single operator machine
- Thermal protection of the motor

Technical data:

Max. bevel width: 12 mm / 0.47 in
 Bevel angle: 30°, 45°, 22.5°, 37.5°, 50° (replaceable KIT)
 Thickness of bevel. material: 3 - 35 mm / 0.12 - 1.37 in
 Engine: 400 W
 Feed: 1,8 m/min. / 5.9 ft/min.
 Weight: 30 kg / 66 lb
 Dimensions: 470 x 294 x 523 mm / 18.5 x 11.57 x 20.59 in

Included in price:

Beveling system UZ12 ULTRALIGHT.
 Tools for an operator.
 Packed in a wooden crate.
 User manual.



Machine name:

Art. Nr. - 400V
3 phase

Art. Nr. - 480V
3 phase

Art. Nr. - 220V
3 phase

Beveling system UZ12 ULTRALIGHT - set (KIT 30° + 45°)	1922	1819	1913
Beveling system UZ12 ULTRALIGHT - set (KIT 22,5° + 30° + 37,5° + 45° + 50° + pipe beveling tool)	1918	1818	1912

Accessories:

	Art. Nr.
ECO cutting tool - suitable for conventional steel	1927
ECO cutting tool - suitable for conventional steel - 2 + 1 free set	1928
PVD cutting tool - suitable for tougher materials	1916
PVD cutting tool - suitable for tougher materials - 2 + 1 free set	1935
Separate KIT 22.5°	1926
Separate KIT 30°	1923
Separate KIT 37.5°	1925
Separate KIT 45°	1924
Separate KIT 50°	1929
Pipe and tube beveling fixture from Ø 95 mm / 3.74 in (internal diameter)	1919
3D Manipulator - allows you to rotate the machine by 180° thus creating a two-sided bevel and facilitates the machine transport at the workplace.	1930
Adapter for connecting UZ 12 Ultralight with the 3D Manipulator	1911

