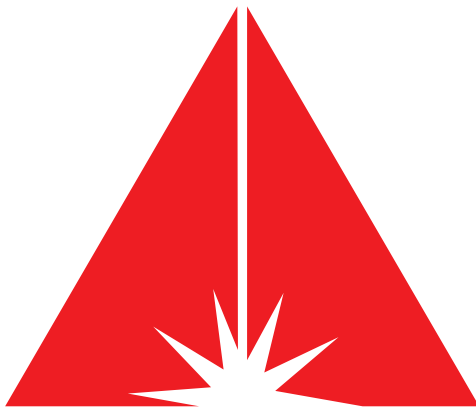

USER MANUAL



UNITY
LASERS

ELITE 2 ILDA | ELITE 3 ILDA
ELITE 5 ILDA | ELITE 10 ILDA

<p>Notice AVOID EYE OR SKIN EXPOSURE TO DIRECT OR SCATTERED LIGHT CLASS 4 LASER PRODUCT</p>	<p>Manufactured / Certified by Unity Lasers s.r.o. Odborárska 23 831 02 Bratislava Slovakia, Europe</p>	<p>Classified per IEC 60825-1: 2014 Complies with US FDA CDHR laser safety standards 21 CFR 1040.10 & 1040.11 and Laser notice 56</p>
---	---	---

CONTENTS

INTRODUCTION	3
WHAT IS INCLUDED	3
UNPACKING INSTRUCTIONS	3
GENERAL INFORMATION	3
SAFETY NOTES	4
LASER AND SAFETY NOTES	5
PRODUCT SAFETY LABEL LOCATION	7
PRODUCT SAFETY LABELS	8
INTERLOCK CONNECTION DIAGRAM	10
INSTRUCTIONS FOR USING E-STOP SYSTEM	11
THEORY OF OPERATION	12
PROPER USAGE	12
RIGGING	12
OPERATION	13
SAFETY TESTS	15
• E-STOP FUNCTION	15
• INTERLOCK RESET FUNCTION (POWER)	15
• KEY SWITCH FUNCTION	15
• INTERLOCK RESET FUNCTION (REMOTE INTERLOCK BYPASS)	15
MODEL SPECIFICATION	16
• PRODUCT SPECIFICATION (ELITE 2 ILDA)	16
• FRONT & REAR PANEL VIEW (ELITE 2 ILDA)	17
• DIMENSION DETAILS (ELITE 2 ILDA)	18
• PRODUCT SPECIFICATION (ELITE 3 ILDA)	19
• FRONT & REAR PANEL VIEW (ELITE 3 ILDA)	20
• DIMENSION DETAILS (ELITE 3 ILDA)	21
• PRODUCT SPECIFICATION (ELITE 5 ILDA)	22
• FRONT & REAR PANEL VIEW (ELITE 5 ILDA)	23
• DIMENSION DETAILS (ELITE 5 ILDA)	24
• PRODUCT SPECIFICATION (ELITE 10 ILDA)	25
• FRONT & REAR PANEL VIEW (ELITE 10 ILDA)	26
• DIMENSION DETAILS (ELITE 10 ILDA)	27
ILDA PINOUT SPECIFICATION	28
TECHNICAL INFORMATION – MAINTENANCE	29
SERVICE	29

INTRODUCTION

Thank you for purchasing your purchase. To optimize the performance of your laser, please read these operating instructions carefully and familiarize yourself with the basic operations of this system. These instructions contain important safety information regarding the use and maintenance of this system as well. Please keep this manual with the unit, for future reference. If you sell this product to another user, be sure that they also receive this document.

Notice

- We are constantly striving to improve the quality of our products. As such, the content of this manual may be changed without notice.
- We have tried our best to guarantee the accuracy of this manual. If you have any questions or find any errors, please contact us directly to help address this.

WHAT IS INCLUDED

NAME	PCS	Remark
ILDA series Laser	1	
Control cable – ILDA 10m	1	
Power cord AC 1,5m	1	
Keys for Projector key switch	2	
Keys for E-stop box	2	
E-stop box Unity	1	
E- stop box connecting cable 10m	1	
Remote interlock bypass 3pin	1	
User guide	1	

UNPACKING INSTRUCTIONS

- Open the package and carefully unpack everything inside.
- Ensure all parts are present and in good condition.
- Do not use any equipment that appears to be damaged.
- If any parts are missing or damaged then please immediately notify your carrier or local distributor.

GENERAL INFORMATION

The following chapters explain important information about lasers in general, basic laser safety and some tips about how to use this device correctly. Please read this information as it contains critical information you must be aware of, prior to using this system.

SAFETY NOTES

WARNING! This projector is a Class 4 laser product. It must never be used for audience-scanning applications. The output beam of the projector must always be at least 3 metres above the floor in the audience. See the Operating Instructions section for further information.

Please read the following notes carefully! They include important safety information about the installation, usage, and maintenance of this product.

- Keep this User Manual for future consultation. If you sell this product to another user, be sure that they also receive this document.
- Always make sure that the voltage of the outlet to which you are connecting this product is within the range stated on the decal or rear panel of this product.
- This product is not designed for use outdoors in adverse weather conditions. To prevent risk of fire or shock, do not expose this product to rain or moisture.
- Always disconnect this product from the power source before cleaning it or replacing the fuse.
- Make sure to replace the fuse with another of the same type and rating.
- If mounting it overhead, always secure this product to a fastening device using a safety chain or cable.
- In the event of serious operating problem, stop using the projector immediately. Never try to repair the unit except in a controlled environment under trained supervision. Repairs carried out by unskilled people can lead to damage or malfunction of the unit, as well as exposure to dangerous laser light.
- Never connect this product to a dimmer pack.
- Make sure the power cord is not crimped or damaged.
- Never disconnect the power cord by pulling or tugging on the cord.
- Never carry a product from the power cord or any moving part. Always use the hanging/mounting bracket or the handles.
- Always avoid eye or skin exposure to direct or scattered light from this product.
- Lasers can be hazardous and have unique safety considerations. Permanent eye injury and blindness is possible if lasers are used incorrectly. Pay close attention to each safety REMARK and WARNING statement in this user manual. Read all instructions carefully BEFORE operating this device.
- Never intentionally expose yourself or others to direct laser light.
- This laser product can potentially cause instant eye injury or blindness if laser light directly strikes the eyes.
- It is illegal and dangerous to shine this laser into audience areas, where the audience or other personnel could get direct laser beams or bright reflections into their eyes.
- It is a US Federal offense to shine any laser at aircraft.
- **No service allowed by customer. There are no user serviceable parts inside the unit. Do not attempt any repairs yourself.**
- **Service is only to be handled by the factory or authorized factory trained technicians.**
- **Product is not to be modified by the customer.**
- **Caution - use of controls or adjustments or performance of procedures other than those specified herein may result in hazardous radiation exposure.**

LASER AND SAFETY NOTES

STOP AND READ ALL THE LASER SAFETY NOTES BELOW

Laser light is different from any other light sources with which you may be familiar. The light from this product can cause eye and skin injury if not set up and used properly. Laser light is thousand of times more concentrated than light from any other kind of light source. This concentratinon of light can cause instant eye injuries, primarily by burning the retina (the light sensitive portion at the back of the eye). Even if you cannot feel “heat” from a laser beam, it can still potentially injure or blind you or your audience. Even very small amounts of laser light are potentionally hazardous even at long distances. Laser eye injuries can happen quicker than you can blink. It is incorrect to think that because these laser entertainment products use high speed scanned laser beams, that an individual laser beam is safe for eye exposure. It is also incorrect to assume that because the laser light is moving, it is safe. This is not true.

Since eye injuries can occur instantly, it is critical to prevent the possibility of any direct eye exposure. It is not legal to aim this laser projector into areas where people can be exposed. This is true even if it is aimed below people’s faces, such as on a dance floor.

- Do not operate the laser without first reading and understanding all safety and technical data in this manual.
- Always set up and install all laser effects so that all laser light is at least 3 metres (9.8 feet) above floor on which people can stand. See the “Proper Usage” section later in this manual.
- After set up, and prior to public use, test the laser to ensure proper function. Do not use if any defect is detected.
- Laser Light - Avoid Eye or Skin Exposure to Direct or Scattered Light.
- Do not point lasers at people or animals.
- Never look into the laser aperture or laser beams.
- Do not point lasers in areas where people can potentionally be exposed, such as uncontrolled balconies, etc.
- Do not point lasers at highly reflective surfacesm such as windows, mirrors and shiny metal objects. Even laser reflections can be hazardous.
- Never point a laser at aircraft, as this is a US Federal offense.
- Never point un-terminated laser beams into the sky.
- Do not expose the output optic (aperture) to cleaning chemicals.
- Do not use the laser if the housing is damaged, open, or if the optics appear damaged in any way.
- Never leave this device running unattended.
- In the United States, this laser product may not be purchased, sold, rented, leased or loaned for use unless the recipient possesses a valid Class 4 laser light show variance from the US FDA CDRH.
- This product must always be operated by a skilled and well-trained operator who is familiar with the data included in this manual. Note that use of this projector in the United States also requires a valid Class 4 laser light show variance from the CDRH as stated above.
- The legal requirements for using laser entertainment products vary from country to country. The user is responsible for the legal requirements at the location/country of use.
- Always use appropriate lighting safety cables when hanging this projector overhead.

LASER EMISSION DATA

- **Class 4 Laser Projector - Avoid Eye and Skin Exposure to Direct or Scattered Light!**
- **This Laser Product is designated as Class 4 during all procedures of operation.**
- Further guidelines and safety programs for safe use of lasers can be found in the ANSI Z136.1 Standard “For Safe Use of Lasers”, available from the Laser Institute of America: www.laserinstitute.org. Many local governments, corporations, agencies, military and others, require all lasers to be used under the guidelines of ANSI Z136.1.

UNITY Lasers s.r.o.

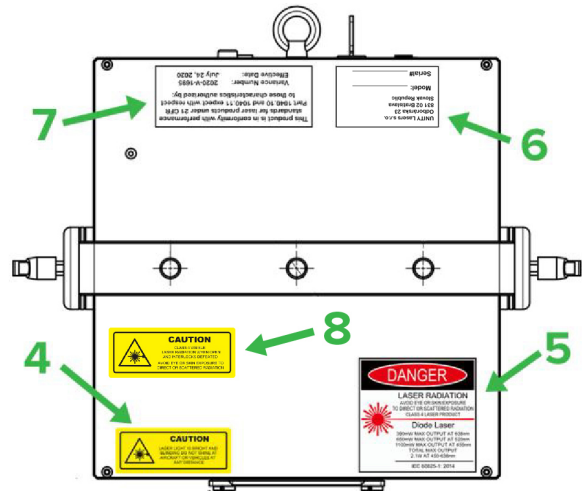
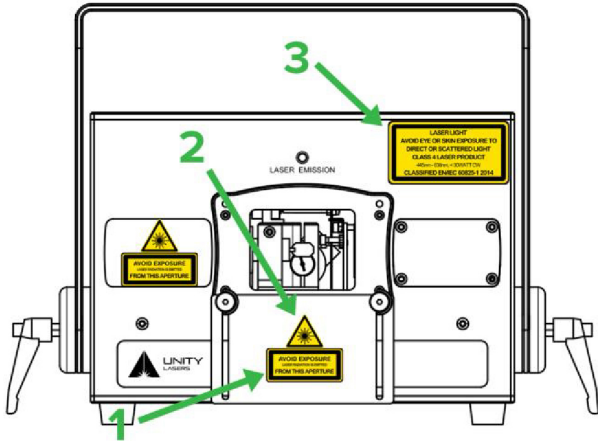
- Laser Classification Class 4
- Red Laser Medium AlGaInP, 639 nm, depending on model
- Green Laser Medium InGaN, 520-525 nm, depending on model
- Blue Laser Medium InGaN, 445 nm to 465 nm depending on model
- Beam Diameter <10 mm at aperture
- Divergence (each beam) <2 mrad
- Maximum total output power 2 – 11,5 W, depending on model

LASER COMPLIANCE STATEMENT

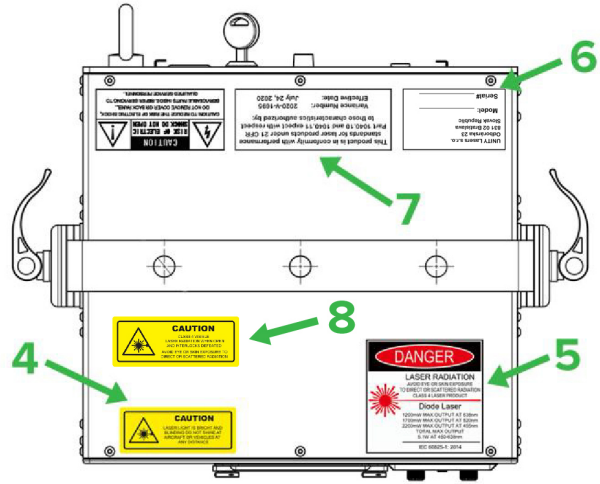
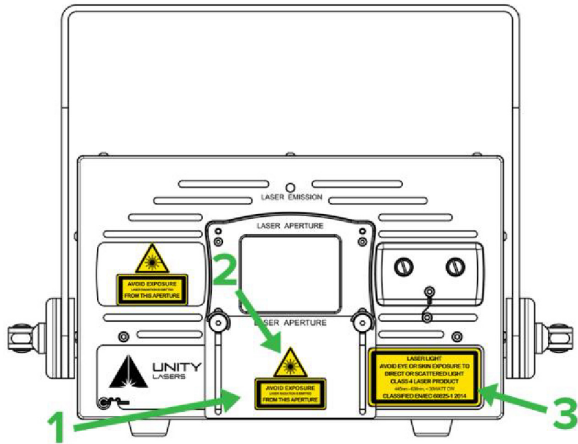
- This laser product complies with FDA performance standards for laser products except for deviations pursuant to Laser Notice No. 56, dated May 8, 2019. This laser device is classified as a Class 4 demonstration laser product.
- No maintenance is required to keep this product in compliance with laser performance standards.

PRODUCT SAFETY LABEL LOCATION

Elite 2 & 3



Elite 5 & 10



FRONT PANEL

1. Aperture Label
2. Hazard Warning Symbol
3. Laser Light Warning Label

TOP PANEL

4. Aircraft Warning Label
5. Logotype Danger Label
6. Manufacturer Label
7. Certification Label
8. Interlocked Housing Label (duplicate label is located inside the laser projector and is visible when the top cover is removed)

See next page for large reproductions of the product labels. All these labels must be intact and legible prior to using the projector.

PRODUCT SAFETY LABELS



Logotype Danger Label



Hazard Warning Symbol



Aperture Label



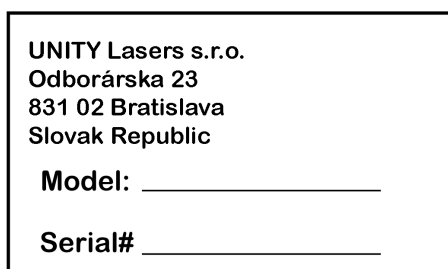
Aircraft Warning Label



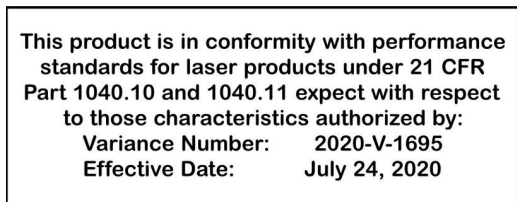
Interlocked Housing Label



Laser Light Warning Label



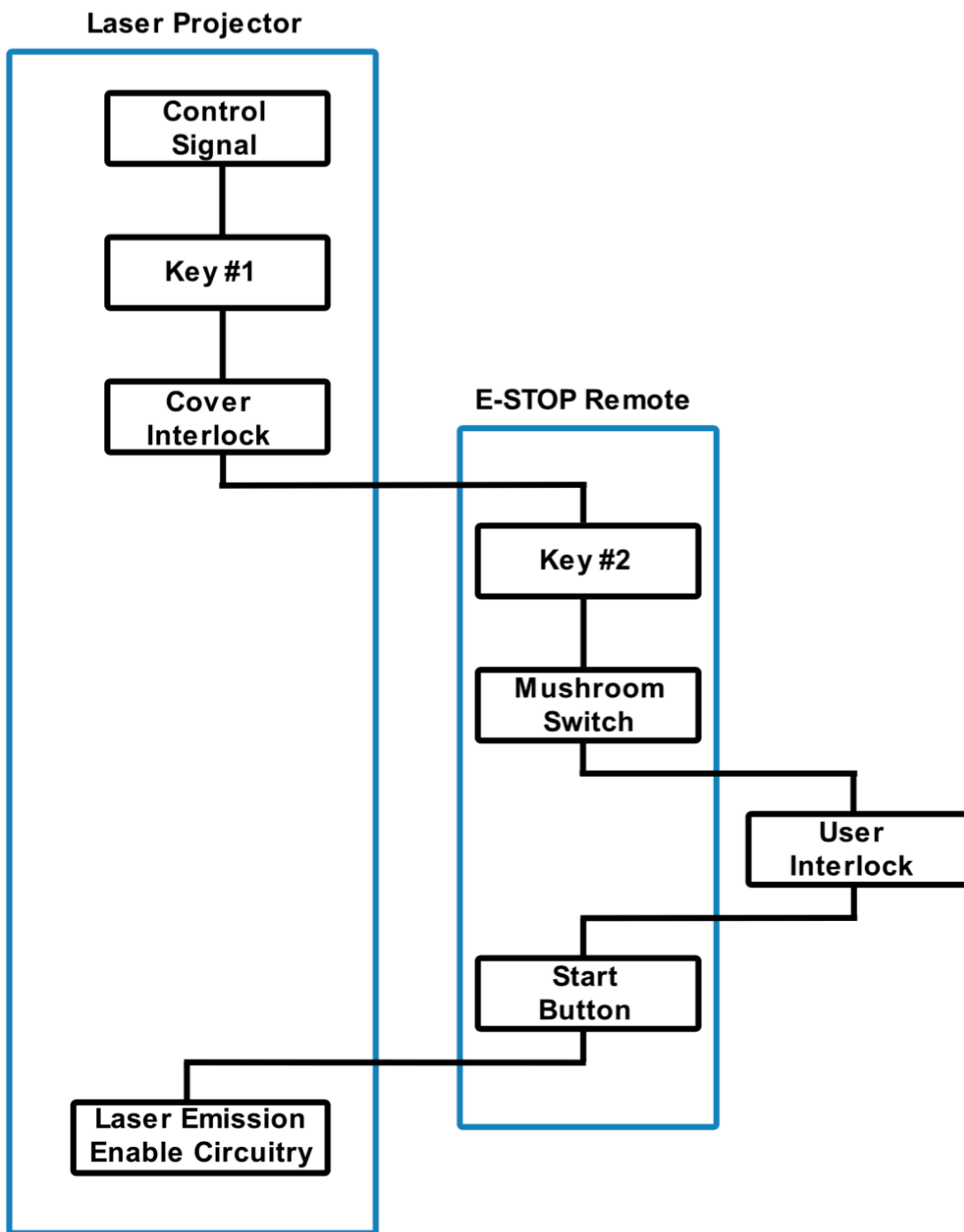
Manufacturer Label



Certification Label



INTERLOCK CONNECTION DIAGRAM



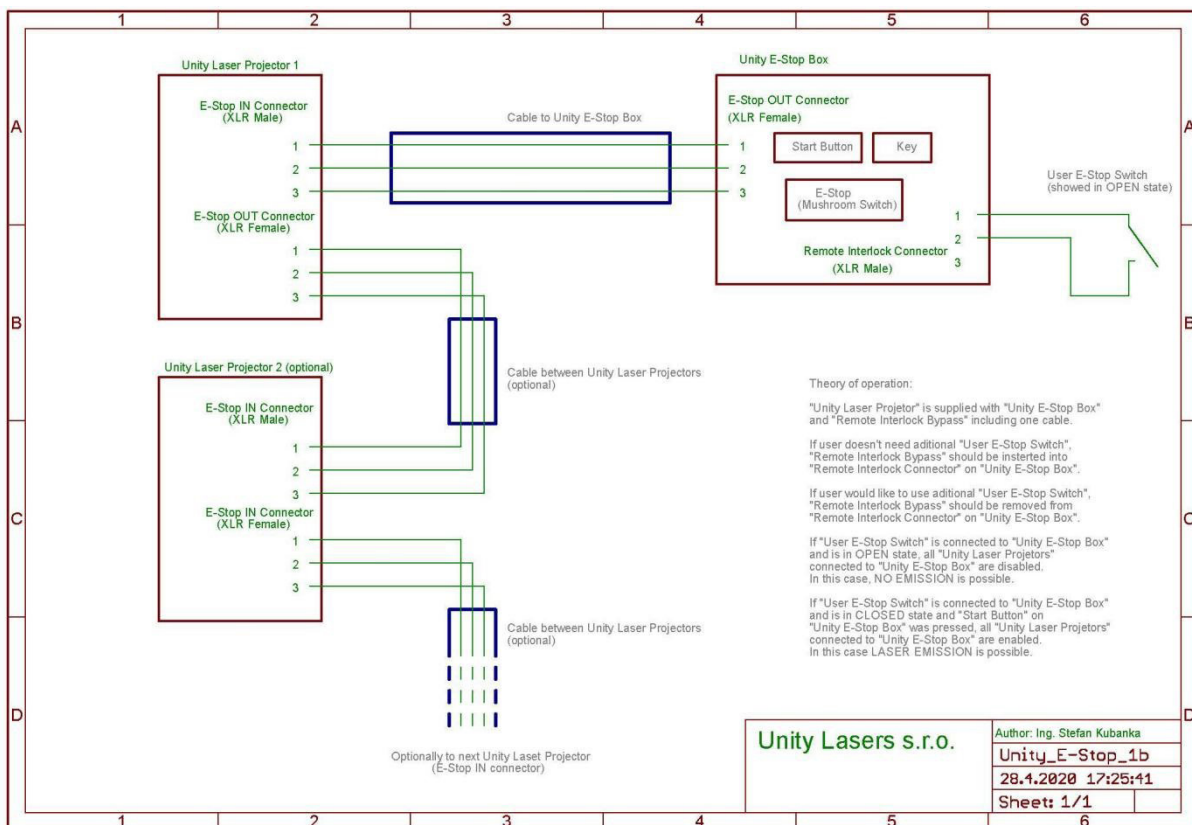
INSTRUCTIONS FOR USING E-STOP SYSTEM

Connect the E-stop box to the 3-pin interlock connector on the rear of the laser projector using a 3-PIN XLR cable.

**** Note that the E-stop box has an available secondary interlock port. The secondary port is to be used to interface a secondary interlock device (e.x. door switch or pressure sensitive step pad). If a secondary interlock device is NOT used then the secondary port must have the bypass shunt plug inserted.**



The diagram below outlines the pinout configuration for the 3-pin connection from E-STOP box to the rear of the projector.



THEORY OF OPERATION

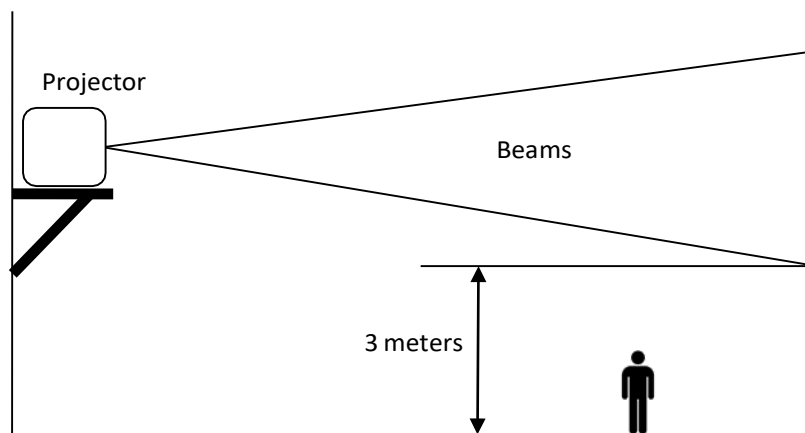
“UNITY Laser projector” is supplied with “E-Stop Box” and “Remote Interlock Bypass” including one cable. If user doesn't need additional “User E-Stop Switch”, “Remote Interlock Bypass” should be inserted into “Remote Interlock Connector” on “E-Stop Box”. If the user would like to use additional “User E-Stop Switch”, “Remote Interlock Bypass” should be removed from “User E-Stop Connector” on “E-Stop Box”. If the „User E-Stop switch“ is used, then laser emission is ONLY possible, when it is in CLOSED state, and also all other safety features are satisfied (e.g. mushroom switch, keyswitches, scanfail safety, ...)

PROPER USAGE

This product is for overhead mounting only. For safety purposes, this projector should be mounted on steady elevated platforms or sturdy overhead supports using suitable hanging clamps. In all cases, you must use safety cables.

International laser safety regulations require that the laser products must be operated in the fashion illustrated below, with a minimum of 3 metres (9.8 ft.) of vertical separation between the floor and the lowest laser light vertically. Additionally, 2.5 metres of horizontal separation is required between laser light and the audience or other public spaces.

The audience area can be passively protected by sliding the aperture cover plate upwards and fixing it in proper position by the two thumb screws.



RIGGING

- Be sure that the structure onto which you are mounting this product can support its weight.
- Mount the product securely. You can do this with a screw, a nut, and a bolt. You may also use a mounting clamp if rigging this product onto a truss. The U-shaped support bracket has three mounting holes which may be used to secure the clamps to the projector.
- When mounting this product overhead, always use a safety cable.
- Always consider ease of access to the unit before deciding on a location for this product.

Caution – use of controls or adjustments or performance of procedures other than those specified herein may result in hazardous radiation exposure.

This Laser Product is designated as Class 4 during all procedures of operation.

REMINDER: In the United States, this laser product may not be purchased, sold, rented, leased or loaned for use unless the recipient possesses a valid Class 4 laser light show variance from the US FDA CDRH.

OPERATION

INSTRUCTIONS FOR POWERING ON THE LASER SYSTEM

1. Connect power cable and E-stop.
2. Connect the 3-pin Interlock cable between the E-stop box and projector, pull up the red mushroom switch and turn on the key switch. Press the start button. Confirm secondary E-stop port has either the bypass plug installed or a secondary interlock device attached.
3. Connect the DB25 ILDA cable(s) to the projector. Then connect to any software box (for example Pangolin QuickShow FB3 or FB4 hardware), and then select the pattern on software. Notice; please choose “Allow laser output” in software.

See the next page for **demonstration photos**.

1. Connect the system



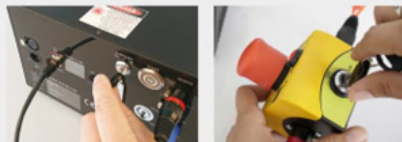
A: To control the system with an external signal such as Ethernet or ILDA, plug the corresponding cable into its designated connector at the back of the unit.

B: Connect the Emergency STOP Remote to the socket labelled as REMOTE INPUT with a supplied 3-pin XLR cable.

C: Insert the Remote Interlock Bypass to the E-STOP Remote to disable the interlock. (USA only)

D: Use supplied Neutrik powerCON power cable to connect the laser system to a main power supply using the input connector.

2. Insert safety keys



A: Turn the laser system key to ON position

B: Turn the E-STOP Remote key to ON position.

3. Disable the Interlock



A: Release the E-STOP button by pulling it upwards.

B: Press the START button on the E-STOP Remote.



4. After the Emission Delay Period, the laser projector will be ready to start the emission.

INSTRUCTIONS FOR TURNING OFF THE LASER SYSTEM

1. Turn off the key switch; and deactivate via the red mushroom switch on the E-stop box. You can remove the 3-pin Interlock too, if the laser will be kept for no use. (We recommend having a professional operator to keep the keys and 3-pin Interlock switch.)
2. Turn off the power to the projector via the power switch.

SAFETY TESTS

E-STOP FUNCTION

- With the projector operating and projecting laser light, press the E-stop switch. The projector must shut off immediately.
- Fully extend the red E-stop switch, until a yellow collar is visible on the switch stem. The projector must not emit any laser light.
- Press the start button on E-stop box. The projector should now re-start and begin emitting laser light.
- Verify that the emission indicator is now lit.

INTERLOCK RESET FUNCTION (POWER)

- With the projector operating and projecting laser light, unplug the AC power cable. The projector must shut off immediately.
- Plug the power cable back in. The projector must not emit any laser light.
- Press the start button on the E-stop box. The projector should now re-start and begin emitting laser light.
- Verify that the emission indicator is now lit.

KEY SWITCH FUNCTION

- With the projector operating and projecting laser light, turn the key switch on the remote E-stop control unit to off. The projector must shut off immediately.
- Turn the key switch back to on. The projector must not emit any laser light.
- Press the start button on the E-stop box. The projector should now re-start and begin emitting laser light.
- Verify that the emission indicator is now lit.

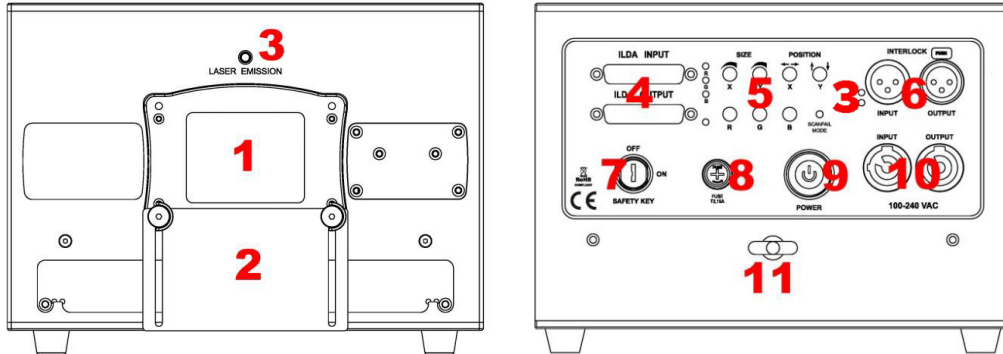
If any of the above tests fail, the projector must be taken out of service and returned to the manufacturer for repair.

MODEL SPECIFICATION

Product specification (Elite 2 ILDA)

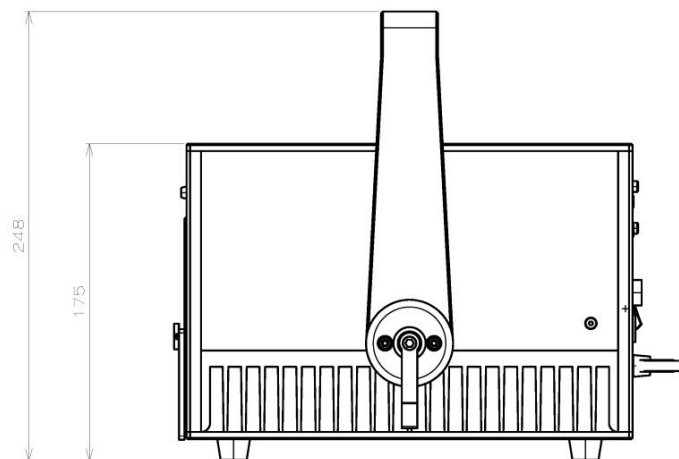
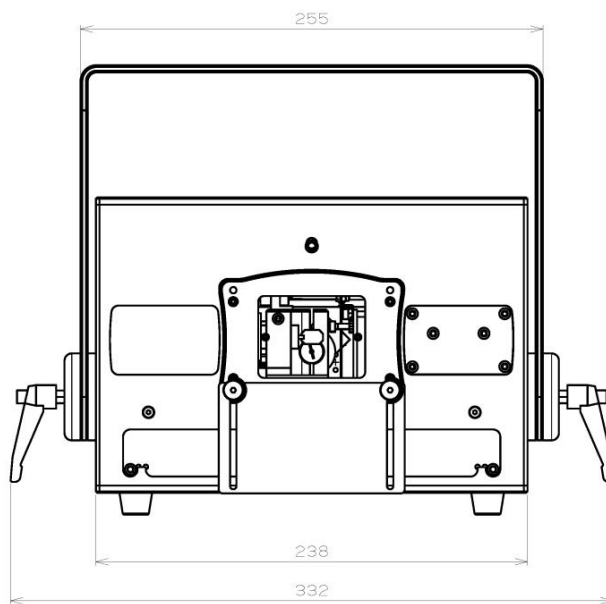
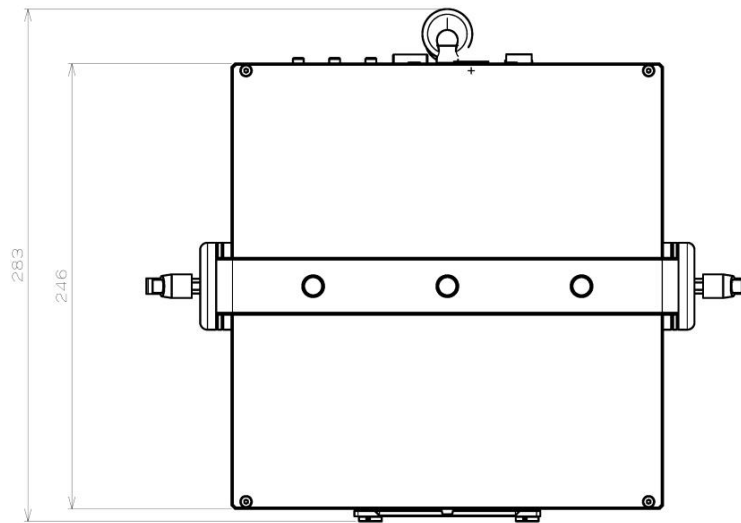
Type of laser:	full-colour, semiconductor diode laser system
Guaranteed optical output:	> 2,000mW
Suitable for:	small to medium indoor / outdoor laser shows and laser graphic displays
Control signal:	ILDA - We recommend Pangolin FB3QS and QuickShow
Scanning system:	30,000 points per second @ 8°
Scan angle:	50°
Safety:	fully complies with the latest EN 60825-1, and FDA regulations
Weight:	8 kg
Package includes:	Heavy duty flight case, power cord, 10m ILDA signal cable, E-STOP box with 10m cable, set of 4 safety keys, 3-pin interlock bypass plug, user guide.
R G B [mw]:	390 650 1100
Beam size [mm]:	2 x 4
Beam divergence:	<1mrad [full angle]
Modulation:	Analog, 100kHz
Power requirements:	100-230V/50Hz
Consumption:	max. 150W
Operation temperature:	10-40 °C
Ingress rating:	IP 20
System features:	All the adjustments such as power output of each colour, X & Y axes invert, X & Y size and position, etc. Scanning system protection, daisy chain of emergency STOP signal for multiple system "one-hit" operation.
Laser safety features:	Keyed interlock, emission delay, magnetic interlock, scan-fail safety, mechanical shutter, adjustable aperture masking plate.
Notice:	*Due to Advanced Optical Correction technology used in our laser systems the optical power output of each laser colour within the system may slightly differ from the specification of respective laser module(s) installed. This does not affect the total guaranteed power output.
Dimensions [cm]:	Length: 238 Width: 246 Height: 175

Front & Rear panel view (Elite 2 ILDA)



NO.	Name	Function
1.	Laser Aperture	Laser output, do not look directly into this aperture.
2.	Aperture masking plate	Can be moved up and down when two locking bolts are loosened. The masking plate can also be attached to the top of the aperture.
3.	Laser emission	When this indicator is lit up the laser system is ready to emit the laser radiation as soon as it receives instructions from control software.
4.	DB25 IN & OUT	DB25 interface in and out for ILDA mode
5.	Function knob	For X Y moving, invert & size; R, G, B brightness adjustment.
6.	3-Pin Interlock	Laser output is available only when the interlock is connected. It could be used to connect a laser emergency switch.
7.	Key switch	Turn the key switch ON to allow laser output.
8.	Fuse	Current rating 3.15A, slow acting type.
9.	Power ON/OFF	Power on/off
10.	Power in & out	AC100-240V power input and output sockets. With output feature you can connect the device to one another using the input and output sockets. They must be the same fixtures. DO NOT mix fixtures.
11.	Safety eyelet	Use this together with appropriate safety wire to secure the system against unexpected fall.

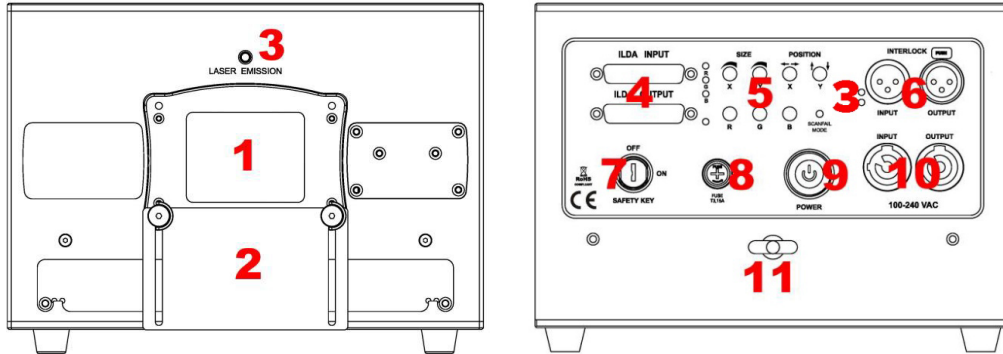
Dimension details (Elite 2 ILDA)



Product specification (Elite 3 ILDA)

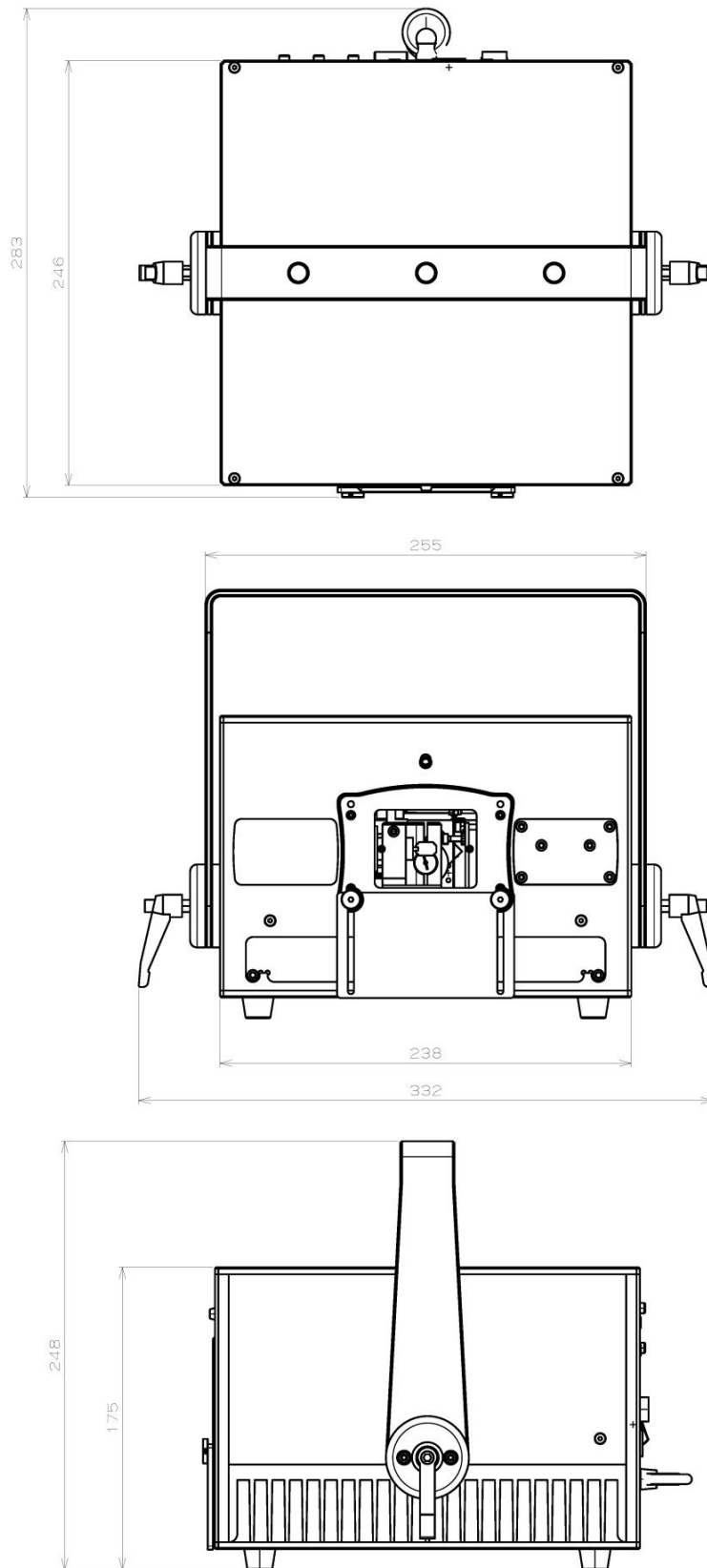
Type of laser:	full-colour, semiconductor diode laser system
Guaranteed optical output:	> 3,100mW
Suitable for:	small to medium indoor / outdoor laser shows and laser graphic displays
Control signal:	ILDA - We recommend Pangolin FB3QS and QuickShow
Scanning system:	30,000 points per second @ 8°
Scan angle:	50°
Safety:	fully complies with the latest EN 60825-1, and FDA regulations
Weight:	8 kg
Package includes:	Heavy duty flight case, power cord, 10m ILDA signal cable, E-STOP box with 10m cable, set of 4 safety keys, 3-pin interlock bypass plug, user guide.
R G B [mw]:	610 800 1760
Beam size [mm]:	2 x 4
Beam divergence:	<1mrad [full angle]
Modulation:	Analog, 100kHz
Power requirements:	100-230V/50Hz
Consumption:	max. 150W
Operation temperature:	10-40 °C
Ingress rating:	IP 20
System features:	All the adjustments such as power output of each colour, X & Y axes invert, X & Y size and position, etc. Scanning system protection, daisy chain of emergency STOP signal for multiple system "one-hit" operation, internal fuse.
Laser safety features:	Keyed interlock, emission delay, magnetic interlock, scan-fail safety, mechanical shutter, adjustable aperture masking plate.
Notice:	*Due to Advanced Optical Correction technology used in our laser systems the optical power output of each laser colour within the system may slightly differ from the specification of respective laser module(s) installed. This does not affect the total guaranteed power output.
Dimensions [cm]:	Length: 238 Width: 246 Height: 175

Front & Rear panel view (Elite 3 ILDA)



NO.	Name	Function
1.	Laser Aperture	Laser output, do not look directly into this aperture.
2.	Aperture masking plate	Can be moved up and down when two locking bolts are loosened. The masking plate can also be attached to the top of the aperture.
3.	Laser emission	When this indicator is lit up the laser system is ready to emit the laser radiation as soon as it receives instructions from control software.
4.	DB25 IN & OUT	DB25 interface in and out for ILDA mode
5.	Function knob	For X Y moving, invert & size; R, G, B brightness adjustment.
6.	3-Pin Interlock	Laser output is available only when the interlock is connected. It could be used to connect a laser emergency switch.
7.	Key switch	Turn the key switch ON to allow laser output.
8.	Fuse	Current rating 3.15A, slow acting type.
9.	Power ON/OFF	Power on/off
10.	Power in & out	AC100-240V power input and output sockets. With output feature you can connect the device to one another using the input and output sockets. They must be the same fixtures. DO NOT mix fixtures.
11.	Safety eyelet	Use this together with appropriate safety wire to secure the system against unexpected fall.

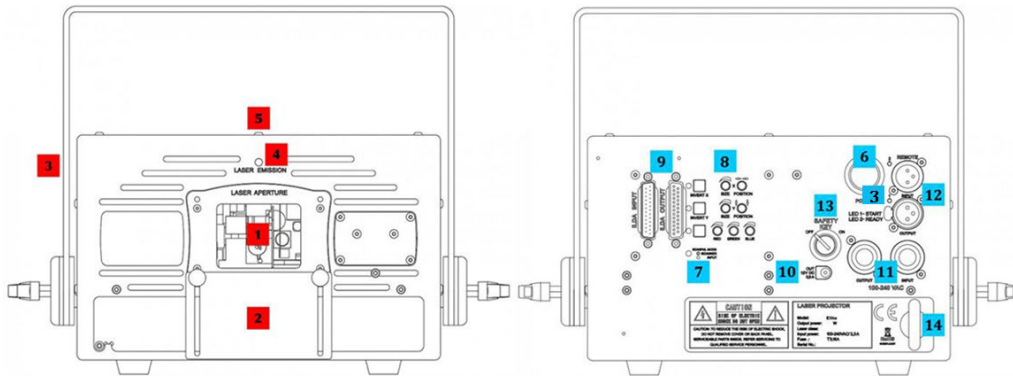
Dimension details (Elite 3 ILDA)



Product specification (Elite 5 ILDA)

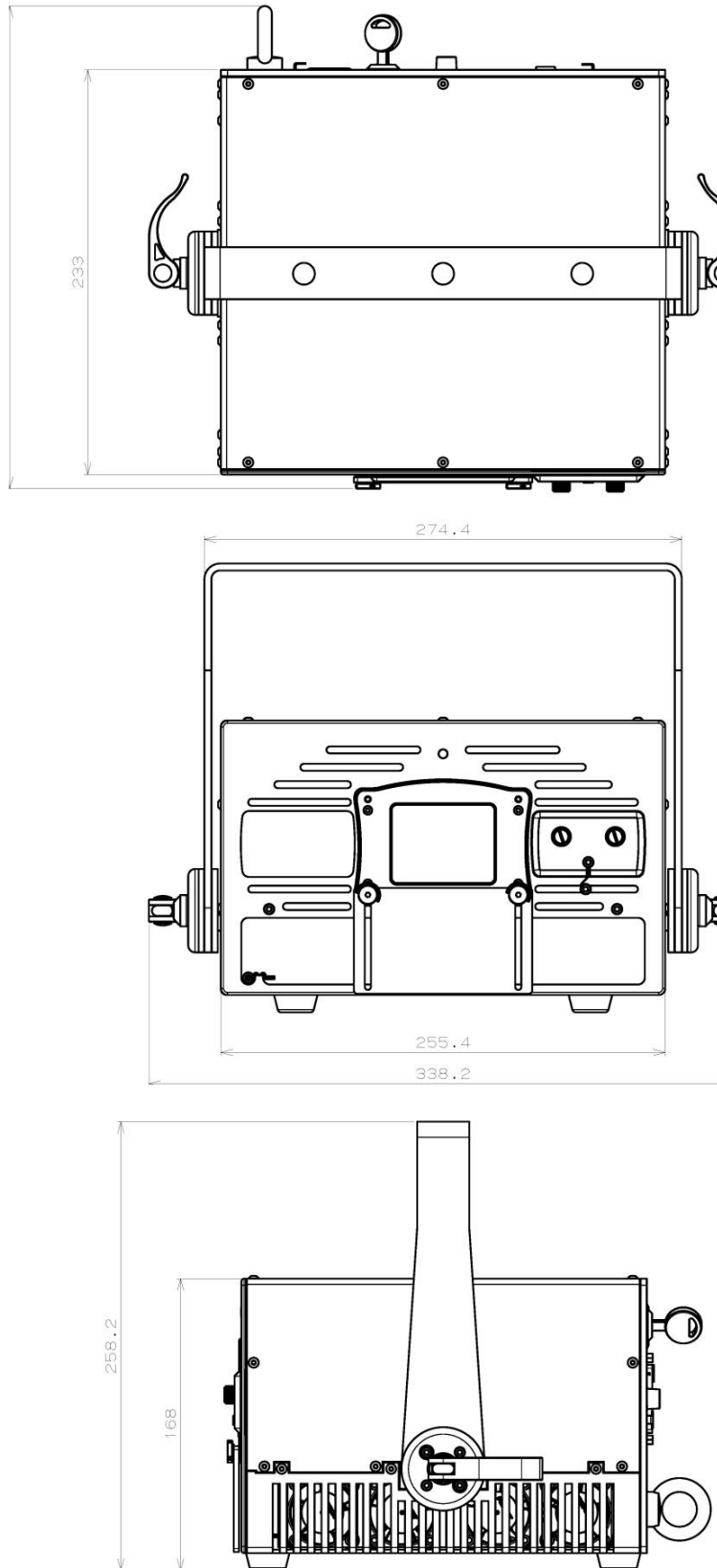
Type of laser:	full-colour, semiconductor diode laser system
Guaranteed optical output:	> 5,500mW
Suitable for:	medium to large indoor / outdoor laser shows and laser graphic displays
Control signal:	ILDA - We recommend Pangolin FB3QS and QuickShow
Scanning system:	35,000 points per second @ 8°
Scan angle:	50°
Safety:	fully complies with the latest EN 60825-1, and FDA regulations
Weight:	9,2 kg
Package includes:	Heavy duty flight case, power cord, 10m ILDA signal cable, E-STOP box with 10m cable, set of 4 safety keys, 3-pin interlock bypass plug, user guide.
R G B [mw]:	1230 1800 2500
Beam size [mm]:	6 x 5
Beam divergence:	<1mrad [full angle]
Modulation:	Analog, 100kHz
Power requirements:	100-230V/50Hz
Consumption:	max. 200W
Operation temperature:	10-40 °C
Ingress rating:	IP 20
System features:	All the adjustments such as power output of each colour, X & Y axes invert, X & Y size and position, etc. Scanning system protection, daisy chain of emergency STOP signal for multiple system "one-hit" operation, internal fuse (same as on 2w and 3w).
Laser safety features:	Keyed interlock, emission delay, magnetic interlock, scan-fail safety, mechanical shutter, adjustable aperture masking plate.
Notice:	*Due to Advanced Optical Correction technology used in our laser systems the optical power output of each laser colour within the system may slightly differ from the specification of respective laser module(s) installed. This does not affect the total guaranteed power output.
Dimensions [cm]:	Length: 235 Width: 255 Height: 168

Front & Rear panel view (Elite 5 ILDA)



NO.	Name	Function
1.	Laser Aperture	Laser output, do not look directly into this aperture.
2.	Aperture masking plate	Can be moved up and down when two locking bolts are loosened.
3.	Attachment bracket	The attachment bracket spins 360 degrees around the laser body whilst it can be locked in desired position by two small locking handles on sides.
4.	Laser emission	When this indicator is lit up the laser system is ready to emit the laser radiation as soon as it receives instructions from control software.
5.	Cover bolts	To access the optical compartment of the laser system undo 18 button hex bolts and carefully remove the cover.
6.	Power ON/OFF	Power on/off
7.	Scan fail mode	This indicates the state of the Scan-fail safety circuit of the Emission Delay function. After every switch ON, this indicator will flash for about 60 seconds.
8.	Main controls	Knobs for X Y movement, invert & size; R, G, B brightness adjustment
9.	ILDA INPUT/OUTPUT	Use the input connector for the control signal input from your external control interface. The output connector is used to daisy chain control signal between multiple laser systems.
10.	Power connector	Quick Connect interface power connector
11.	Main power	Use supplied blue Neutrik Powercon power cable to connect the laser system to main power supply using the INPUT connector. The OUTPUT connector is used to daisy chain power between multiple laser systems for quick and easy installation.
12.	E-STOP	Remote connector, Interlock status indicator and User Interlock
13.	Safety key switch	The safety key must be inserted and turned to ON position in order to enable the system to operate.
14.	Safety eyelet	The safety key must be inserted and turned to ON position in order to enable the system to operate.

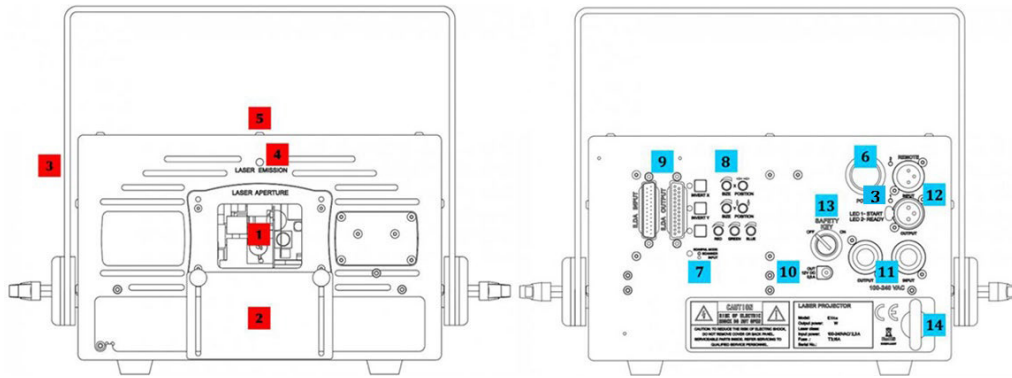
Dimension details (Elite 5 ILDA)



Product specification (Elite 10 ILDA)

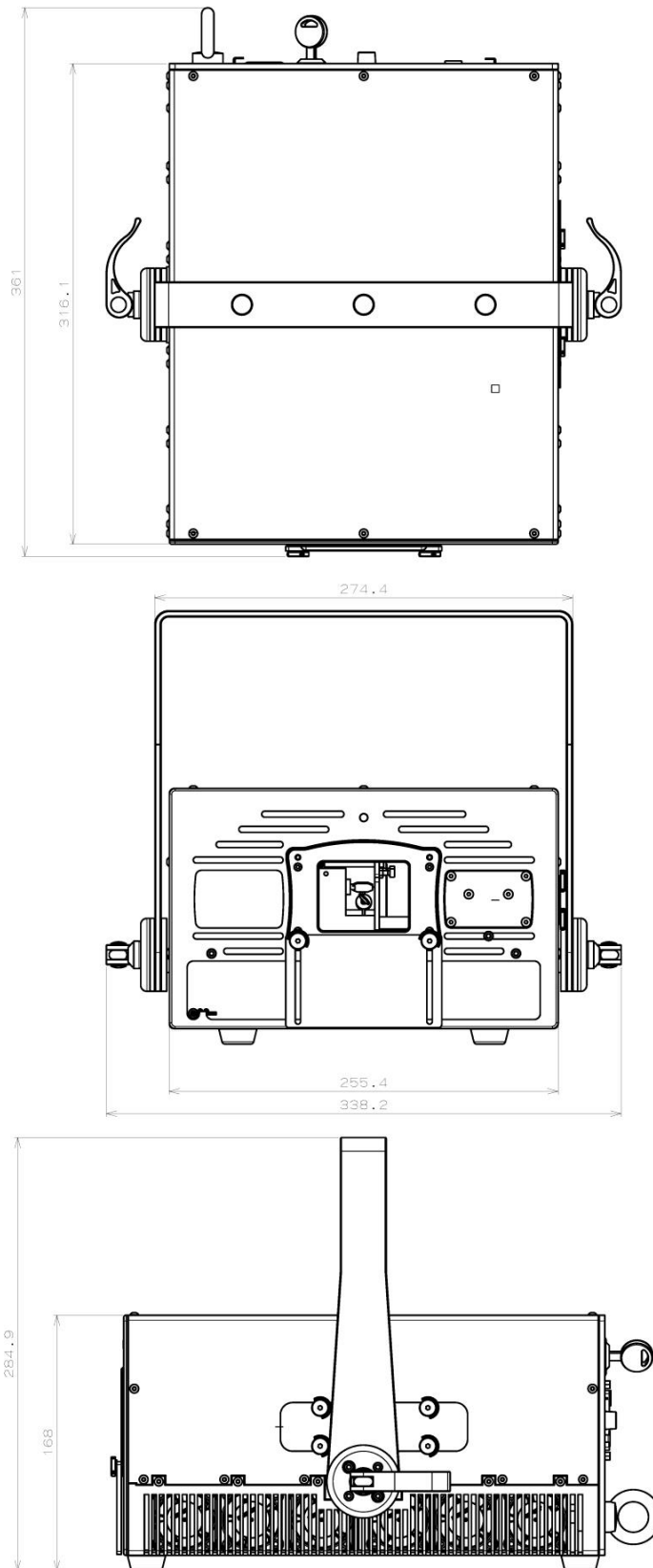
Type of laser:	full-colour, semiconductor diode laser system
Guaranteed optical output:	10,500mW
Suitable for:	medium indoor / medium outdoor laser shows and laser graphic displays
Control signal:	ILDA - We recommend Pangolin FB3QS and QuickShow
Scanning system:	35,000 points per second @ 8°
Scan angle:	50°
Safety:	fully complies with the latest EN 60825-1, and FDA regulations
Weight:	11,5 kg
Package includes:	Heavy duty flight case, power cord, 10m ILDA signal cable, E-STOP box with 10m cable, set of 4 safety keys, 3-pin interlock bypass plug, user guide.
R G B [mw]:	2500 2700 5500
Beam size [mm]:	6 x 6
Beam divergence:	1.8mrad [full angle]
Modulation:	Analog, 100kHz
Power requirements:	100-230V/50Hz
Consumption:	max. 240W
Operation temperature:	10-40 °C
Ingress rating:	IP 20
System features:	All the adjustments such as power output of each colour, X & Y axes invert, X & Y size and position, etc. Scanning system protection, daisy chain of emergency STOP signal for multiple system "one-hit" operation, internal fuse (same as on 2w and 3w).
Laser safety features:	Keyed interlock, emission delay, magnetic interlock, scan-fail safety, mechanical shutter, adjustable aperture masking plate.
Notice:	*Due to Advanced Optical Correction technology used in our laser systems the optical power output of each laser colour within the system may slightly differ from the specification of respective laser module(s) installed. This does not affect the total guaranteed power output.
Dimensions [cm]:	Length: 255 Width: 316 Height: 168

Front & Rear panel view (Elite 10 ILDA)

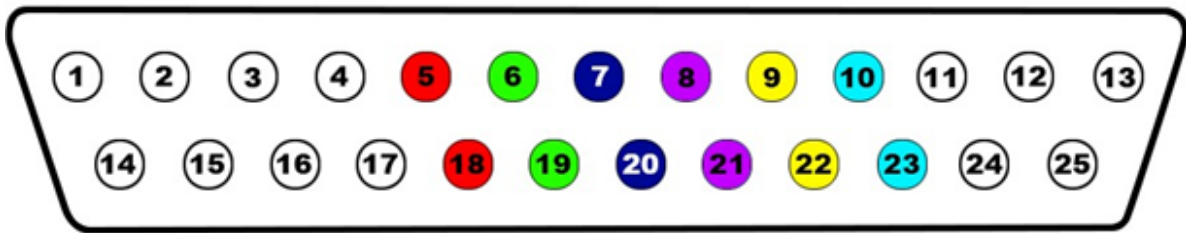


NO.	Name	Function
1.	Laser Aperture	Laser output, do not look directly into this aperture.
2.	Aperture masking plate	Can be moved up and down when two locking bolts are loosened.
3.	Attachment bracket	The attachment bracket spins 360 degrees around the laser body whilst it can be locked in desired position by two small locking handles on sides.
4.	Laser emission	When this indicator is lit up the laser system is ready to emit the laser radiation as soon as it receives instructions from control software.
5.	Cover bolts	To access the optical compartment of the laser system undo 18 button hex bolts and carefully remove the cover.
6.	Power ON/OFF	Power on/off
7.	Scan fail mode	This indicates the state of the Scan-fail safety circuit of the Emission Delay function. After every switch ON, this indicator will flash for about 60 seconds.
8.	Main controls	Knobs for X Y movement, invert & size; R, G, B brightness adjustment
9.	ILDA INPUT/OUTPUT	Use the input connector for the control signal input from your external control interface. The output connector is used to daisy chain control signal between multiple laser systems.
10.	Power connector	Quick Connect interface power connector
11.	Main power	Use supplied blue Neutrik Powercon power cable to connect the laser system to main power supply using the INPUT connector. The OUTPUT connector is used to daisy chain power between multiple laser systems for quick and easy installation.
12.	E-STOP	Remote connector, Interlock status indicator and User Interlock
13.	Safety key switch	The safety key must be inserted and turned to ON position in order to enable the system to operate.
14.	Safety eyelet	The safety key must be inserted and turned to ON position in order to enable the system to operate.

Dimension details (Elite 10 ILDA)



ILDA PINOUT SPECIFICATION



1.	X +	14.	X -
2.	Y +	15.	Y -
3.	Intensity/Blanking +	16.	Intensity/Blanking -
4.	Interlock A	17.	Interlock B
5.	R +	18.	R -
6.	G +	19.	G -
7.	B +	20.	B -
8.	Deep blue +	21.	Deep blue -
9.	Yellow +	22.	Yellow -
10.	Cyan +	23.	Cyan -
11.	Z +	24.	Z -
12.	Not connected	25.	Ground
13.	Shutter		

TECHNICAL INFORMATION - MAINTENANCE

GENERAL CLEANING INSTRUCTIONS - TO BE DONE BY USER

Due to fog residue, smoke, and dust cleaning the external body of the projector should be carried out periodically to optimize light output. Cleaning frequency depends on the environment in which the fixture operates (i.e. smoke, fog residue, dust, dew). In heavy club use we recommend cleaning on a monthly basis. Periodic cleaning will ensure longevity and crisp output.

- Unplug the product from power.
- Wait until the product is cold.
- Use a soft damp cloth to wipe down the outside projector casing.
- Use compressed air and a brush to wipe down the cooling vents and fan grill(s).
- Clean the glass panel (laser aperture) with glass cleaner and a soft cloth when dirty.
- Gently polish the glass surface until it is free of haze and lint.
- Always be sure to dry all parts completely before plugging the unit back in.

SERVICE

There are no user serviceable parts inside this unit. Do not attempt any repairs yourself; doing so will void your manufacturer's warranty. In the unlikely event your unit may require service, please contact us directly or your local distributor, who will help you with a repair or replacement. We will not accept any liability for any resulting damages caused by the non-observance of this manual or any unauthorized modification to this unit.

