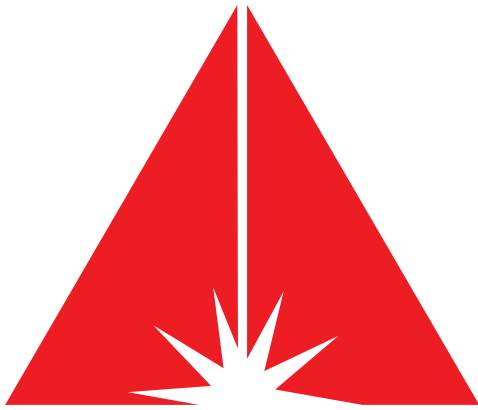

USER MANUAL



UNITY
LASERS

ELITE 5 PRO | ELITE 10 PRO
ELITE 20 PRO | ELITE 30 PRO

Notice

**AVOID EYE OR SKIN EXPOSURE
TO DIRECT OR SCATTERED LIGHT
CLASS 4 LASER PRODUCT**

Manufactured / Certified by

Unity Lasers s.r.o.
Odborárska 23
831 02 Bratislava
Slovakia, Europe

Classified per IEC 60825-1: 2014

**Complies with US FDA CDHR laser safety
standards 21 CFR 1040.10 & 1040.11
and Laser notice 56**

CONTENTS

INTRODUCTION	3
WHAT IS INCLUDED	3
UNPACKING INSTRUCTIONS	3
GENERAL INFORMATION	3
SAFETY NOTES	4
LASER AND SAFETY NOTES	5
PRODUCT SAFETY LABEL LOCATION	7
PRODUCT SAFETY LABELS	8
INTERLOCK CONNECTION DIAGRAM	9
INSTRUCTIONS FOR USING E-STOP SYSTEM	10
THEORY OF OPERATION	11
PROPER USAGE	11
RIGGING	11
OPERATION	12
SAFETY TESTS	14
• E-STOP FUNCTION	14
• INTERLOCK RESET FUNCTION (POWER)	14
• KEY SWITCH FUNCTION	14
• INTERLOCK RESET FUNCTION (REMOTE INTERLOCK BYPASS)	14
MODEL SPECIFICATION	15
• PRODUCT SPECIFICATION (ELITE 5 PRO)	15
• FRONT & REAR PANEL VIEW (ELITE 5 PRO)	16
• DIMENSION DETAILS (ELITE 5 PRO)	17
• PRODUCT SPECIFICATION (ELITE 10 PRO)	18
• FRONT & REAR PANEL VIEW (ELITE 10 PRO)	19
• DIMENSION DETAILS (ELITE 10 PRO)	20
• PRODUCT SPECIFICATION (ELITE 20 PRO)	21
• FRONT & REAR PANEL VIEW (ELITE 20 PRO)	22
• DIMENSION DETAILS (ELITE 20 PRO)	23
• PRODUCT SPECIFICATION (ELITE 30 PRO)	24
• FRONT & REAR PANEL VIEW (ELITE 30 PRO)	25
• DIMENSION DETAILS (ELITE 30 PRO)	26
• ILDA PINOUT SPECIFICATION	27
TECHNICAL INFORMATION – MAINTENANCE	28
SERVICE	28

INTRODUCTION

Thank you for purchasing your purchase. To optimize the performance of your laser, please read these operating instructions carefully and familiarize yourself with the basic operations of this system. These instructions contain important safety information regarding the use and maintenance of this system as well. Please keep this manual with the unit, for future reference. If you sell this product to another user, be sure that they also receive this document.

Notice

- We are constantly striving to improve the quality of our products. As such, the content of this manual may be changed without notice.
- We have tried our best to guarantee the accuracy of this manual. If you have any questions or find any errors, please contact us directly to help address this.

WHAT IS INCLUDED

NAME	PCS	Remark
Elite PRO Laser	1	
Control cable – ILDA 10m	1	
Power cord AC 1,5m	1	
Keys for Projector key switch	2	
Keys for E-stop box	2	
E-stop box Unity	1	
E- stop box connecting cable 10m	1	
Remote interlock bypass 3pin	1	
User guide	1	

UNPACKING INSTRUCTIONS

- Open the package and carefully unpack everything inside.
- Ensure all parts are present and in good condition.
- Do not use any equipment that appears to be damaged.
- If any parts are missing or damaged then please immediately notify your carrier or local distributor.

GENERAL INFORMATION

The following chapters explain important information about lasers in general, basic laser safety and some tips about how to use this device correctly. Please read this information as it contains critical information you must be aware of, prior to using this system.

SAFETY NOTES

WARNING! This projector is Class 4 laser product. It must never be used for audience-scanning applications. The output beam of the projector must always be at least 3 metres above the floor in the audience. See the Operating Instructions section for further information.

Please read the following notes carefully! They include important safety information about the installation, usage, and maintenance of this product.

- Keep this User Manual for future consultation. If you sell this product to another user, be sure that they also receive this document.
- Always make sure that the voltage of the outlet to which you are connecting this product is within the range stated on the decal or rear panel of the product.
- This product is not designed for use outdoors in adverse weather conditions. To prevent risk of fire or shock, do not expose this product to rain or moisture.
- Always disconnect this product from the power source before cleaning it or replacing the fuse.
- Make sure to replace the fuse with another of the same type and rating.
- If mounting it overhead, always secure this product to a fastening device using a safety chain or cable.
- In the event of a serious operating problem, stop using the projector immediately. Never try to repair the unit except in a controlled environment under trained supervision. Repairs carried out by unskilled people can lead to damage or malfunction of the unit, as well as exposure to dangerous laser light.
- Never connect this product to a dimmer pack.
- Make sure the power cord is not crimped or damaged.
- Never disconnect the power cord by pulling or tugging on the cord.
- Never carry a product from the power cord or any moving part. Always use the hanging/mounting bracket or the handles.
- Always avoid eye or skin exposure to direct or scattered light from this product.
- Lasers can be hazardous and have unique safety considerations. Permanent eye injury and blindness is possible if lasers are used incorrectly. Pay close attention to each safety REMARK and WARNING statement in this user manual. Read all instructions carefully BEFORE operating this device.
- Never intentionally expose yourself or others to direct laser light.
- This laser product can potentially cause instant eye injury or blindness if laser light directly strikes the eyes.
- It is illegal and dangerous to shine this laser into audience areas, where the audience or other personnel could get direct laser beams or bright reflections into their eyes.
- It is a US Federal offense to shine any laser at aircraft.
- **No service allowed by customer. There are no user serviceable parts inside the unit. Do not attempt any repairs yourself.**
- **Service is only to be handled by the factory or authorized factory trained technicians.**
- **Product is not to be modified by the customer.**
- **Caution – use of controls or adjustments or performance of procedures other than those specified herein may result in hazardous radiation exposure.**

LASER AND SAFETY NOTES

STOP AND READ ALL THE LASER SAFETY NOTES BELOW

Laser Light is different from any other light sources with which you may be familiar. The light from this product can cause eye and skin injury if not set up and used properly. Laser light is thousands of times more concentrated than light from any other kind of light source. This concentration of light can cause instant eye injuries, primarily by burning the retina (the light sensitive portion at the back of the eye). Even if you cannot feel “heat” from laser beam, it can still potentially injure or blind you or your audience. Even very small amounts of laser light are potentially hazardous even at long distances. Laser eye injuries can happen quicker than you can blink. It is incorrect to think that because these laser entertainment products use high speed scanned laser beams, that an individual laser beam is safe for eye exposure. It is also incorrect to assume that because the laser light is moving, it is safe. This is not true.

Since eye injuries can occur instantly, it is critical to prevent the possibility of any direct eye exposure. It is not legal to aim this laser projector into areas where people can be exposed. This is true even if it is aimed below people’s faces, such as on a dance floor.

- Do not operate the laser without first reading and understanding all safety and technical data in this manual.
- Always set up and install all laser effects so that all laser light is at least 3 metres (9.8 feet) above the floor on which people can stand. See the “Proper Usage” section later in this manual.
- After set up, and prior to public use, test the laser to ensure proper function. Do not use if any defect is detected.
- Laser Light - Avoid Eye or Skin Exposure to Direct or Scattered Light.
- Do not point lasers at people or animals.
- Never look into the laser aperture or laser beams.
- Do not point lasers in areas where people can potentially be exposed, such as uncontrolled balconies, etc.
- Do not point lasers at highly reflective surfaces, such as windows, mirrors and shiny metal objects. Even laser reflections can be hazardous.
- Never point a laser at aircraft, as this is a US Federal Offense.
- Never point un-terminated laser beams into the sky.
- Do not expose the output optic (aperture) to cleaning chemicals.
- Do not use the laser if the housing is damaged, open, or if the optics appear damaged in any way.
- Never leave this device running unattended.
- In the United States, this laser product may not be purchased, sold, rented, leased or loaned for use unless the recipient possesses a valid Class 4 laser light show variance from the US FDA CDRH.
- This product must always be operated by a skilled and well-trained operator who is familiar with the valid Class 4 laser light show variance from the CDRH as stated above.
- The legal requirements for using laser entertainment products vary from country to country. The user is responsible for the legal requirements at the location/country of use.
- Always use appropriate lightning safety cables when hanging this projector overhead.

LASER EMISSION DATA

- **Class 4 Laser Projector - Avoid Eye and Skin Exposure to Direct or Scattered Light!**
- **This Laser Product is designated as Class 4 during all procedures of operation.**
- Further guidelines and safety programs for safe use of lasers can be found in the ANSI Z136.1 Standard “For Safe Use of Lasers”, available from the Laser Institute of America: www.laserinstitute.org. Many local governments, corporations, agencies, military and others, require all lasers to be used under the guidelines of ANSI Z136.1.

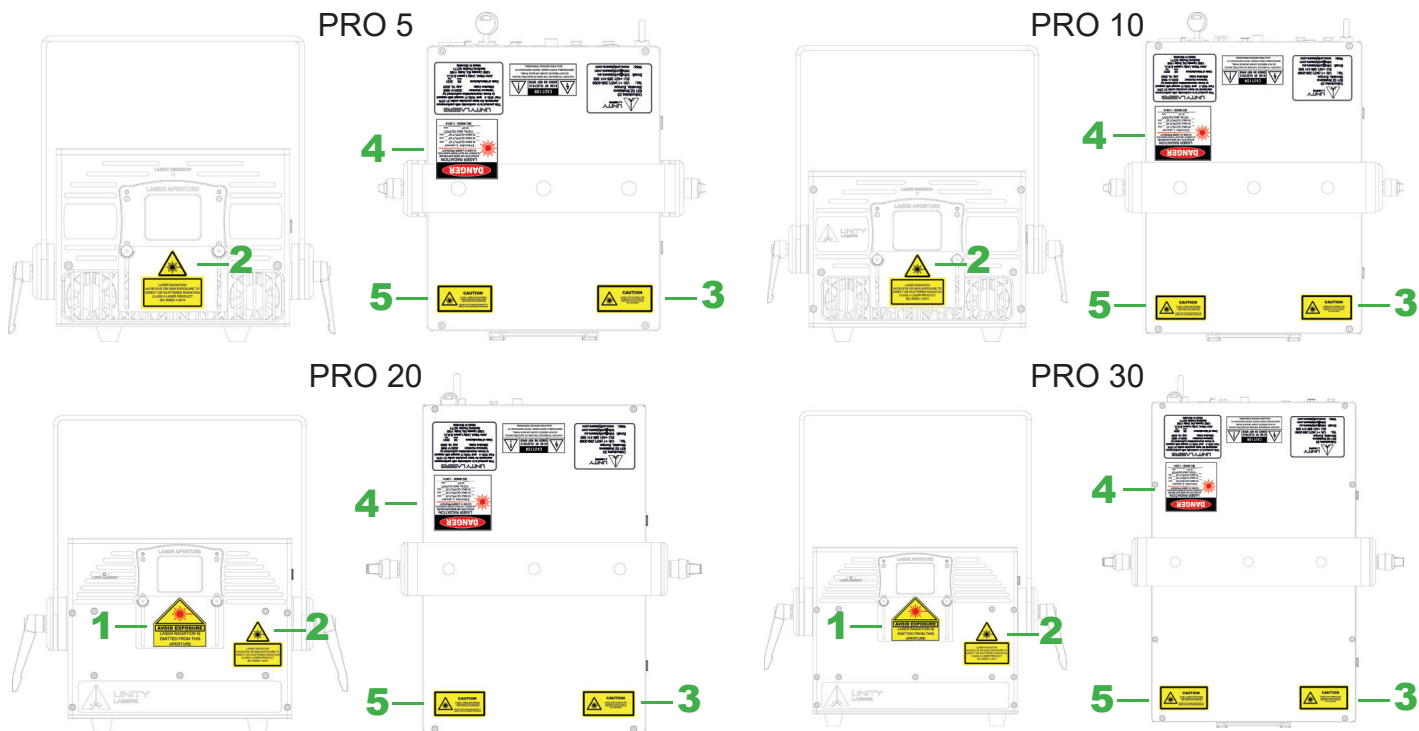
UNITY Lasers s.r.o.

- Laser Classification Class 4
- Red Laser Medium AlGaInP, 639 nm, depending on model
- Green Laser Medium InGaN, 520-525 nm, depending on model
- Blue Laser Medium InGaN, 445 nm to 465 nm depending on model
- Beam Diameter <10 mm at aperture
- Divergence (each beam) <2 mrad
- Maximum total output power 5 – 30 W, depending on model

LASER COMPLIANCE STATEMENT

- This laser product complies with FDA performance standards for laser products except for deviations pursuant to Laser Notice No. 56, dated May 8, 2019. This laser device is classified as a Class 4 demonstration laser product.
- No maintenance is required to keep this product in compliance with laser performance standards.

PRODUCT SAFETY LABEL LOCATION



FRONT PANEL

1. Aperture Label
2. Hazard Warning Symbol

TOP PANEL

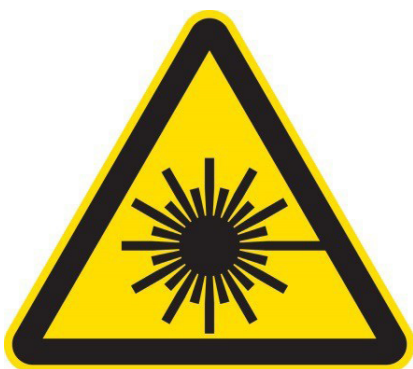
3. Aircraft Warning Label
4. Logotype Danger Label
5. Interlocked Housing Label (duplicate label is located inside the laser projector and is visible when the top cover is removed)

See next page for large reproductions of the product labels. All these labels must be intact and legible prior to using the projector.

PRODUCT SAFETY LABELS



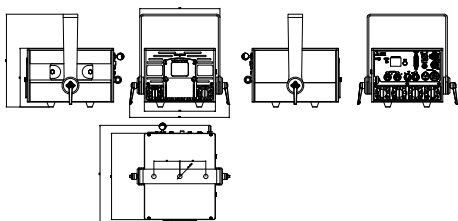
Logotype Danger Label



Hazard Warning Symbol



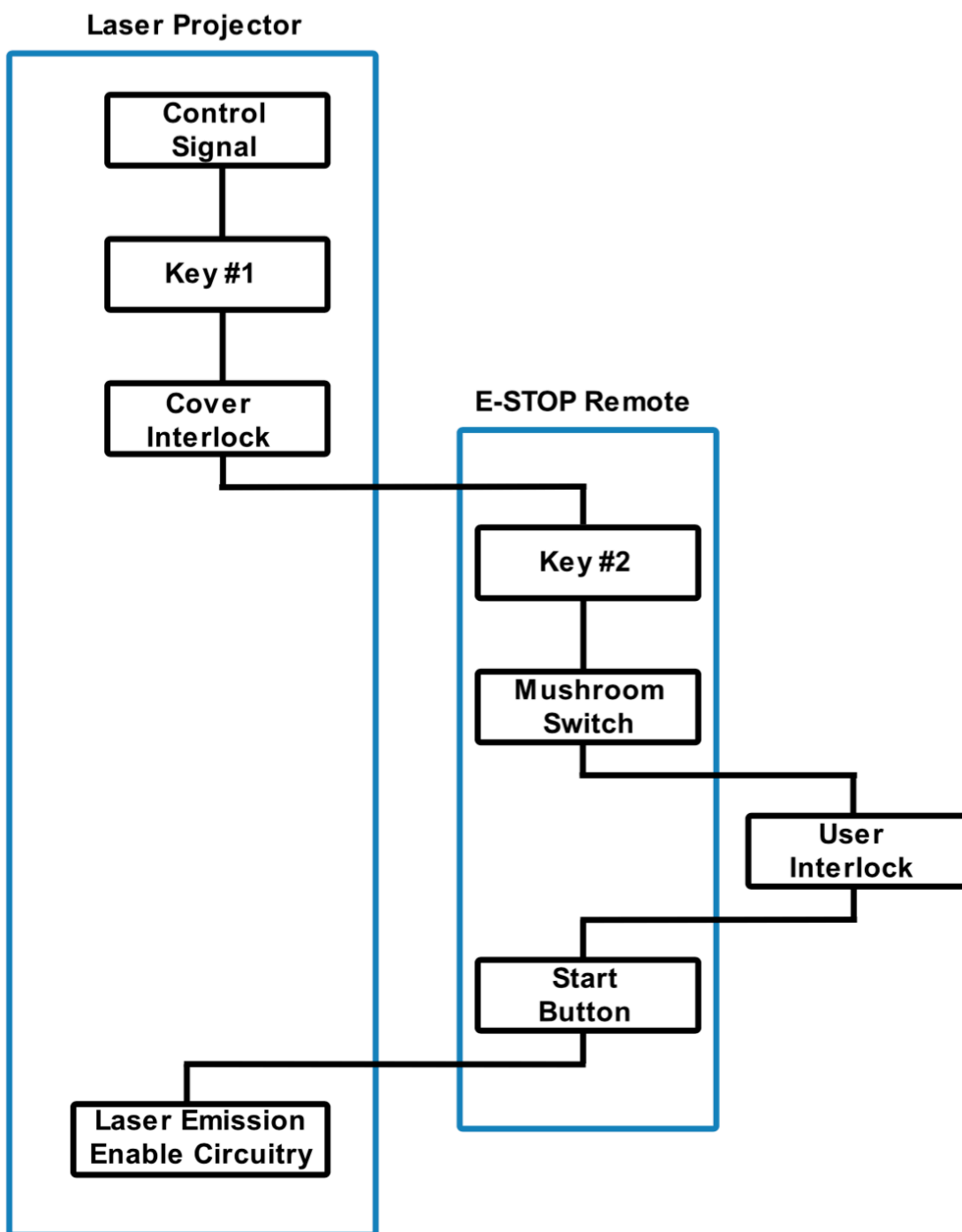
Aircraft Warning Label



Interlocked Housing Label



INTERLOCK CONNECTION DIAGRAM



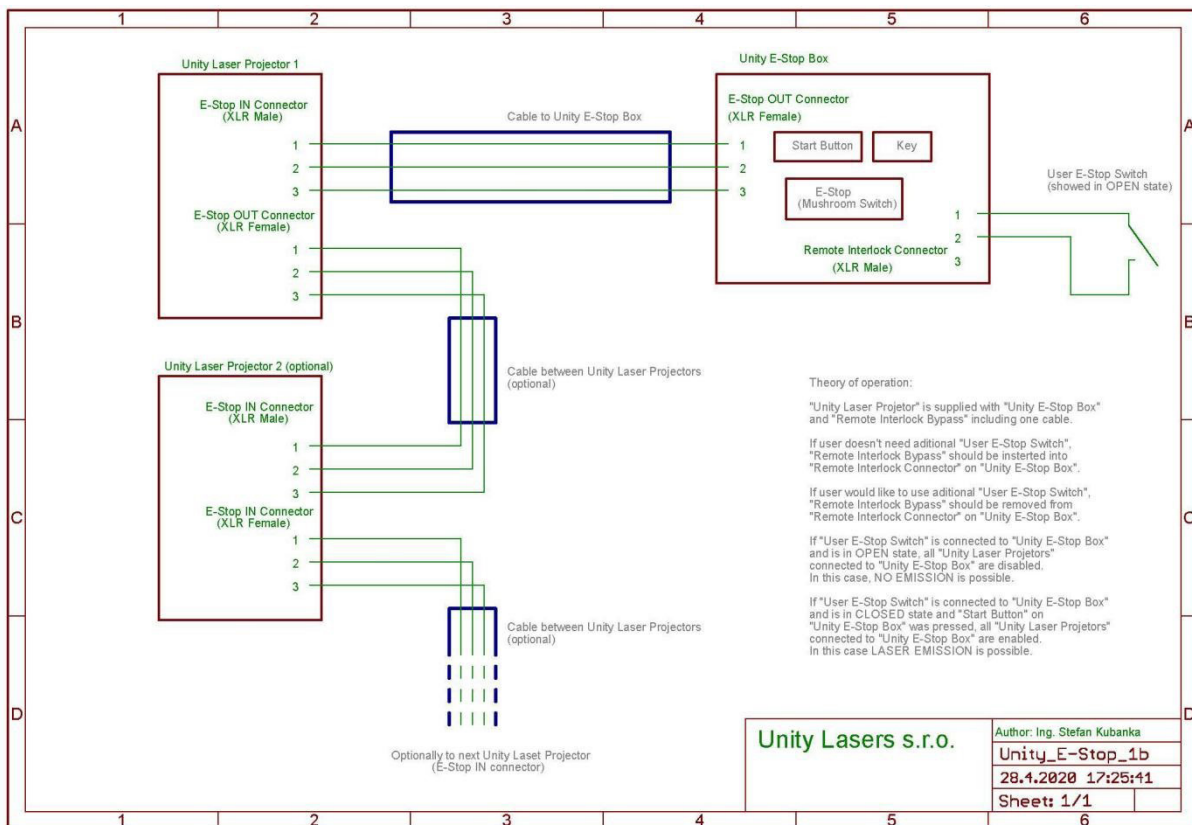
INSTRUCTIONS FOR USING E-STOP SYSTEM

Connect the E-stop box to the 3-pin interlock connector on the rear of the laser projector using a 3-PIN XLR cable.

**** Note that the E-stop box has an available secondary interlock port. The secondary port is to be used to interface a secondary interlock device (e.x. door switch or pressure sensitive step pad). If a secondary interlock device is NOT used then the secondary port must have the bypass shunt plug inserted.**



The diagram below outlines the pinout configuration for the 3-pin connection from E-STOP box to the rear of the projector.



THEORY OF OPERATION

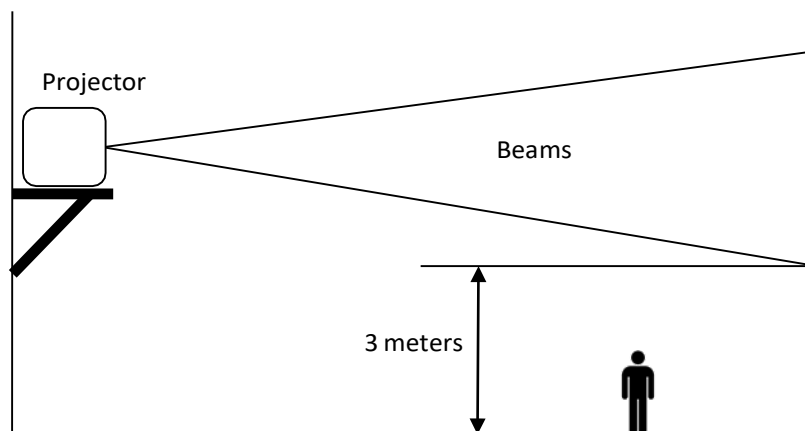
“UNITY Laser projector” is supplied with “E-Stop Box” and “Remote Interlock Bypass” including one cable. If user doesn't need additional “User E-Stop Switch”, “Remote Interlock Bypass” should be inserted into “Remote Interlock Connector” on “E-Stop Box”. If the user would like to use additional “User E-Stop Switch”, “Remote Interlock Bypass” should be removed from “User E-Stop Connector” on “E-Stop Box”. If the „User E-Stop switch“ is used, then laser emission is ONLY possible, when it is in CLOSED state, and also all other safety features are satisfied (e.g. mushroom switch, keyswitches, scanfail safety, ...)

PROPER USAGE

This product is for overhead mounting only. For safety purposes, this projector should be mounted on steady elevated platforms or sturdy overhead supports using suitable hanging clamps. In all cases, you must use safety cables.

International laser safety regulations require that the laser products must be operated in the fashion illustrated below, with a minimum of 3 metres (9.8 ft.) of vertical separation between the floor and the lowest laser light vertically. Additionally, 2.5 metres of horizontal separation is required between laser light and the audience or other public spaces.

The audience area can be passively protected by sliding the aperture cover plate upwards and fixing it in proper position by the two thumb screws.



RIGGING

- Be sure that the structure onto which you are mounting this product can support its weight.
- Mount the product securely. You can do this with a screw, a nut, and a bolt. You may also use a mounting clamp if rigging this product onto a truss. The U-shaped support bracket has three mounting holes which may be used to secure the clamps to the projector.
- When mounting this product overhead, always use a safety cable.
- Always consider ease of access to the unit before deciding on a location for this product.

Caution – use of controls or adjustments or performance of procedures other than those specified herein may result in hazardous radiation exposure.

This Laser Product is designated as Class 4 during all procedures of operation.

REMINDER: In the United States, this laser product may not be purchased, sold, rented, leased or loaned for use unless the recipient possesses a valid Class 4 laser light show variance from the US FDA CDRH.

OPERATION

INSTRUCTIONS FOR POWERING ON THE LASER SYSTEM

1. Connect power cable and E-stop.
2. Connect the 3-pin Interlock cable between the E-stop box and projector, pull up the red mushroom switch and turn on the key switch. Press the start button. Confirm secondary E-stop port has either the bypass plug installed or a secondary interlock device attached.
3. Connect the DB25 ILDA cable(s) to the projector. Then connect to any software box (for example Pangolin QuickShow FB3 or FB4 hardware), and then select the pattern on software. Notice; please choose “Allow laser output” in software.

See the next page for **demonstration photos**.

1. Connect the system



A: To control the system with an external signal such as Ethernet or ILDA, plug the corresponding cable into its designated connector at the back of the unit.



B: Connect the Emergency STOP Remote to the socket labelled as REMOTE INPUT with a supplied 3-pin XLR cable.



C: Insert the Remote Interlock Bypass to the E-STOP Remote to disable the interlock. (USA only)



D: Use supplied Neutrik powerCON power cable to connect the laser system to a main power supply using the input connector.

2. Insert safety keys



A: Turn the laser system key to ON position



B: Turn the E-STOP Remote key to ON position.

3. Disable the Interlock



A: Release the E-STOP button by pulling it upwards.



B: Press the START button on the E-STOP Remote.



4. After the Emission Delay Period, the laser projector will be ready to start the emission.

INSTRUCTIONS FOR TURNING OFF THE LASER SYSTEM

1. Turn off the key switch; and deactivate via the red mushroom switch on the E-stop box. You can remove the 3-pin Interlock too, if the laser will be kept for no use. (We recommend having a professional operator to keep the keys and 3-pin Interlock switch.)
2. Turn off the power to the projector via the power switch.

SAFETY TESTS

E-STOP FUNCTION

- With the projector operating and projecting laser light, press the red E-stop switch. The projector must shut off immediately.
- Fully extend the red E-stop switch, until a yellow collar is visible on the switch system. The projector must not emit any laser light.
- Press the start button on E-stop box. The projector should now re-start and begin emitting laser light.
- Verify that the emission indicator is now lit.

INTERLOCK RESET FUNCTION (POWER)

- With the projector operating and projecting laser light, unplug the AC power cable. The projector must shut off immediately.
- Plug the power cable back in. The projector must not emit any laser light.
- Press the start button on the E-stop box. The projector should now re-start and begin emitting laser light.
- Verify that the emission indicator is now lit.

KEY SWITCH FUNCTION

- With the projector operating and projecting laser light, turn the key switch on the remote E-stop control unit to off. The projector must shut off immediately.
- Turn the key switch back to on. The projector must not emit any laser light.
- Press the start button on the E-stop box. The projector should now re-start and begin emitting laser light.
- Verify that the emission indicator is now lit.

INTERLOCK RESET FUNCTION (REMOTE INTERLOCK BYPASS)

- With the projector operating and projecting laser light, remove Remote Interlock Bypass. The projector must shut off immediately.
- Plug the Remote Interlock Bypass back in. The projector must not emit any laser light.
- Press the start button on the E-stop box. The projector should now re-start and begin emitting laser light.
- Verify that the emission indicator is now lit.

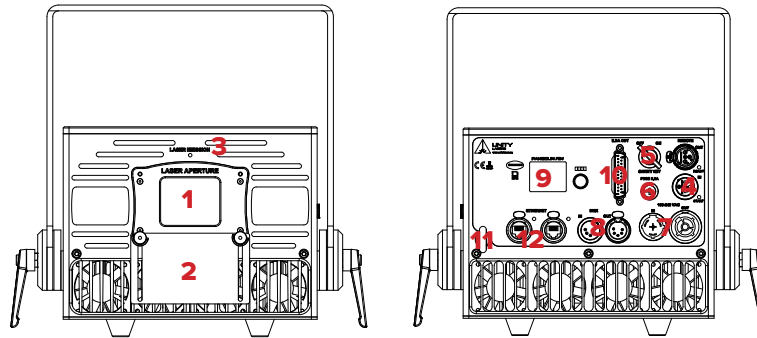
If any of the above tests fail, the projector must be taken out of service and returned to the manufacturer for repair.

MODEL SPECIFICATION

Product specification (Elite 5 PRO)

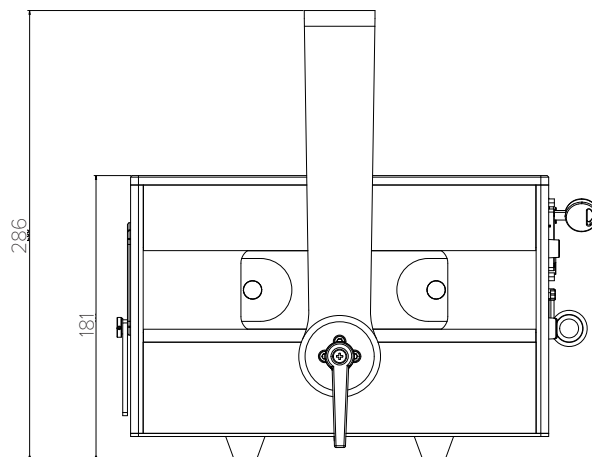
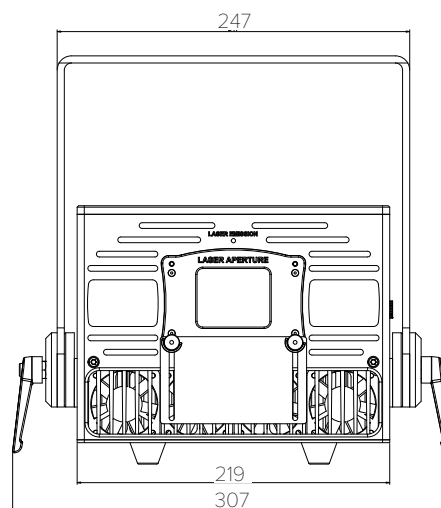
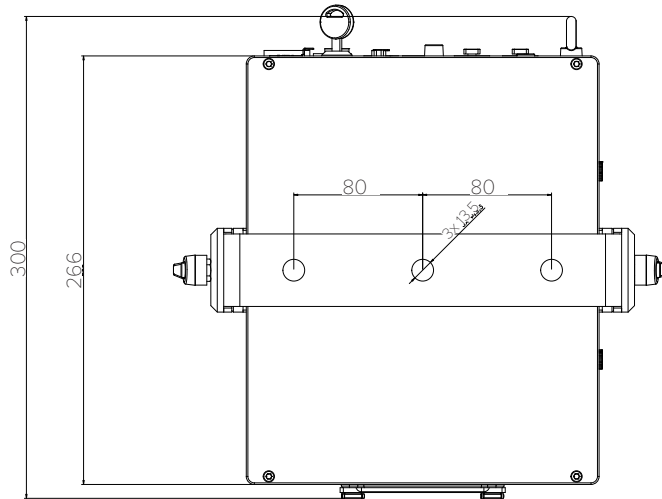
Type of laser:	full-colour, semiconductor diode laser system
Guaranteed optical output:	> 5,000mW
Suitable for:	small to medium indoor / outdoor laser shows and laser graphic displays
Control signal:	Pangolin FB4 [Ethernet, ArtNet, DMX, ILDA PC, Lighting Console, Auto Mode]
Scanning system:	30,000 points per second @ 8°
Scan angle:	45°
Safety:	fully complies with the latest EN 60825-1, and FDA regulations
Weight:	8 kg
Package includes:	Power cord, 5M CAT5 cable, E-STOP box with 10M cable, Set of 4 safety keys, 3-pin interlock bypass plug, User guide.
R G B [mw]:	1480 2000 1600
Beam size [mm]:	2 x 4
Beam divergence:	<1.0mrad [full angle]
Modulation:	Analog > 100kHz
Power requirements:	100-240V/50-60Hz
Consumption:	max. 150W
Operation temperature:	10-40 °C
Ingress rating:	IP 20
System features:	All the adjustments such as power output of each colour, X & Y axes invert, X & Y size and position, etc. Scanning system protection, daisy chain of emergency STOP signal for multiple system “one-hit” operation.
Laser safety features:	Keyed interlock, emission delay, magnetic interlock, scan-fail safety, mechanical shutter, adjustable aperture masking plate.
Notice:	*Due to Advanced Optical Correction technology used in our laser systems the optical power output of each laser colour within the system may slightly differ from the specification of respective laser module(s) installed. This does not affect the total guaranteed power output.
Dimensions [mm]:	Length: 300 Width: 307 Height: 181

Front & Rear panel view (Elite 5 PRO)



NO.	Name	Function
1.	Laser Aperture	Laser output, do not look directly into this aperture.
2.	Aperture masking plate	Can be moved up and down when two locking bolts are loosened.
3.	Laser emission	When this indicator is lit up the laser system is ready to emit the laser radiation as soon as it receives instructions from control software.
4.	3-Pin Interlock	Laser output is available only when the interlock is connected. It could be used to connect a laser emergency switch.
5.	Key switch	Turn the key switch ON to allow laser output.
6.	Fuse	Current rating 3.15A, slow acting type.
7.	Power in & out	AC100-240V power input and output sockets. With output feature you can connect the device to one another using the input and output sockets. They must be the same fixtures. DO NOT mix fixtures.
8.	DMX Input/Though	Use these ports to connect DMX control signal or to daisy chain the DMX signal between multiple laser display systems.
9.	FB4 laser control interface	The inbuilt control interface allows you to control the laser via Ethernet and DMX/ArtNet, but it also handles all the basic settings of the laser system (master size and position, method of control, colour settings etc.). All of these settings can be accessed through the menu using the endless rotary knob and once saved they are stored on included mini SD card.
10.	ILDA OUT	ILDA compatible output port with signals from the projector's FB4 controller.
11.	Safety eyelet	Use this together with appropriate safety wire to secure the system against unexpected fall.
12.	Ethernet	Use this to control laser system by PC.

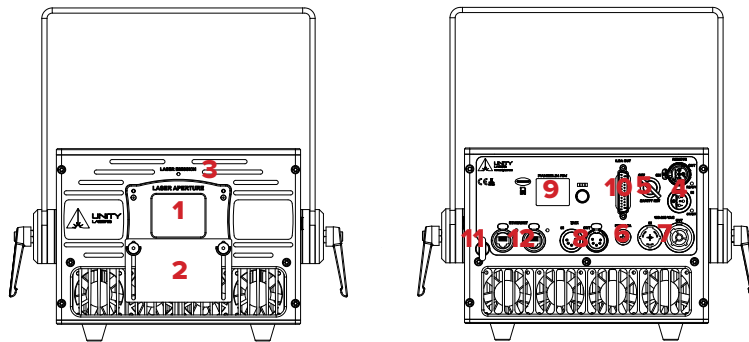
Dimension details (Elite 5 PRO)



Product specification (Elite 10 PRO)

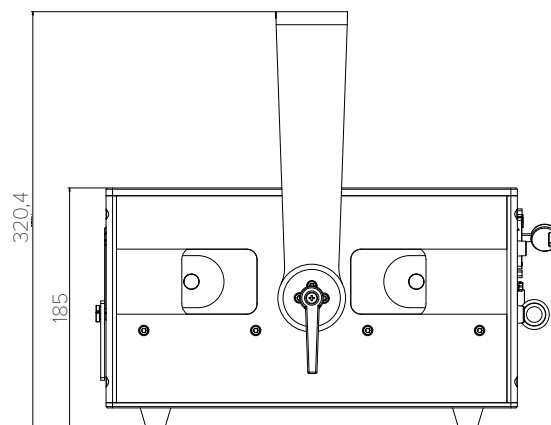
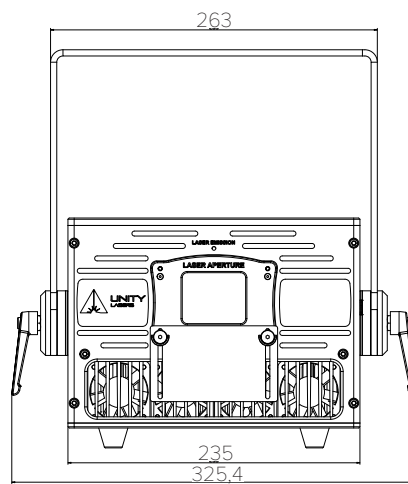
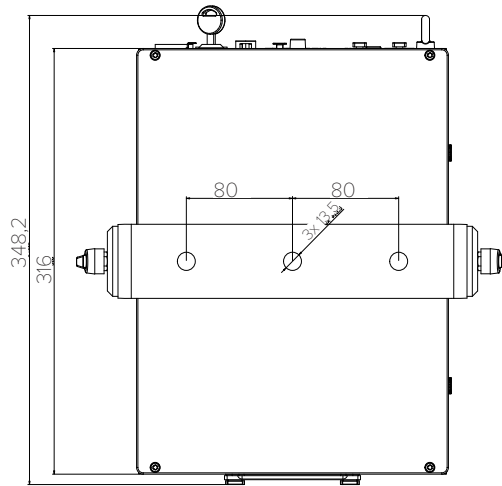
Type of laser:	full-colour, semiconductor diode laser system
Guaranteed optical output:	≥ 11,000mW
Suitable for:	small to medium indoor / outdoor laser shows and laser graphic displays
Control signal:	Pangolin FB4 [Ethernet, ArtNet, DMX, ILDA PC, Lighting Console, Auto Mode]
Scanning system:	30,000 points per second @ 8°
Scan angle:	45°
Safety:	fully complies with the latest EN 60825-1, and FDA regulations
Weight:	12.5 kg
Package includes:	Power cord, 5M CAT5 cable, E-STOP box with 10M cable, Set of 4 safety keys, 3-pin interlock bypass plug, User guide.
R G B [mw]:	3000 4000 4000
Beam size [mm]:	2 x 4
Beam divergence:	<1.0mrad [full angle]
Modulation:	Analog > 100kHz
Power requirements:	100-240V/50-60Hz
Consumption:	max. 350W
Operation temperature:	10-40 °C
Ingress rating:	IP 20
System features:	All the basic system settings and adjustments such as power output adjustments for each colour, X & Y axes invert, X & Y size and position, etc. are managed via built-in FB4 control interface, internal fuse.
Laser safety features:	Keyed interlock, emission delay, magnetic interlock, scan-fail safety, mechanical shutter, adjustable aperture masking plate.
Notice:	*Due to Advanced Optical Correction technology used in our laser systems the optical power output of each laser colour within the system may slightly differ from the specification of respective laser module(s) installed. This does not affect the total guaranteed power output.
Dimensions [mm]:	Length: 349 Width: 326 Height: 185

Front & Rear panel view (Elite 10 PRO)



NO.	Name	Function
1.	Laser Aperture	Laser output, do not look directly into this aperture.
2.	Aperture masking plate	Can be moved up and down when two locking bolts are loosened.
3.	Laser emission	When this indicator is lit up the laser system is ready to emit the laser radiation as soon as it receives instructions from control software.
4.	3-Pin Interlock	Laser output is available only when the interlock is connected. It could be used to connect a laser emergency switch.
5.	Key switch / Power ON	Turn the key switch ON to allow laser output.
6.	Fuse	Current rating 3.15A, slow acting type.
7.	Power in & out	AC100-240V power input and output sockets. With output feature you can connect the device to one another using the input and output sockets. They must be the same fixtures. DO NOT mix fixtures.
8.	DMX Input/Though	Use these ports to connect DMX control signal or to daisy chain the DMX signal between multiple laser display systems.
9.	FB4 laser control interface	The inbuilt control interface allows you to control the laser via Ethernet and DMX/ArtNet, but it also handles all the basic settings of the laser system (master size and position, method of control, colour settings etc.). All of these settings can be accessed through the menu using the endless rotary knob and once saved they are stored on included mini SD card.
10.	ILDA OUT	ILDA compatible output port with signals from the projector's FB4 controller.
11.	Safety eyelet	Use this together with appropriate safety wire to secure the system against unexpected fall.
12.	Ethernet	Use this to control laser system by PC.

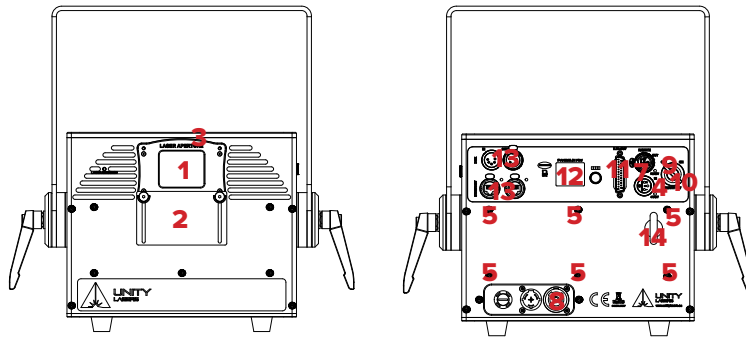
Dimension details (Elite 10 PRO)



Product specification (Elite 20 PRO)

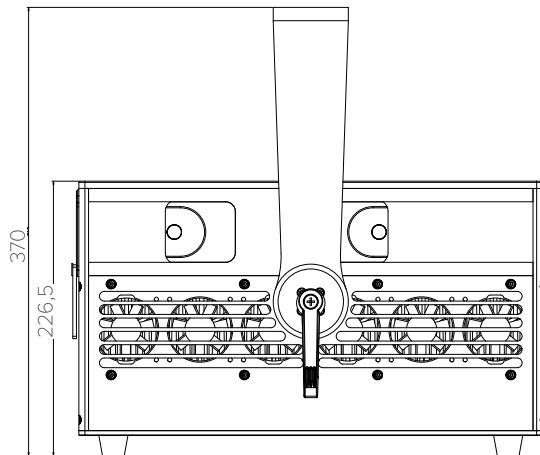
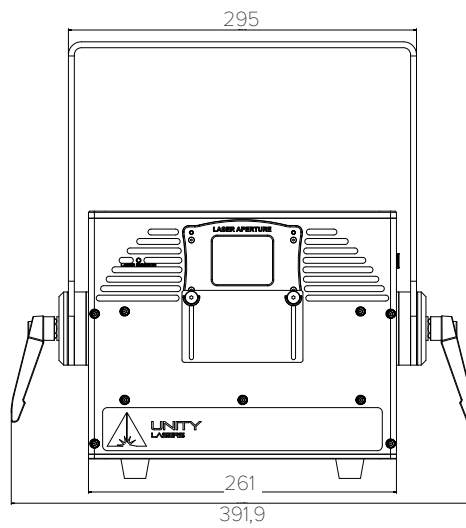
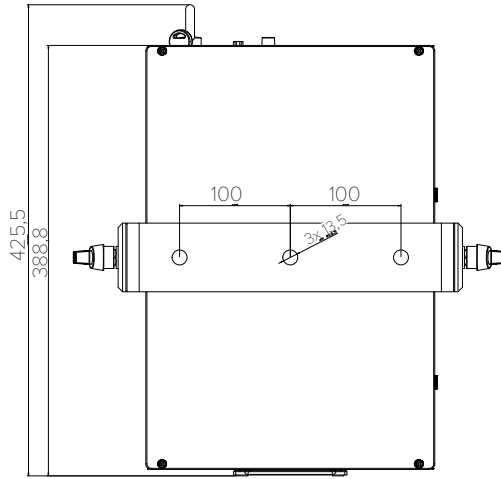
Type of laser:	full-colour, semiconductor diode laser system
Guaranteed optical output:	22,000mW
Suitable for:	medium to large sized indoor / outdoor laser shows and laser graphicdisplays
Control signal:	Pangolin FB4 [Ethernet, ArtNet, DMX, ILDA PC, Lighting Console, Auto Mode]
Scanning system:	30,000 points per second @ 8°
Scan angle:	45°
Safety:	fully complies with the latest EN 60825-1, and FDA regulations
Weight:	23.4 kg
Package includes:	Power cord, 5M CAT5 cable, E-STOP box with 10M cable, Set of 4 safety keys, 3-pin interlock bypass plug, User guide.
R G B [mw]:	6000 8000 8000
Beam size [mm]:	6 x 6
Beam divergence:	<1.0mrad [full angle]
Modulation:	Analog > 100kHz
Power requirements:	100-240V/50-60Hz
Consumption:	max. 1200W
Operation temperature:	10-40 °C
Ingress rating:	IP 20
System features:	All the adjustments such as power output of each color, X & Y axes invert, X & Y size and position, etc. Scanning system protection, daisy chain of emergency STOP signal for multiple system “one-hit”operation, internal fuse.
Laser safety features:	Keyed interlock, emission delay, magnetic interlock, scan-fail safety, mechanical shutter, adjustable aperture masking plate.
Notice:	*Due to Advanced Optical Correction technology used in our laser systems the optical power output of each laser colour within the system may slightly differ from the specification of respective laser module(s) installed. This does not affect the total guaranteed power output.
Dimensions [mm]:	Length: 426 Width: 392 Height: 227

Front & Rear panel view (Elite 20 PRO)



NO.	Name	Function
1.	Laser Aperture	Laser output, do not look directly into this aperture.
2.	Aperture masking plate	Can be moved up and down when two locking bolts are loosened.
3.	Attachment bracket	The attachment bracket spins 360 degrees around the laser body whilst it can be locked in desired position by two small locking handles on sides.
4.	Laser emission	When this indicator is lit up the laser system is ready to emit the laser radiation as soon as it receives instructions from control software.
5.	Cover bolts	To access the optical compartment of the laser system undo 18 button hex bolts and carefully remove the cover.
6.	RGB colour alignment mechanism	To access the colour alignment mechanism undo 2 silver bolts and remove the cover.
7.	3-Pin Interlock	Laser output is available only when the interlock is connected. It could be used to connect a laser emergency switch.
8.	Power in & out	AC100-240V power input and output sockets. With output feature you can connect the device to one another using the input and output sockets. They must be the same fixtures. DO NOT mix fixtures.
9.	Power ON/OFF	Power on/off
10.	Key switch	Turn the key switch ON to allow laser output.
11.	ILDA OUT	ILDA compatible output port with signals from the projector's FB4 controller.
12.	FB4 laser control interface	The inbuilt control interface allows you to control the laser via Ethernet and DMX/ArtNet, but it also handles all the basic settings of the laser system (master size and position, method of control, colour settings etc.). All of these settings can be accessed through the menu using the endless rotary knob and once saved they are stored on included mini SD card.
13.	DMX Input/Through	Use these ports to connect DMX control signal or to daisy chain the DMX signal between multiple laser display systems.
14.	Safety eyelet	Use this together with appropriate safety wire to secure the system against unexpected fall.

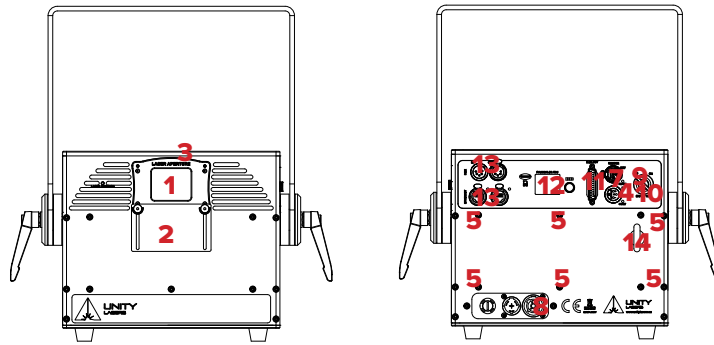
Dimension details (Elite 20 PRO)



Product specification (Elite 30 PRO)

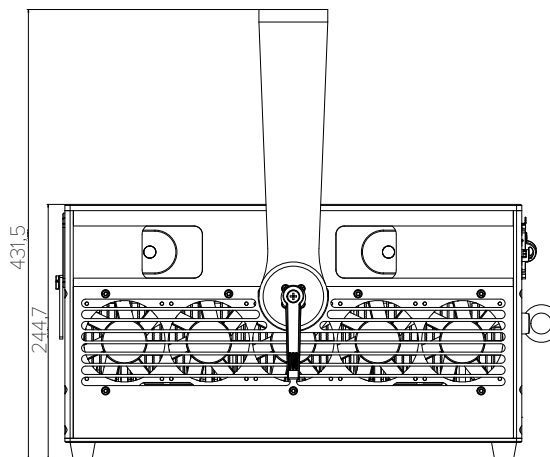
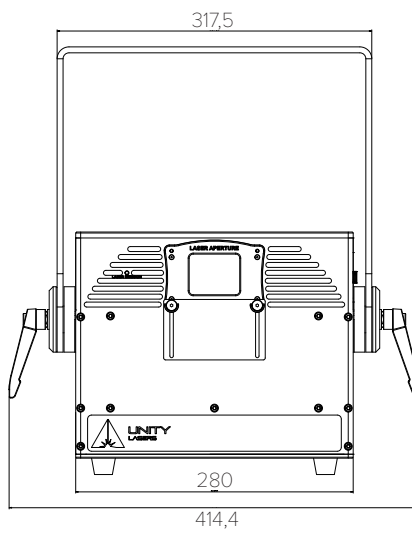
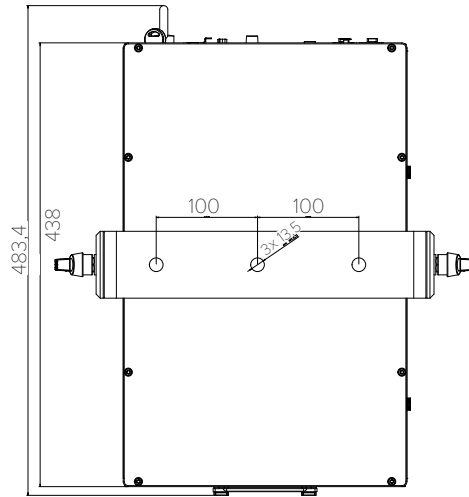
Type of laser:	full-colour, semiconductor diode laser system
Guaranteed optical output:	≥ 33,000mW
Suitable for:	large indoor / medium outdoor laser shows and laser graphic displays
Control signal:	Pangolin FB4 [Ethernet, ArtNet, DMX, ILDA PC, Lighting Console, Auto Mode]
Scanning system:	30,000 points per second @ 8°
Scan angle:	45°
Safety:	fully complies with the latest EN 60825-1, and FDA regulations
Weight:	32 kg
Package includes:	Power cord, 5M CAT5 cable, E-STOP box with 10M cable, Set of 4 safety keys, 3-pin interlock bypass plug, User guide.
R G B [mw]:	9000 12000 12000
Beam size [mm]:	6 x 6
Beam divergence:	<1.0mrad [full angle]
Modulation:	Analog > 100kHz
Power requirements:	100-240V/50-60Hz
Consumption:	max. 1200W
Operation temperature:	10-40 °C
Ingress rating:	IP 20
System features:	All the adjustments such as power output of each color, X & Y axes invert, X & Y size and position, etc. Scanning system protection, daisy chain of emergency STOP signal for multiple system “one-hit” operation, internal fuse.
Laser safety features:	Keyed interlock, emission delay, magnetic interlock, scan-fail safety, mechanical shutter, adjustable aperture masking plate.
Notice:	*Due to Advanced Optical Correction technology used in our laser systems the optical power output of each laser colour within the system may slightly differ from the specification of respective laser module(s) installed. This does not affect the total guaranteed power output.
Dimensions [mm]:	Length: 484 Width: 415 Height: 245

Front & Rear panel view (Elite 30 PRO)

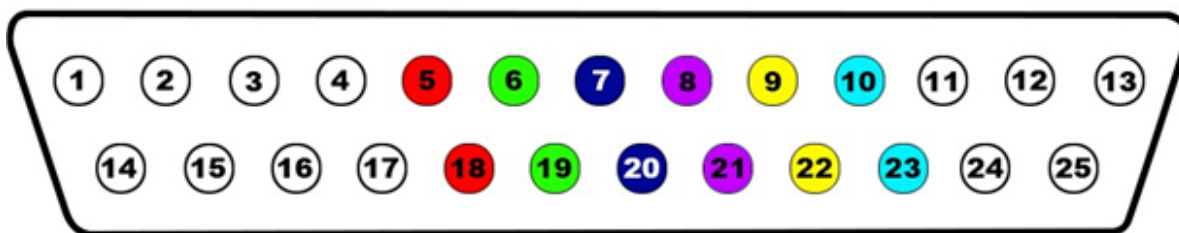


NO.	Name	Function
1.	Laser Aperture	Laser output, do not look directly into this aperture.
2.	Aperture masking plate	Can be moved up and down when two locking bolts are loosened.
3.	Attachment bracket	The attachment bracket spins 360 degrees around the laser body whilst it can be locked in desired position by two small locking handles on sides.
4.	Laser emission	When this indicator is lit up the laser system is ready to emit the laser radiation as soon as it receives instructions from control software.
5.	Cover bolts	To access the optical compartment of the laser system undo 18 button hex bolts and carefully remove the cover.
6.	RGB colour alignment mechanism	To access the colour alignment mechanism undo 2 silver bolts and remove the cover.
7.	3-Pin Interlock	Laser output is available only when the interlock is connected. It could be used to connect a laser emergency switch.
8.	Power in & out	AC100-240V power input and output sockets. With output feature you can connect the device to one another using the input and output sockets. They must be the same fixtures. DO NOT mix fixtures.
9.	Power ON/OFF	Power on/off
10.	Key switch	Turn the key switch ON to allow laser output.
11.	DB25 OUT	ILDA compatible output port with signals from the projector's FB4 controller.
12.	FB4 laser control interface	The inbuilt control interface allows you to control the laser via Ethernet and DMX/ArtNet, but it also handles all the basic settings of the laser system (master size and position, method of control, colour settings etc.). All of these settings can be accessed through the menu using the endless rotary knob and once saved they are stored on included mini SD card.
13.	DMX Input/Through	Use these ports to connect DMX control signal or to daisy chain the DMX signal between multiple laser display systems.
14.	Safety eyelet	Use this together with appropriate safety wire to secure the system against unexpected fall.

Dimension details (Elite 30 PRO)



ILDA PINOUT SPECIFICATION



1.	X +	14.	X -
2.	Y +	15.	Y -
3.	Intensity/Blanking +	16.	Intensity/Blanking -
4.	Interlock A	17.	Interlock B
5.	R +	18.	R -
6.	G +	19.	G -
7.	B +	20.	B -
8.	Deep blue +	21.	Deep blue -
9.	Yellow +	22.	Yellow -
10.	Cyan +	23.	Cyan -
11.	Z +	24.	Z -
12.	Not connected	25.	Ground
13.	Shutter		

TECHNICAL INFORMATION - MAINTENANCE

GENERAL CLEANING INSTRUCTIONS - TO BE DONE BY USER

Due to fog residue, smoke, and dust cleaning the external body of the projector should be carried out periodically to optimize light output. Cleaning frequency depends on the environment in which the fixture operates (I.e. smoke, fog residue, dust, dew). In heavy club use we recommend cleaning on a monthly basis. Periodic cleaning will ensure longevity and crisp output.

- Unplug the product from power.
- Wait until the product is cold.
- Use a soft damp cloth to wipe down the outside projector casing.
- Use compressed air and a brush to wipe down the cooling vents and fan grill(s).
- Clean the glass panel (laser aperture) with glass cleaner and a soft cloth when dirty.
- Gently polish the glass surface until it is free of haze and lint.
- Always be sure to dry all parts completely before plugging the unit back in.

SERVICE

There are no user serviceable parts inside this unit. Do not attempt any repairs yourself; doing so will void your manufacturer's warranty. In the unlikely event your unit may require service, please contact us directly or your local distributor, who will help you with a repair or replacement. We will not accept any liability for any resulting damages caused by the non-observance of this manual or any unauthorized modification to this unit.

