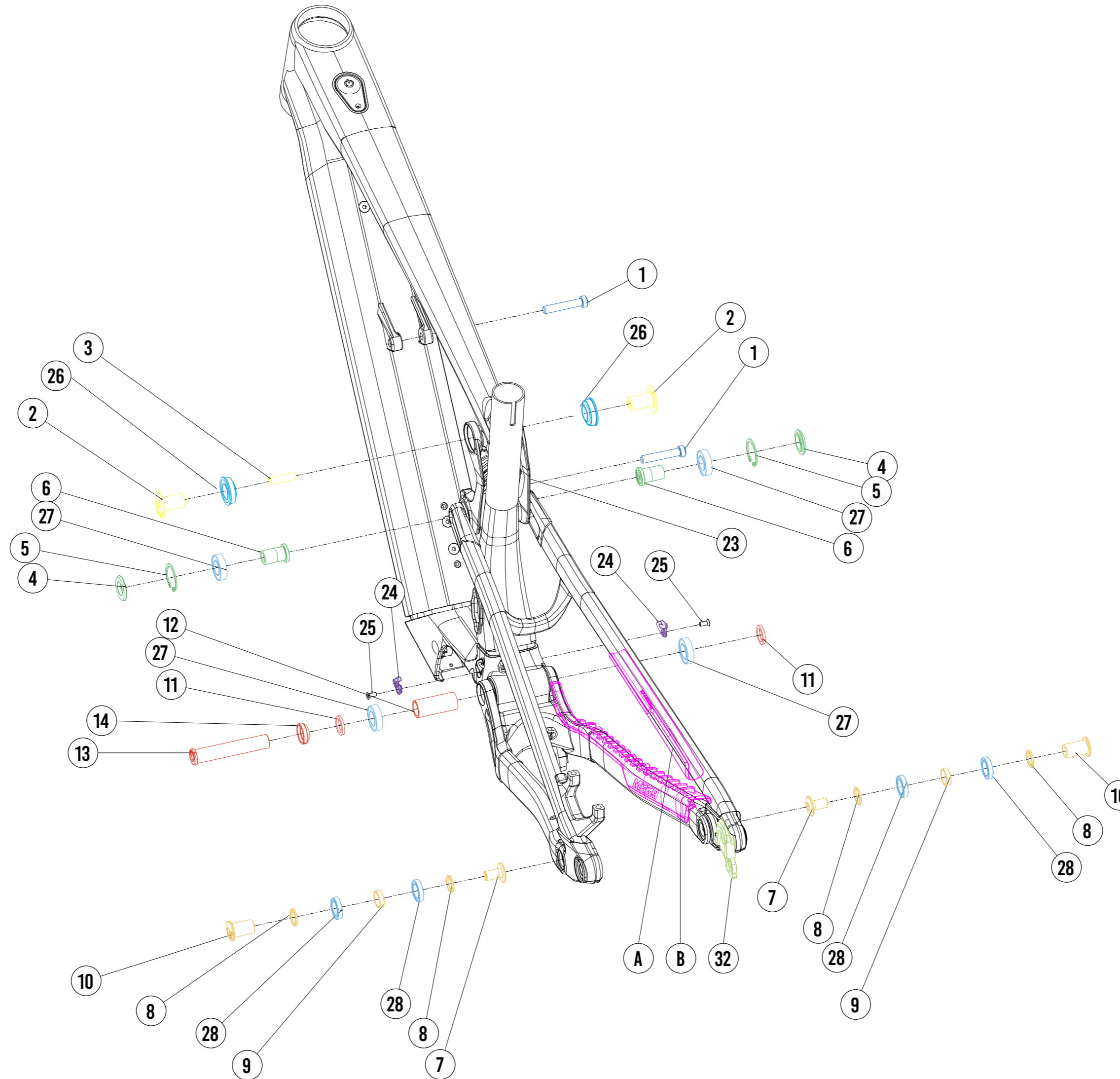


MEGAWATT 297

MATERIAL:	HYDROFORMED 6061-T6 TRIPLE-BUTTED ALUMINIUM
FORK TRAVEL:	170MM
AXLE TO CROWN:	582MM
FORK OFFSET:	44MM
REAR TRAVEL:	170MM
WHEELS SIZE:	FRONT: 29" REAR: 27.5"
MAX TYRE SIZE:	2.6"
RECOMMENDED SHOCK SAG (MEASURED SEATED):	30%
SHOCK SIZE:	230X62.5MM
SHOCK HARDWARE F:	25X8MM
SHOCK HARDWARE R:	30X8MM
SIZING:	S/M/L/XL/XXL
HEADTUBE:	56-66MM TAPERED SEMI-INTEGRATED
HEADSET:	*ZS56-28.6 / ZS66/40 (1.5" TAPERED) OR ZS56-28.6 / ZS66/46 (1.8" TAPERED) REQUIRES CABLE ROUTING THROUGH TOP CAP*
BEARINGS REQUIRED:	4X F6802 LLU MAX, 4X 6902 LLU MAX, 2X F6902 LLU MAX-EA
SEATPOST:	31.6MM (INTERNAL ROUTING FOR DROPPER SEATPOST)
SEAT CLAMP:	34.9MM
MOTOR SYSTEM:	SHIMANO STEPS EP8, 250W, 85NM
BATTERY:	CAN FIT EITHER SHIMANO E8035, 504WH OR SHIMANO E8036, 630WH
REAR HUB:	BOOST 148X12MM
REAR AXLE:	SRAM UDH MAXLE STEALTH M12X1.0 180MM (THREAD LENGTH 13MM)
BRAKE MOUNT:	180MM DIRECT POST
PROTECTION:	3D CONTOURED MOTOR PROTECTOR AND RUBBER FRAME PROTECTION FOR DT/SS/CS/BATTERY DOOR

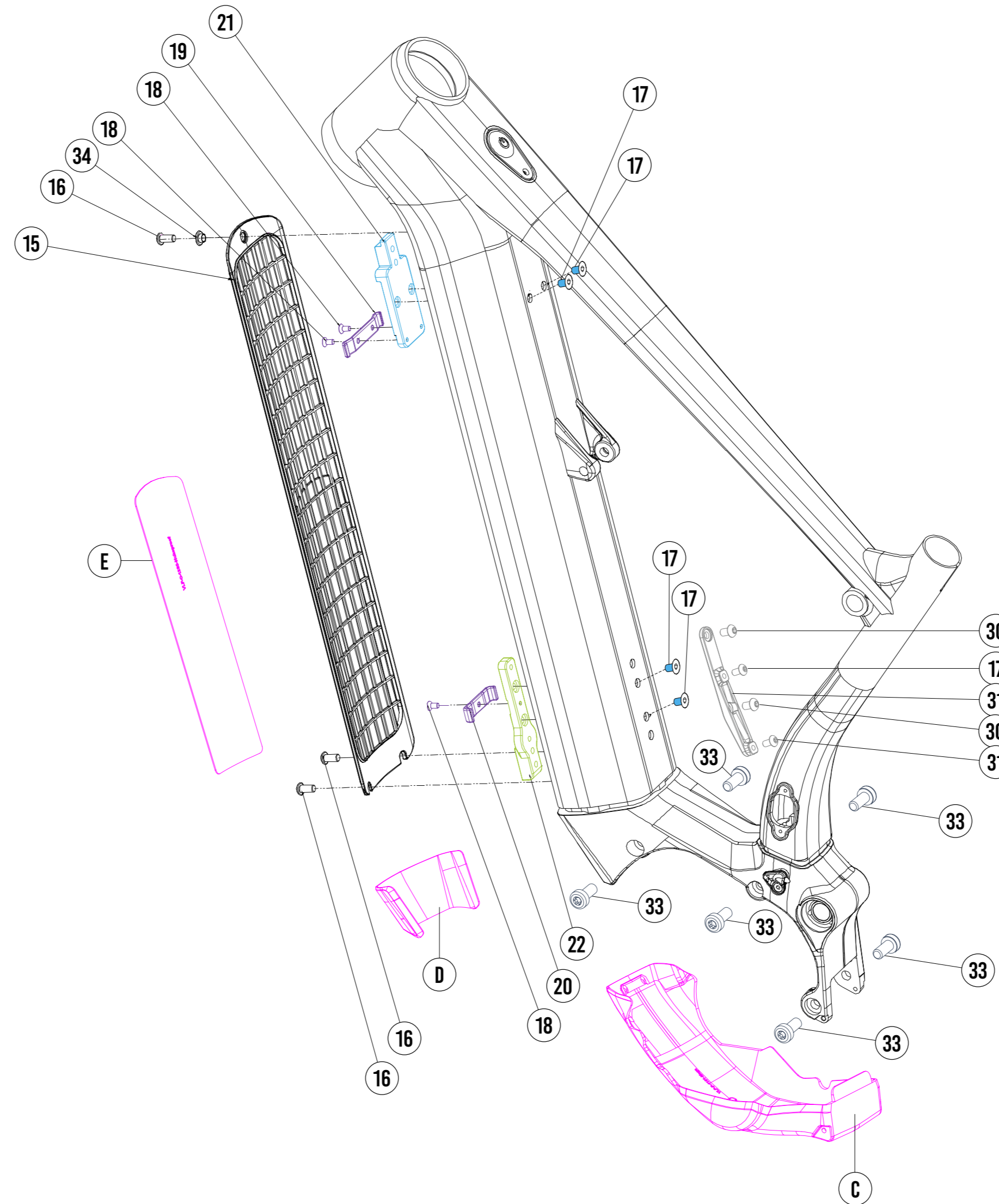


	SHOCK BOLT KIT
	BEARING KIT
	HORST LINK KIT
	MAIN PIVOT KIT
	UPPER SWING LINK KIT
	LOWER SWING LINK KIT
	CABLE GUIDE KIT
	RUBBER FRAME PROTECTION KIT
	HANGER KIT
	BATTERY MOUNT KIT
	WATER BOTTLE MOUNT KIT
	MOTOR MOUNT BOLT KIT

REFERENCE #	PART #	NUKEPROOF PART #	QTY
1	N6C-M8-43.5L	SHOCK BOLT	2
2	N6E-SLA	SWING LINK BOLT	2
3	TB-M8-30L	SWING LINK PIVOT AXLE	1
4	N6E-SWS	SEAT STAY CLEVIS WASHER	2
5	R28	SEAT STAY CLEVIS LOCK RING	2
6	N6E-SLB	SEAT STAY CLEVIS BOLT	2
7	N6E-HLB	HORST LINK BOLT	2
8	ASEE-LWS	HORST LINK WASHER	4
9	VTEA-LWS-19X15X15	HORST LINK BEARING SPACER	2
10	N6E-HLA	HORST LINK PIVOT AXLE	2
11	AE7A-WS 2.5MM	MAIN PIVOT WASHER	2
12	NTR-BSP R2	MAIN PIVOT BEARING SPACER	1
13	VTEA-LBT-83.5	MAIN PIVOT AXLE	1
14	AFDC-CWS	MAIN PIVOT COLLETT WASHER	1
15	VT9B-BTCA	BATTERY DOOR	1
16	M6X12L-R51B	BATTERY DOOR BOLT	3
17	M6X12L-M11B	BATTERY MOUNT BOLT	4
18	M4X8L-M11B	CABLE GUIDE BOLT	3
19	VT9A-CGB-A	UPPER INTERNAL CABLE GUIDE	1
20	VT9A-CGB-B	LOWER INTERNAL CABLE GUIDE	1
21	VT9A-BTH-A	UPPER BATTERY MOUNT	1
22	NP9A-BTH-B-R2	LOWER BATTERY MOUNT	1
23	NP9A-LK	SWING LINK	1
24	FB-SUP-LK121-1	SEAT TUBE CABLE PORT	2
25	M4X10L-M11B	SEAT TUBE CABLE PORT BOLT	2
26	F6902 LLU MAX-EA	UPPER SWING LINK BEARING	2
27	BB 6902 LLU MAX	MAIN PIVOT/SEAT STAY CLEVIS BEARING	4
28	BB F6802 LLU MAX	HORST LINK BEARING	4
29	TK017	WATER BOTTLE ADAPTOR MOUNT	1
30	M5X12MM MAX	WATER BOTTLE ADAPTOR MOUNT BOLTS	2
31	M5X8MM	WATER BOTTLE CAGE MOUNT BOLTS	2
32		UDH HANGER KIT	
33	MB-T40-18L	MOTOR MOUNT BOLTS	6
34	VT9B-BTC-WS	BATTERY DOOR FITTING	1
A	VLF-C-1115	SEAT STAY PROTECTOR	1
B	VLF-C-1131	CHAIN STAY PROTECTOR	1
C	VLF-C-1151	MOTOR PROTECTOR	1
D	VLF-C-1244	DOWN TUBE MID PROTECTOR	1
E	VLF-C-1229	BATTERY DOOR PROTECTOR	

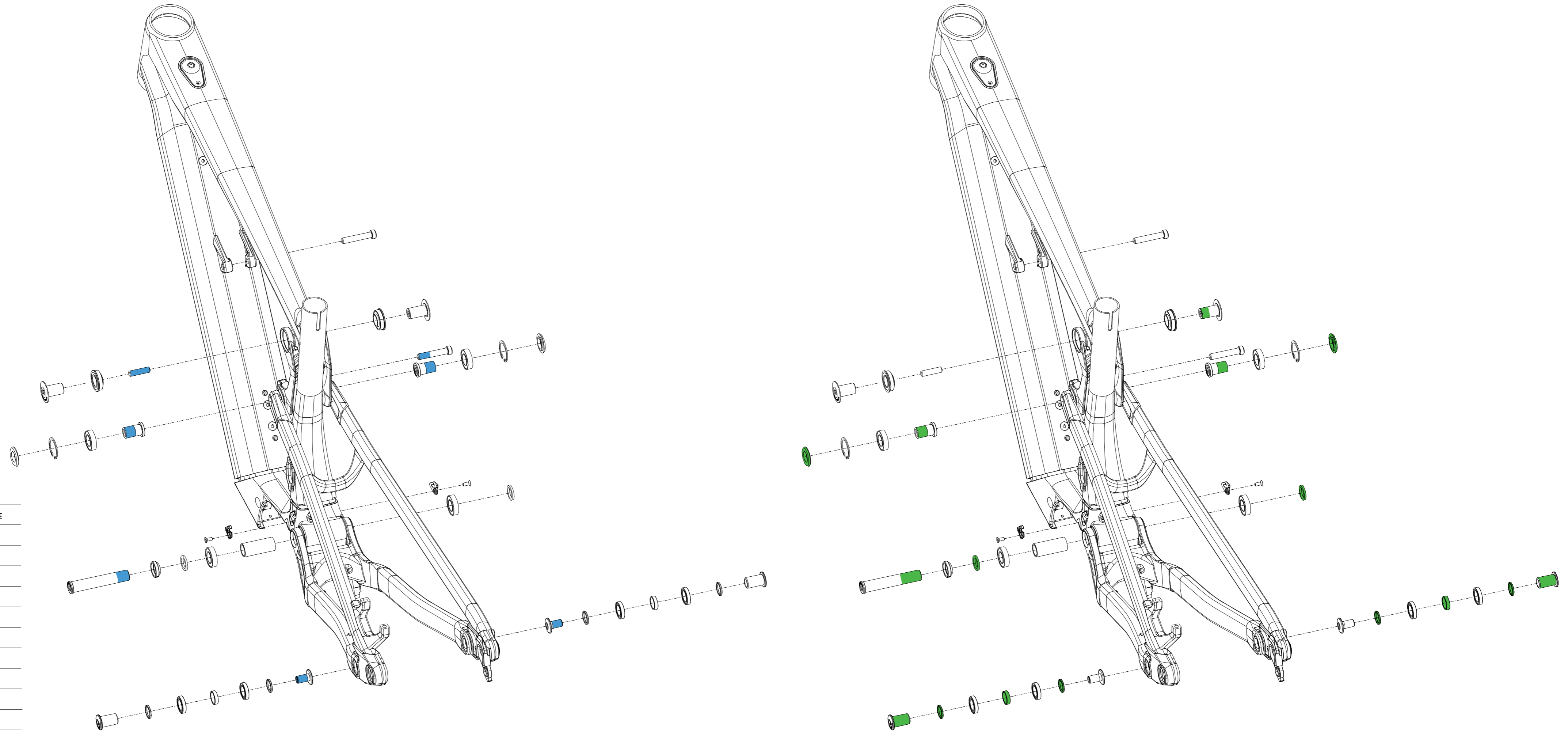
MEGAWATT 297

MATERIAL:	HYDROFORMED 6061-T6 TRIPLE-BUTTED ALUMINIUM
FORK TRAVEL:	170MM
AXLE TO CROWN:	582MM
FORK OFFSET:	44MM
REAR TRAVEL:	170MM
WHEELS SIZE:	FRONT: 29" REAR: 27.5"
MAX TYRE SIZE:	2.6"
RECOMMENDED SHOCK SAG (MEASURED SEATED):	30%
SHOCK SIZE:	230X62.5MM
SHOCK HARDWARE F:	25X8MM
SHOCK HARDWARE R:	30X8MM
SIZING:	S/M/L/XL/XXL
HEADTUBE:	56-66MM TAPERED SEMI-INTEGRATED
HEADSET:	*ZS56-28.6 / ZS66/40 (1.5" TAPERED) OR ZS56-28.6 / ZS66/46 (1.8" TAPERED) REQUIRES CABLE ROUTING THROUGH TOP CAP*
BEARINGS REQUIRED:	4X F6802 LLU MAX, 4X 6902 LLU MAX, 2X F6902 LLU MAX-EA
SEATPOST:	31.6MM (INTERNAL ROUTING FOR DROPPER SEATPOST)
SEAT CLAMP:	34.9MM
MOTOR SYSTEM:	SHIMANO STEPS EP8, 250W, 85NM
BATTERY:	CAN FIT EITHER SHIMANO E8035, 504WH OR SHIMANO E8036, 630WH
REAR HUB:	BOOST 148X12MM
REAR AXLE:	SRAM UDH MAXLE STEALTH M12X1.0 180MM (THREAD LENGTH 13MM)
BRAKE MOUNT:	180MM DIRECT POST
PROTECTION:	3D CONTOURED MOTOR PROTECTOR AND RUBBER FRAME PROTECTION FOR DT/SS/CS/BATTERY DOOR



	SHOCK BOLT KIT
	BEARING KIT
	HORST LINK KIT
	MAIN PIVOT KIT
	UPPER SWING LINK KIT
	LOWER SWING LINK KIT
	CABLE GUIDE KIT
	RUBBER FRAME PROTECTION KIT
	HANGER KIT
	BATTERY MOUNT KIT
	WATER BOTTLE MOUNT KIT
	MOTOR MOUNT BOLT KIT

REFERENCE #	PART #	NUKEPROOF PART #	QTY
1	N6C-M8-43.5L	SHOCK BOLT	2
2	N6E-SLA	SWING LINK BOLT	2
3	TB-M8-30L	SWING LINK PIVOT AXLE	1
4	N6E-SWS	SEAT STAY CLEVIS WASHER	2
5	R28	SEAT STAY CLEVIS LOCK RING	2
6	N6E-SLB	SEAT STAY CLEVIS BOLT	2
7	N6E-HLB	HORST LINK BOLT	2
8	ASEE-LWS	HORST LINK WASHER	4
9	VTEA-LWS-19X15X15	HORST LINK BEARING SPACER	2
10	N6E-HLA	HORST LINK PIVOT AXLE	2
11	AE7A-WS 2.5MM	MAIN PIVOT WASHER	2
12	NTR-BSP R2	MAIN PIVOT BEARING SPACER	1
13	VTEA-LBT-83.5	MAIN PIVOT AXLE	1
14	AFDC-CWS	MAIN PIVOT COLLETT WASHER	1
15	VT9B-BTCA	BATTERY DOOR	1
16	M6X12L-R51B	BATTERY DOOR BOLT	3
17	M6X12L-M11B	BATTERY MOUNT BOLT	4
18	M4X8L-M11B	CABLE GUIDE BOLT	3
19	VT9A-CGB-A	UPPER INTERNAL CABLE GUIDE	1
20	VT9A-CGB-B	LOWER INTERNAL CABLE GUIDE	1
21	VT9A-BTH-A	UPPER BATTERY MOUNT	1
22	NP9A-BTH-B-R2	LOWER BATTERY MOUNT	1
23	NP9A-LK	SWING LINK	1
24	FB-SUP-LK121-1	SEAT TUBE CABLE PORT	2
25	M4X10L-M11B	SEAT TUBE CABLE PORT BOLT	2
26	F6902 LLU MAX-EA	UPPER SWING LINK BEARING	2
27	BB 6902 LLU MAX	MAIN PIVOT/SEAT STAY CLEVIS BEARING	4
28	BB F6802 LLU MAX	HORST LINK BEARING	4
29	TK017	WATER BOTTLE ADAPTOR MOUNT	1
30	M5X12MM MAX	WATER BOTTLE ADAPTOR MOUNT BOLTS	2
31	M5X8MM	WATER BOTTLE CAGE MOUNT BOLTS	2
32		UDH HANGER KIT	
33	MB-T40-18L	MOTOR MOUNT BOLTS	6
34	VT9B-BTC-WS	BATTERY DOOR FITTING	1
A	VLF-C-1115	SEAT STAY PROTECTOR	1
B	VLF-C-1131	CHAIN STAY PROTECTOR	1
C	VLF-C-1151	MOTOR PROTECTOR	1
D	VLF-C-1244	DOWN TUBE MID PROTECTOR	1
E	VLF-C-1229	BATTERY DOOR PROTECTOR	



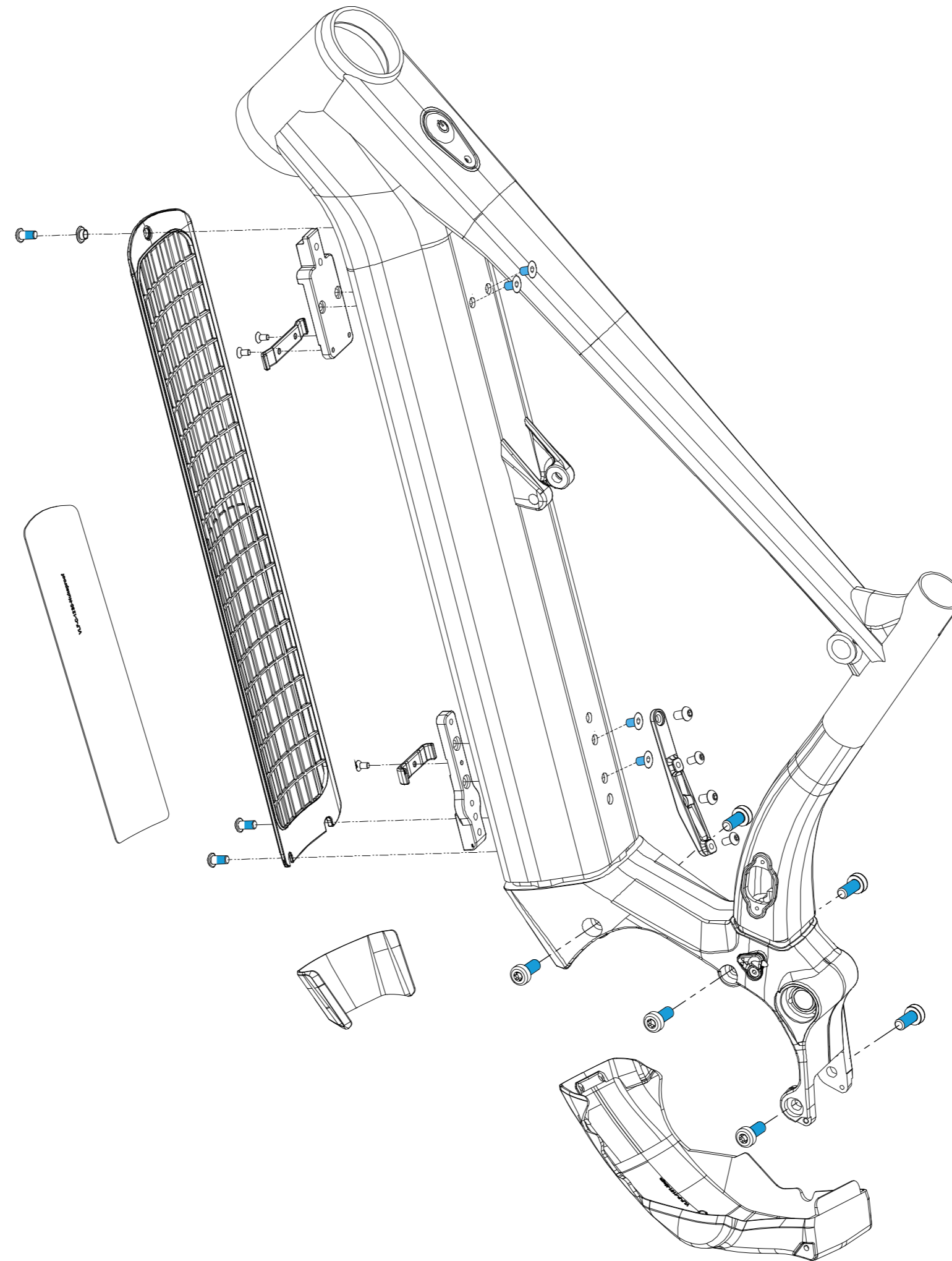
RECOMMENDED TORQUE VALUES

PART NUMBER	TORQUE
SHOCK BOLTS	15NM
UPPER SWING LINK	14NM
LOWER SWING LINK	19NM
MAIN PIVOT	19NM
HORST LINK BOLTS	12NM
CABLE GUIDES	3NM
UDH HANGER	25NM
UDH HANGER BOLT	3NM
BATTERY DOOR BOLTS	2NM
BATTERY MOUNT BOLTS	7NM
CABLE GUIDE BOLTS	3NM
MOTOR MOUNT BOLTS	15NM

NOTE: USE MEDIUM STRENGTH THREADLOCK
WE RECOMMEND LOCTITE 243

THREADLOCK

GREASE



RECOMMENDED TORQUE VALUES

PART	TORQUE
BATTERY DOOR BOLTS	2NM
BATTERY MOUNT BOLTS	7NM
CABLE GUIDE BOLTS	3NM

NOTE: USE MEDIUM STRENGTH THREADLOCK
WE RECOMMEND LOCTITE 243