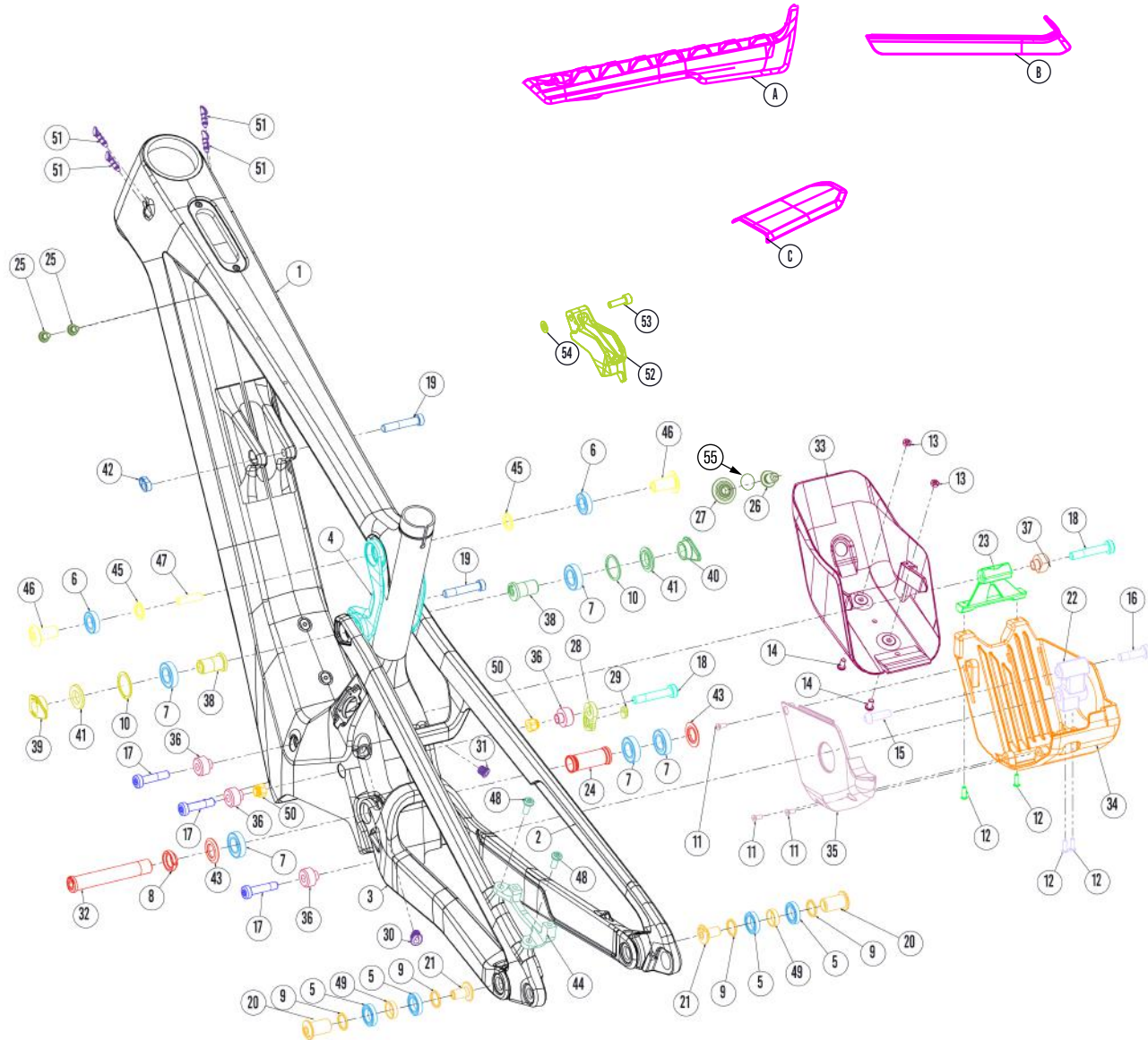


**MEGAWATT 297**

<b>MATERIAL:</b>	ULTRA STRONG 1700/800 CARBON FIBRE MONOCOQUE CONSTRUCTION
<b>FORK TRAVEL:</b>	170MM
<b>AXLE TO CROWN:</b>	582MM
<b>FORK OFFSET:</b>	44MM
<b>REAR TRAVEL:</b>	170MM
<b>WHEELS SIZE:</b>	FRONT: 29" REAR: 27.5"
<b>MAX TYRE SIZE:</b>	2.6"
<b>RECOMMENDED SHOCK SAG (MEASURED SEATED):</b>	30%
<b>SHOCK SIZE:</b>	230X65MM
<b>SHOCK HARDWARE F:</b>	25X8MM
<b>SHOCK HARDWARE R:</b>	30X8MM / BEARING END
<b>SIZING:</b>	S/M/L/XL/XXL
<b>HEADTUBE:</b>	56-65MM TAPERED SEMI-INTEGRATED
<b>HEADSET:</b>	2556-26.6 / 2566/46 (1.8" TAPERED)
<b>BEARINGS REQUIRED:</b>	4X 6802 LLU MAX, 5X 6902 LLU MAX, 2X F8001 LLU MAX
<b>SEATPOST:</b>	31.6MM (INTERNAL ROUTING FOR DROPPER SEATPOST)
<b>SEAT CLAMP:</b>	36.4MM
<b>MOTOR SYSTEM:</b>	SRAM EAGLE POWERTRAIN DRIVE UNIT, 250W, 90NM
<b>BATTERY:</b>	SRAM EAGLE POWERTRAIN BATTERY 720WA
<b>REAR HUB:</b>	BOOST 148X12MM
<b>REAR AXLE:</b>	SRAM UDH MAXLE STEALTH M12X1.0 180MM (THREAD LENGTH 13MM)
<b>REAR HANGER:</b>	UDH (UNIVERSAL DERAILLEUR HANGER)
<b>BRAKE MOUNT:</b>	200MM DIRECT POST / MAX REAR ROTOR SIZE 220MM
<b>CHAINLINE:</b>	55MM
<b>CHAINING SIZE:</b>	36T
<b>PROTECTION:</b>	3D CONTOURED RUBBER FRAME PROTECTION FOR DT/SS/CS

**AFTERMARKET SPARES KITS**

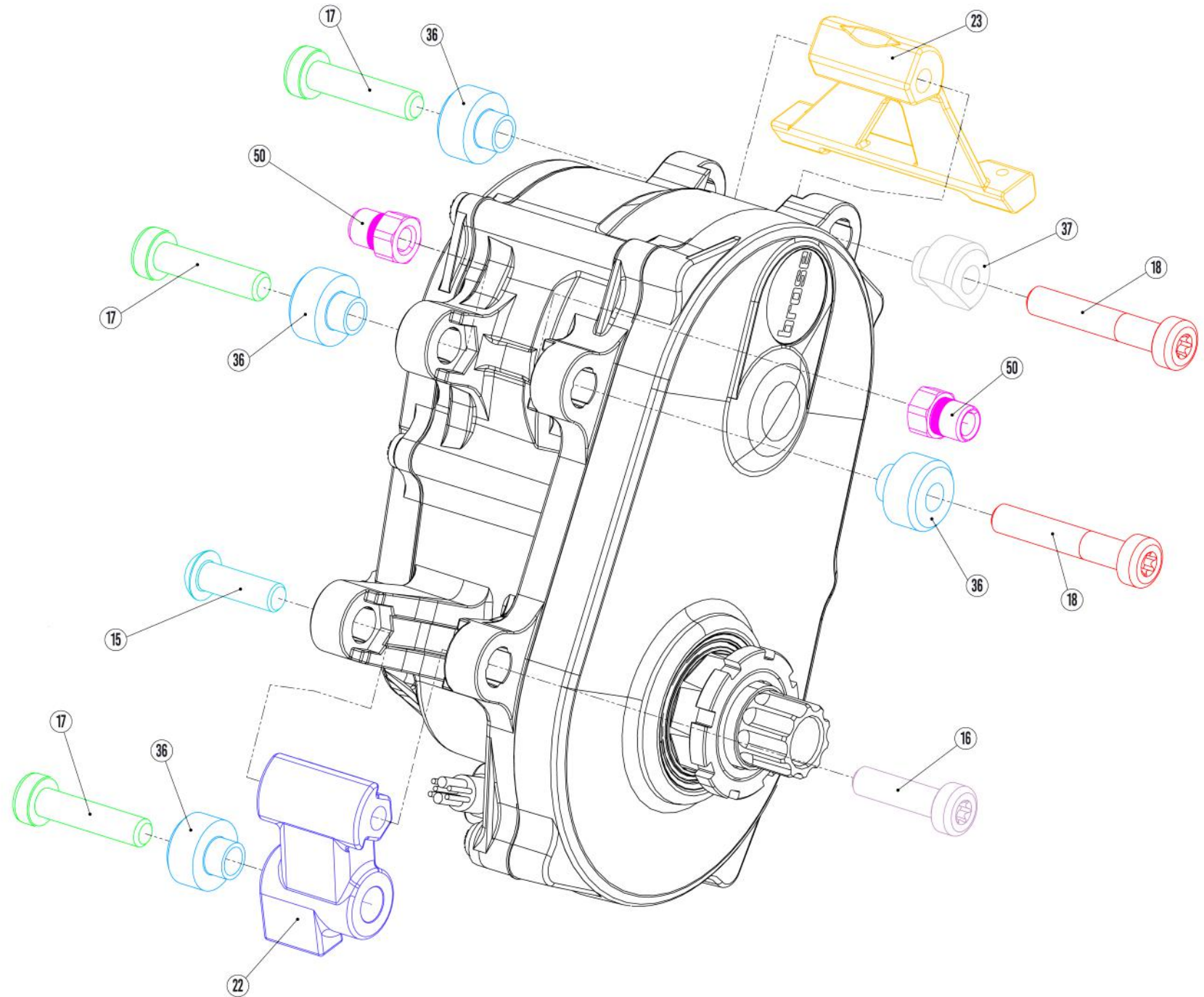
	SHOCK BOLT KIT
	BEARING KIT
	HORST LINK KIT
	MAIN PIVOT KIT
	UPPER SWING LINK KIT
	LOWER SWING LINK KIT NON-DRIVE SIDE
	LOWER SWING LINK KIT DRIVE SIDE
	GRONMET KIT
	RUBBER FRAME PROTECTION
	HANDER
	BATTERY BOLT KIT
	WATER BOTTLE MOUNT
	MOTOR MOUNT BOLT
	SWING LINK
	MOTOR PROTECTOR KIT
	NON-DRIVE MOTOR COVER
	UPPER MOTOR MOUNT KIT
	LOWER MOTOR MOUNT KIT
	MOTOR CRADLE DRIVE-SIDE COVER
	MOTOR BOLT 35MM
	MOTOR BOLT 46MM
	MOTOR BOLT SPACER ROUND
	MOTOR BOLT SPACER SQUARE
	MOTOR BOLT NUT
	CHAIN GUIDE KIT
	BRAKE MOUNT KIT

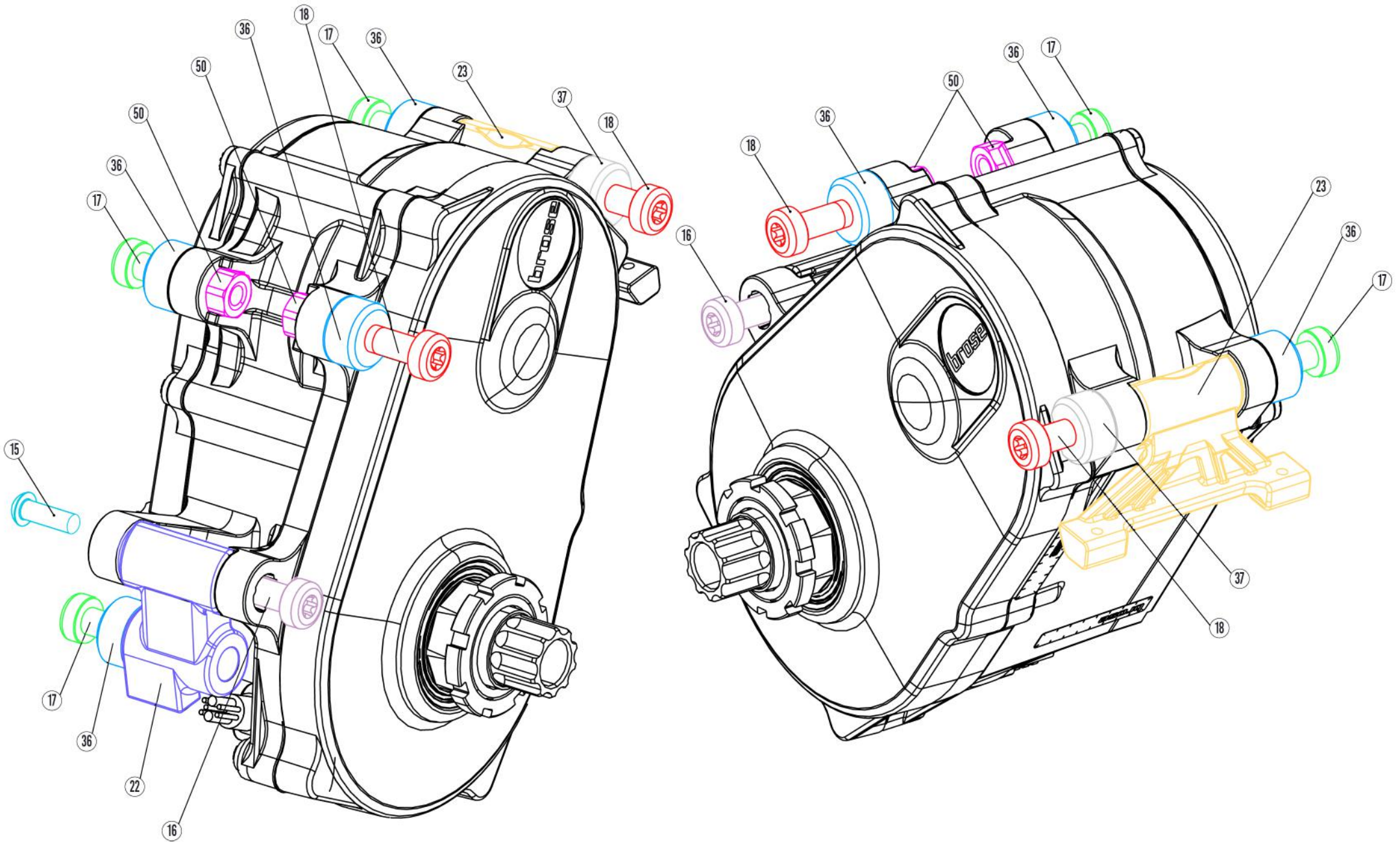


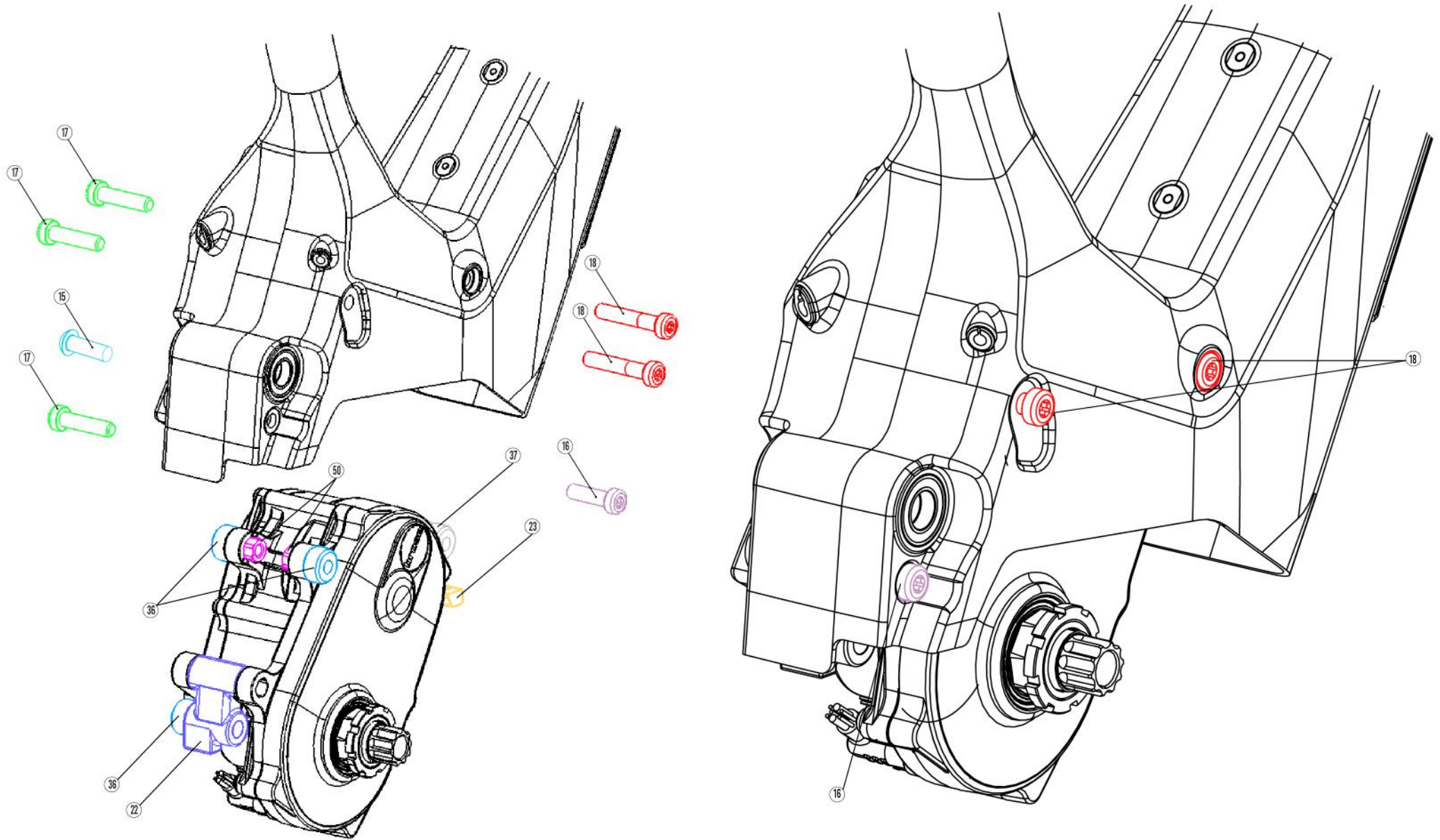
REFERENCE #	PART #	NUKEPROOF PART #	QTY
1	NP800-MD	FRONT TRIANGLE	1
2	NP800-SS	SEAT STAY	1
3	NP800-CS	CHAIN STAY	1
4	NP800-LK	SWING LINK	1
5	6902 LLU MAX	6902 LLU MAX	4
6	6901 LLU MAX	6901 LLU MAX	2
7	6902 LLU MAX	6902 LLU MAX	5
8	AFDC-CWS	MAIN PIVOT AXLE COLLETT WASHER	1
9	ASEE-LWS	HORST LINK WASHER	4
10	IB-28	LOWER SWING LINK LOCK RING	2
11	MAX10L-M110	NON-DRIVE MOTOR COVER BOLT	3
12	MAX12L-R110	MOTOR MOUNT BOLT	4
13	MSX2.7L	ACCESSORY MOUNT NUT	2
14	MSX10L-R110	ACCESSORY MOUNT SCREW	2
15	MSX25L-R110	LOWER MOTOR MOUNT BOLT NON-DRIVE	1
16	MB-140-30L	LOWER MOTOR MOUNT BOLT DRIVE-SIDE	1
17	MB-140-35L	MOTOR BOLT 35MM	2
18	MB-140-46L	MOTOR BOLT 46MM	3
19	N8C-M8-43.5L	SHOCK BOLT	2
20	N6E-HLA	HORST LINK PIVOT AXLE	2
21	N6E-HLB	HORST LINK BOLT	2
22	NP80-AR	LOWER MOTOR MOUNT	1
23	NP80-80M	UPPER MOTOR MOUNT	1
24	NP80-BSP	MAIN PIVOT BEARING SPACER	1
25	NP80-BTB	UPPER BATTERY BOLTS	2
26	NP80-BTM10X24.5L	LOWER BATTERY BOLT	1
27	NP80-BTSH	BATTERY BODD CAP	1
28	NP80-CG	CHAIN GUIDE MOUNT	1
29	NP80-CG-A	CHAIN GUIDE FLIP CHIP	1
30	VBF8-LMCG	BRAKE HOSE GRONMET	1
31	VBF8-IMCD	DERAILLEUR CABLE GRONMET	1
32	NP80-LAX	MAIN PIVOT AXLE	1
33	NP80-MOCV-A	MOTOR PROTECTOR	1
34	NP80-MOCV-B	MOTOR CRADLE DRIVE-SIDE COVER	1
35	NP80-MOCV-C	NON-DRIVE MOTOR COVER	1
36	NP80-MOW	MOTOR BOLT SPACER ROUND	4
37	NP80-MOWC	MOTOR BOLT SPACER SQUARE	1
38	NP80-RBT	LOWER SWING LINK BOLT	2
39	NP80-SPT-L	NON-DRIVE SIDE SEAT STAY CHIP	1
40	NP80-SPT-R	DRIVE SIDE SEAT STAY CHIP	1
41	NPC-WS27-15-4T	LOWER SWING LINK WASHER	2
42	NPC7-NI	SHOCK BOLT NUT	1
43	NTR-BWS	MAIN PIVOT WASHER	2
44	NTR-DAP R2	BRAKE MOUNT	1
45	NTR-FWS R2	UPPER SWING LINK PIVOT SPACER	2
46	NTR-LAX R2	SWING LINK PIVOT BOLT	2
47	T8-M8-30L	SWING LINK PIVOT AXLE	1
48	T20X-M8-16L-S	BRAKE MOUNT BOLTS	2
49	VTEA-LWS-10X15X5	HORST LINK BEARING SPACER	2
50	NP80-8TMD	MOTOR BOLT NUT	2
51	VLD-144Z	HEADTUBE CABLE BUNGS	4
52		CHAIN GUIDE	1
53		CHAIN GUIDE BOLT	1
54		CHAIN GUIDE WASHER	1
55	NP80-BTSH	LOWER BATTERY BOLT CAP O-RING	1
A	VLV-C-1584E	CS PROTECTION	1
B	VLV-C-1585E	SS PROTECTION	1
C	VLV-C-1805E	DT PROTECTION	1



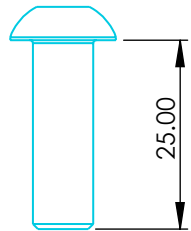
MOTOR	
DRAWING NUMBER	PART NUMBER
22	LOWER MOTOR MOUNT
23	UPPER MOTOR MOUNT
36	MOTOR BOLT SPACER ROUND
37	MOTOR BOLT SPACER SQUARE
50	MOTOR BOLT NUT
15	LOWER MOTOR MOUNT BOLT NON-DRIVE SIDE 25MM
16	LOWER MOTOR MOUNT BOLT DRIVE-SIDE 20MM
17	MOTOR BOLT 35MM
18	MOTOR BOLT 46MM



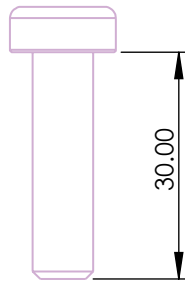




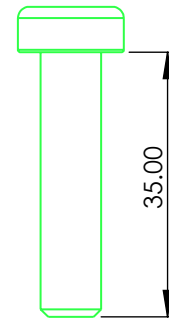
15. M8X25L-R11Q



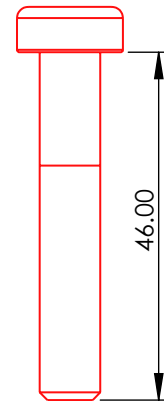
16. MB-T40-30L

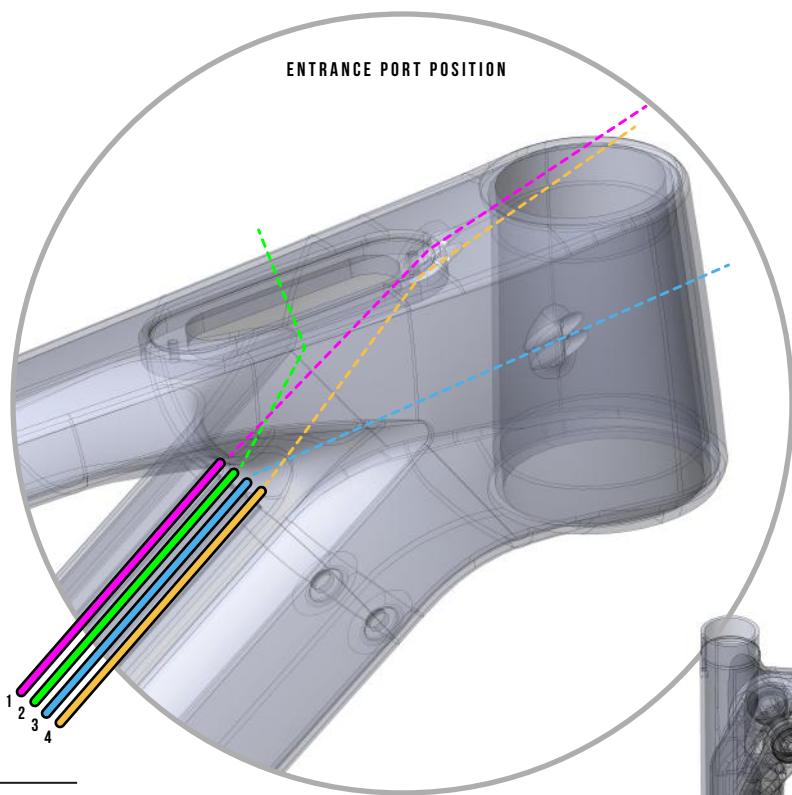


17. MB-T40-35L



18. MB-T40-46L

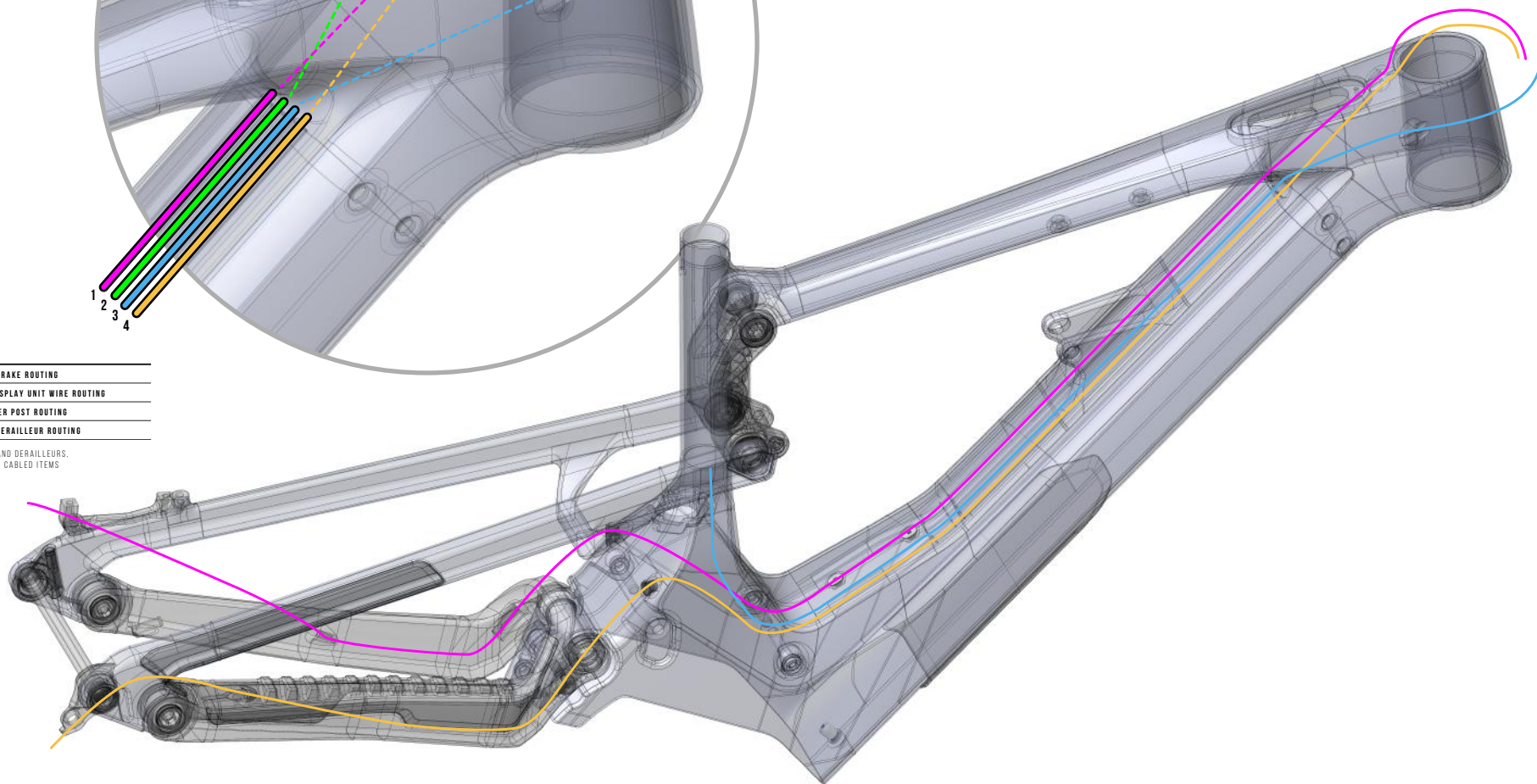


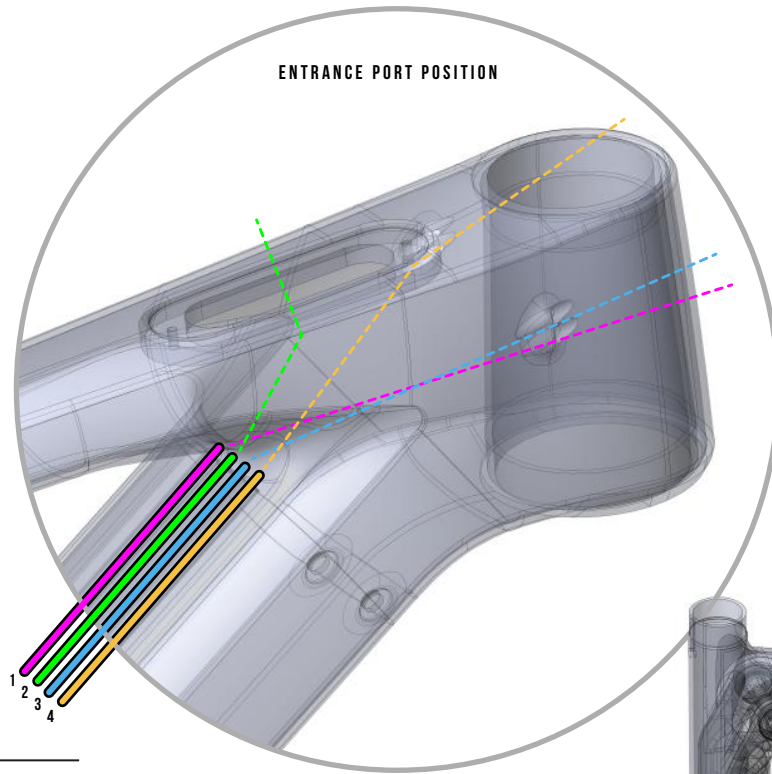


USA BRAKE & DROPPER CABLE ROUTING GUIDE \*

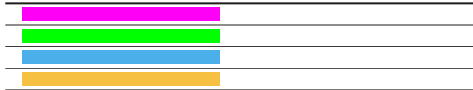
	1 - REAR BRAKE ROUTING
	2 - AXS DISPLAY UNIT WIRE ROUTING
	3 - DROPPER POST ROUTING
	4 - REAR DERAILLEUR ROUTING

\*PLEASE NOTE BIKES SUPPLIED WITH WIRELESS DROPPER POST AND DERAILLEURS.  
ROUTING FOR REFERENCE PROPOSES IF COMPONENTS CHANGED TO CABLED ITEMS

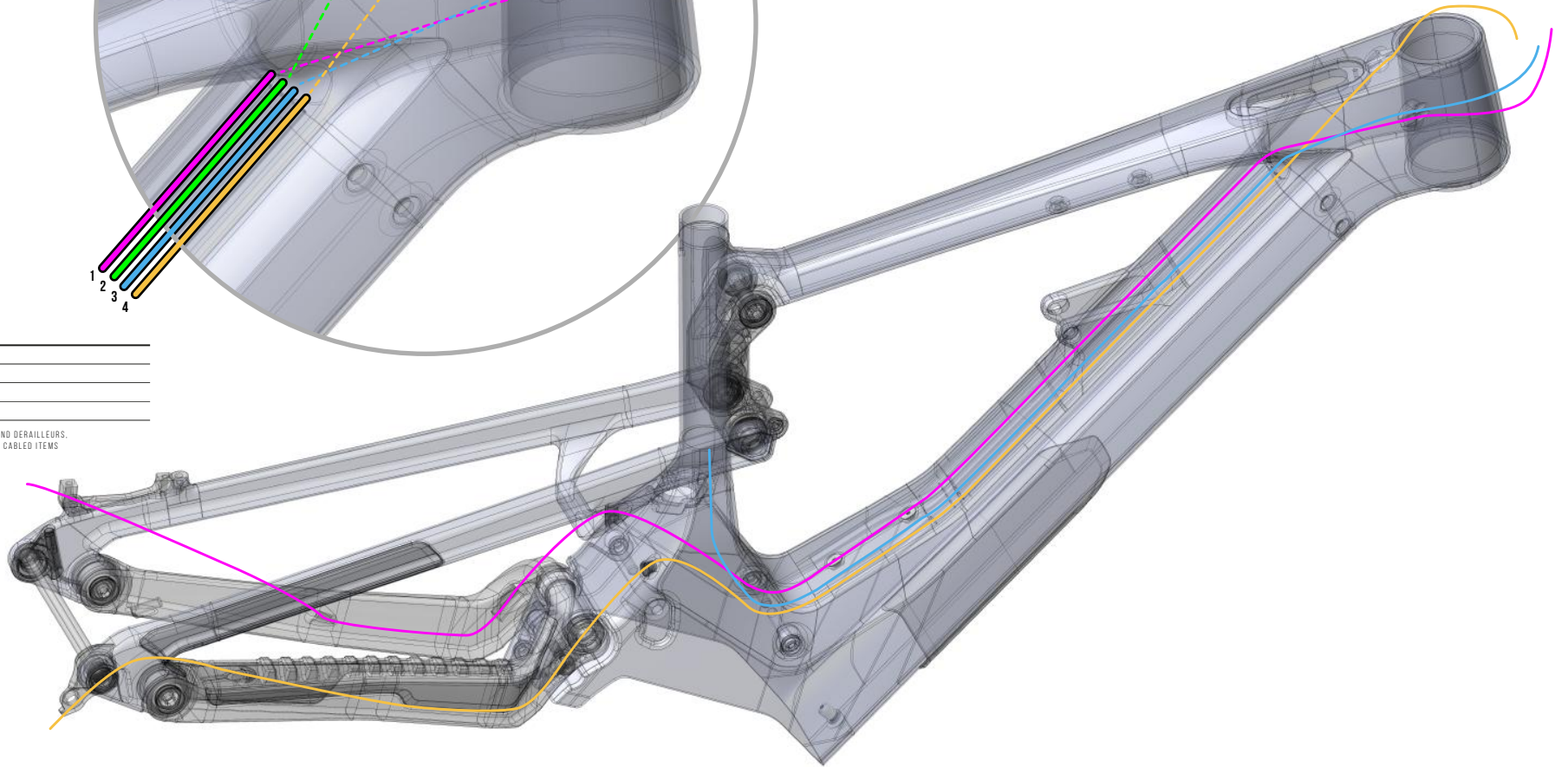




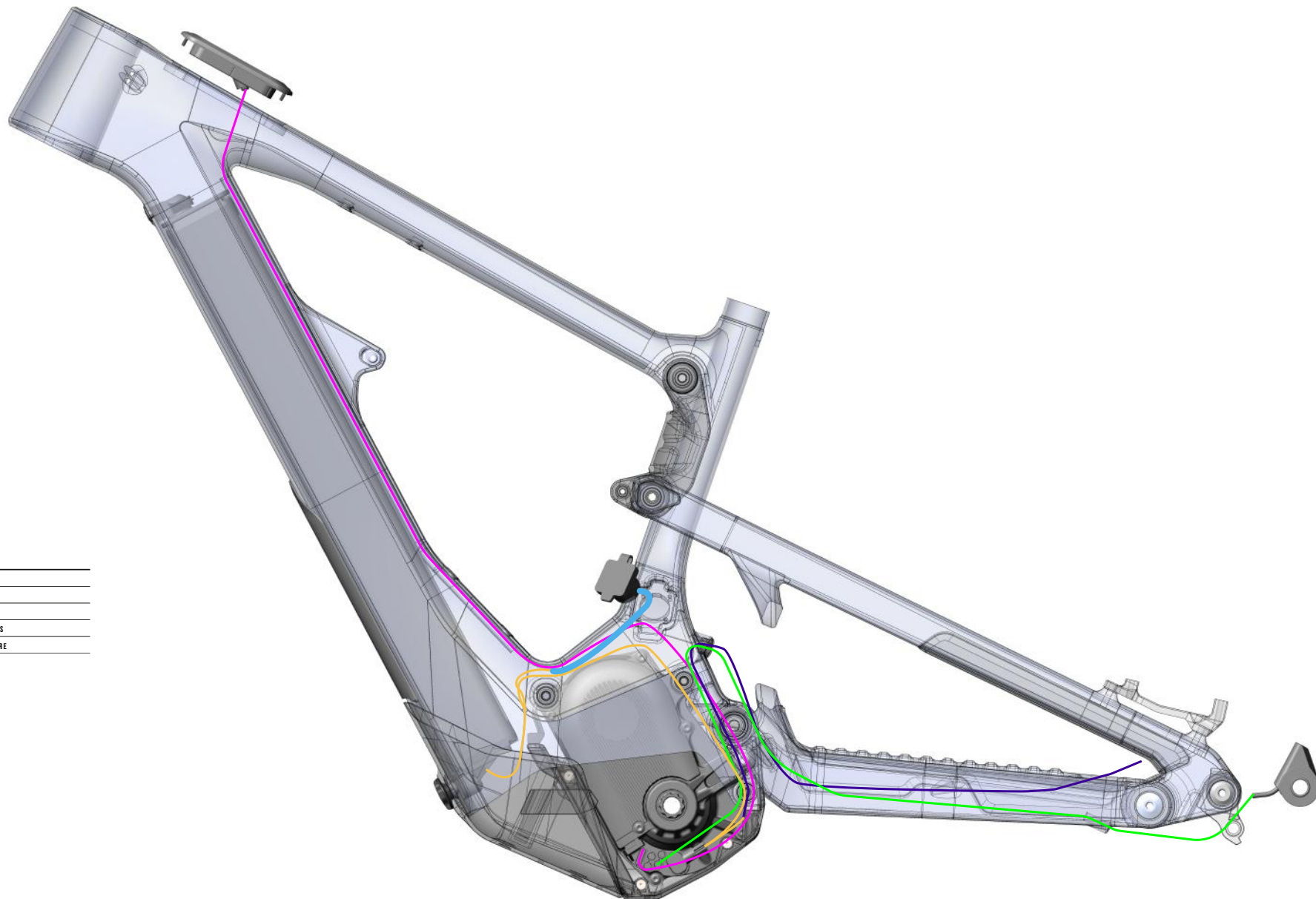
**UK BRAKE & DROPPER CABLE ROUTING GUIDE**








\*PLEASE NOTE BIKES SUPPLIED WITH WIRELESS DROPPER POST AND DERAILLEURS.  
ROUTING FOR REFERENCE PROPOSES IF COMPONENTS CHANGED TO CABLED ITEMS







SRAM E-BIKE COMPONENTS WIRING GUIDE

	AXS DISPLAY
	SPEED SENSOR
	CHARGE PORT CABLE
	BATTERY WIRE HARNESS
	DERAILLEUR POWER WIRE