



M Y 2 0



IT'S IN OUR DNA ...

SINCE THE LEGENDARY CARBON SHELLLED ATOM BOMB HUBS IN THE 1990'S THROUGH TO OUR HUGELY SUCCESSFUL GENERATOR & HORIZON WHEELSETS, NUKEPROOF HAVE ALWAYS BEEN SYNONYMOUS WITH CREATING WHEELSETS AND HUBS.

THE LATEST HORIZON V2 WHEELSETS ARE A GROUND UP DESIGN. DESIGNED AND DEVELOPED BY OUR TEAM IN NORTHERN IRELAND AND TESTED EXTENSIVELY. THE NEW DESIGN FEATURES A NUMBER OF IMPROVEMENTS WITH THE AIM TO IMPROVE THE QUALITY, DURABILITY, PERFORMANCE AND STRENGTH.

HORIZON V2 IS DESIGNED FOR RIDERS LOOKING FOR A HIGH PERFORMANCE FAST ENGAGING AND TOUGH WHEELSET TO RIDE & RACE ACROSS EVEN THE MOST CHALLENGING CONDITIONS. APPROVED FOR TRAIL, ENDURO AND DOWNHILL USE.





H O R I Z O N M Y 2 0

27.5



3ER-JOYCE

27.5

THE HUB

AT THE HEART OF THE V2 HORIZON WHEELSET IS AN ALL NEW REAR HUB. FEATURING 102 POINT OF ENGAGEMENT (EVERY 3.52 DEGREES) ALLOWS RIDERS TO LAY THE POWER DOWN FAST WITH MINIMAL LAG. THE HUB WILL HAVE A NICE TONE OUT THE BOX, BUT FOR THOSE THAT WANT A MORE STEALTH APPROACH WE OFFER THE OPTION OF DIFFERENT PAWLS & SPRINGS. EACH HUB HAS BEEN MACHINED TO ENSURE ITS AS STRONG AND LIGHT AS POSSIBLE.

WITH FREEHUB OPTIONS OF:

SRAM XD DRIVER: 142MM, 148MM, 150MM

SHIMANO HG: 142MM, 148MM, 150MM

SHIMANO MICROSPLINE 148MM

A FULL RANGE OF SPARE PARTS ARE AVAILABLE FOR HUBS, FREEHUB CONVERSIONS AND RIMS.



NEW FOR 2020 IS THE USE OF HIGH PERFORMANCE ENDURO ABEC 5 BEARINGS. FEATURING "LLU/LLB" FULL CONTACT SEAL TYPE EACH BEARING HAS 2 LIPS WHICH MAKE LIGHT CONTACT IN A GROOVE TO CREATE A LABYRINTH WHERE THE WATER OR DIRT HAS A MORE DIFFICULT TIME TO PENETRATE, THIS COMBINED WITH ENDURO BEARINGS 80% GREASE FILL ON BOTH SIDES TO ENSURE LONG LASTING PERFORMANCE AND QUALITY. THIS GIVES COMPLETE COVERAGE SO THERE ARE NO DRY AREAS AND AVOIDS METAL ON METAL CONTACT /WEAR.

THE HUB'S WILL FIT MOST MODERN BIKES WITH WIDTH
OPTIONS OF:

142MM WITH 12MM BOLT THROUGH AXLE (INTERCHANGEABLE
TO 135MM QR)

148MM WITH 12MM BOLT THROUGH AXLE (INTERCHANGEABLE
TO 141MM QR)

150MM WITH 12MM BOLT THROUGH AXLE

157MM WITH 12MM BOLT THROUGH AXLE

THE FRONT HUB IS AVAILABLE WITH:

15MM X 100MM (9MM QR OPTION CAP),

15MM X 110MM

20MM X 110MM NON BOOST

20MM X 110MM BOOST OPTIONS





T H E R I M A N D S P O K E S



EXTENSIVE TESTING HAS BEEN CARRIED OUT TO ENSURE WE HAVE DEVELOPED A RIM THAT IS UP TO THE DEMANDS OF ENDURO & DOWNHILL. THE HORIZON V2 RIM USES DYNAMICALLY AGED MAGNESIUM-SILICON ENRICHED ALLOY BLEND TO GIVE THE STIFFNESS AND HARDNESS TO 7-SERIES ALLOY, BUT THE DUCTILITY AND YIELD PROPERTIES OF A 6-SERIES.

RIMS ARE SLEEVED TO ALLOW US TO HAVE FULL CONTROL OVER THE PROPERTIES OF THE ALLOY. IN TESTING WE FOUND THE EXPOSURE TO THE HEAT DURING THE WELDING PROCESS DRASTICALLY CHANGED THE PROPERTIES OF THE ALLOY IN THE AREA AROUND THE WELD, LEADING TO A POTENTIAL WEAK SPOT IN THE RIM. OUR TOLERANCES ARE SO PRECISE SO WE CAN ENSURE THAT THE ALLOY PROPERTIES ARE THE SAME THROUGHOUT THE WHOLE RIM.

OUR FRONT AND REAR RIM PROFILES ARE THE SAME BUT DUE TO THE REAR BEING MORE LIKELY TO SUFFER TRAIL DAMAGE, WE HAVE CHOSEN TO USE A THICKER SIDEWALL ON THE REAR RIM FOR ADDED STRENGTH.

THE HORIZON V2 RIM IS DESIGNED TO MAXIMISE THE SUPPORT, COMFORT AND ULTIMATELY GRIP FROM 2.3"-2.6" TYRES. NUMEROUS LAB AND TRAIL TESTS LED TO A 30MM (INTERNAL WIDTH). A 30MM RIM ALLOWS THE OPTIMAL PROFILE ALLOWS MOST MODERN TYRES.



AVAILABLE IN 27.5" / 650B AND 29" OPTIONS.

FOR SIMPLICITY, RIDER MAINTENANCE AND ACCESS TO SPARES DURING THE WHEELS LIFE WE HAVE CHOSEN TO USE J-BEND SPOKES (32 PER FRONT AND REAR WHEEL) HAND LACED IN A 3X PATTERN.

WHEEL	WHEEL SIZE	NON DRIVE SIDE SPOKE LENGTH	DRIVESIDE SPOKE LENGTH
FRONT	27.5"	269	270
FRONT	29"	288	289

WHEEL	WHEEL SIZE	NON DRIVE SIDE SPOKE LENGTH	DRIVESIDE SPOKE LENGTH
REAR	27.5"	271	268
REAR	29"	289	268





SIMPLICITY IS KEY:

NUKEPROOF HORIZON V2 WHEELS ARE SOLD INDIVIDUALLY ALLOWING RIDERS TO MIX AND MATCH TO GET THE CORRECT HUB SPACING AND WHEEL SIZES. AVAILABLE IN BOTH 27.5" AND 29" RIM SIZES, EACH RIM IS HAND LACED AND TRUED TO ENSURE A PERFECT FINISH.

REAR WEIGHT (INC. TAPE AND VALVES):

27.5" 148MM X 12MM - 1093g

27.5" 150MM X 12MM - 1116g

FRONT WEIGHT (INC. TAPE AND VALVES):

27.5" 15MM BOOST - 884g

27.5" 20MM BOOST - 946g

RIDERS CAN VISIT NUKEPROOF.COM FOR A FULL STEP BY STEP SERVICE GUIDE ON HOW TO MAINTAIN THEIR HUB AND A FULL RANGE OF SPARES WILL BE AVAILABLE FROM ALL GOOD NUKEPROOF RETAILERS.

FRONT: SRP £150 (EURO \$168 / USD \$211)

REAR: SRP £250 (EURO \$280 / USD \$352)



JUST ADD SEALANT (TYRE/ CASSETTE AND BRAKE DISC) AND THE HORIZON RIMS ARE READY FOR THE TRAIL/ TRACKS. EACH RIM WILL COME TAPED AND WITH OUR LATEST HORIZON TUBELESS VALVE INSTALLED SO ALL YOU NEED TO DO IS FIT YOUR TYRE AND ADD SEALANT.

THE HORIZON VALVE IS COMPATIBLE WITH OUR NUKEPROOF ARD TYRE PROTECTION SYSTEM AS WELL AS OTHER TYRE INSERTS.

NUKEPROOF... IT'S AN ATTITUDE





NEUTRON WHEELS





NEUTRON WHEELSETS AND SPARES:

AS PART OF THE WHEELSET OVERHAUL WE HAVE UPGRADED THE NEUTRON WHEELSETS TOO. THE NEUTRON RETAINS KEY CHARACTERISTICS OF THE HORIZON WHEELSET, BUT AT A FRACTION OF THE COST. THE NEUTRON IS A FAST ROLLING ROBUST WHEELSET DESIGNED TO BE RELIABLE AND PERFORM ON THE MOST CHALLENGING OF TRAILS.

STRONG, WIDE DEPENDABLE RIMS WITH AN UPGRADED SMOOTH FAST ENGAGING RATCHET SYSTEM AND FREEHUB. IT WILL BE SUPPLIED TUBELESS READY STRAIGHT OUT THE BOX (SUPPLIED TAPED AND WITH VALVES).







NEUTRON HUB

AT THE HEART OF THE NEUTRON HUB IS AN ALL NEW 36 POINT OF ENGAGEMENT HUB (ENGAGEMENT EVERY 10DEGREES). DESIGNED WITH A SMOOTH, FAST PICK UP AND TESTED TO BE RELIABLE EVEN IN THE MOST CHALLENGING OF CONDITIONS.

NEUTRON WILL BE SUPPLIED WITH SHIMANO'S HG FREEHUB WITH THE OPTION OF SHIMANO MICROSPLINE OR SRAM XD FREEHUB BODIES.

THE HUB WILL BE AVAILABLE IN 142MM X 12MM, 148MM X 12MM, 150/157MM X 12MM. CONVERSION OPTIONS ARE AVAILABLE TO CONVERT 142MM X 12MM TO 135MM QR, 148MM X 12MM CAN BE CONVERTED TO 141MM BOOST WITH END CAPS (SOLD SEPARATELY).



NEUTRON WHEELSETS FEATURE A 29MM (INTERNAL WIDTH) 6066 ALLOY RIM WHICH HAS BEEN EXTENSIVELY TESTED FOR TRAIL, ENDURO AND DOWNHILL USE.

32 J BEND SPOKES (FRONT AND REAR) AND HAND LACED USING A 3X PATTERN FOR STRENGTH AND RIGIDITY.

BOTH FRONT AND REAR WHEELS ARE SUPPLIED PRE TAPED WITH HORIZON TUBELESS VALVES AND FULLY COMPATIBLE WITH ARD RIM DEFENCE SYSTEM. WHEELS WILL BE SEPARATELY TO ALLOW RIDERS TO CHOOSE THE COMBINATION THEY REQUIRE AND A FULL SET OF SPARES AND ACCESSORIES WILL BE AVAILABLE THROUGH NUKEPROOF RETAILERS.

AVAILABLE IN 27.5" / 650B AND 29" OPTIONS.

WEIGHT:

15MM BOOST FRONT: 905G INCLUDING VALVE & TAPE

148MM BOOST HG REAR: 1045G INCLUDING VALVE AND TAPE

SRP:

NEUTRON FRONT WHEEL: £120 / EURO \$134 / USD \$169

NEUTRON REAR WHEEL: £170 / EURO \$190 / USD \$239

WHEEL SIZE	SPACING	NON DRIVESIDE SPOKE LENGTH	DRIVESIDE SPOKE LENGTH
27.5"	42MM / 148MM X 12MM	274	272
27.5"	150MM / 157MM X 12MM	274	273
29"	142MM / 148MM X 12MM	292	290
29"	150MM / 157MM X 12MM	292	291



NEUTRON

A R D



NUKEPROOF HORIZON ADVANCED RIM DEFENCE (A.R.D) HAS BEEN DEVELOPED TO HELP RIDERS PREVENT PUNCTURES AND RIM DAMAGE. THEIR UNIQUE DESIGN HAS BEEN IN DEVELOPMENT FOR OVER 2 YEARS WITH OUR SPONSORED ATHLETES AND STAFF. KEEPING WEIGHT DOWN WAS A KEY FACTOR IN THE DEVELOPMENT OF ARD, A 27.5" INSERT WILL WEIGH 130G.

A.R.D USES CLOSED CELL FOAM'S TECHNOLOGY TO MAKE A LIGHTWEIGHT TYRE INSERT WHICH GIVES YOU A LOT OF PROTECTION. A.R.D WILL ENABLE YOU TO RUN LOWER PRESSURES WITHOUT GETTING FLATS AND IN TURN ASSIST YOU TO INCREASE YOUR GRIP OUT ON THE TRAILS.

AS USED BY THE TEAM CRC-MAVIC, TEAM WIDOPEN AND MANY MORE PRO ATHLETES.

IN THE BOX YOU WILL GET A PAIR OF A.R.D INSERTS AND A PAIR OF COPPER COLOURED TUBELESS VALVES. THE TUBELESS VALVES HAVE BEEN SPECIALLY MADE FOR NUKEPROOF TO ALLOW YOU TO INFLATE AND DEFLATE THE TYRE EASILY WITH A.R.D FITTED IN THE WHEEL.

WEIGHT	130G PER INSERT (27.5)
VALVES	X2 ARD VALVES INCLUDED





N U K E P R O O F H Z N V A L V E S



 **NUKEPROOF**



NUKEPROOF UNIVERSAL PRESTA TUBELESS VALVES - PAIR

THESE TUBELESS VALVES ARE UNIVERSAL AND HAVE ALSO BEEN DESIGNED TO WORK WITH TUBELESS TYRE INSERTS. THESE DURABLY-MADE VALVES ARE IDEAL FOR EFFICIENT INFLATION. THE ADAPTED HEAD ALLOWS THE TYRE INSERT TO SIT ON TOP OF THE VALVE, WITH THE SHAPE OF THE HEAD ALLOWING FOR EASY INFLATION AND DEFLATION. EACH VALVE HAS A REMOVABLE CORE ALLOWING YOU TO GET MAXIMUM AIR FLOW FROM YOUR TUBELESS PUMP OR CO2 CARTRIDGE.

THE CUSTOM CAP HAS BEEN SPECIALLY DESIGNED AND HAS AN INTEGRATED CORE REMOVER FOR REMOVING AND TIGHTENING THE CORE WITHOUT ANY ADDITIONAL TOOLS. THE NUT HAS ALSO BEEN DESIGNED SO THAT YOU CAN GET A GOOD GRIP ON THE FLAT EDGES TO FIRMLY TIGHTEN THE VALVE ON THE RIM.

AN O-RING IS INCLUDED AND SITS AGAINST THE OUTSIDE OF THE RIM TO PREVENT DAMAGE TO THE RIM.



N U K E P R O O F R I M T A P E



NUKEPROOF TUBELESS RIM TAPE 10M

NUKEPROOF TUBELESS TAPE HAS BEEN RIGOROUSLY TESTED TO ENSURE A FIRM, EFFECTIVE AND LONG LASTING SEAL.

DESIGNED TO MEET THE MODERN DEMANDS OF DOWNHILL AND ENDURO RACING.

ONE 10-METRE ROLL WILL BE ENOUGH TAPE TO CATER FOR 4 X 29" WHEELS. ONE LAYER WITH A 4" OVERLAP IS ALL THAT IS REQUIRED TO TAPE YOUR WHEEL FOR TUBELESS SETUP. WE RECOMMEND TO CHOOSE A TAPE 2MM - 3MM WIDER THAN THE INTERNAL RIM WIDTH TO ALLOW FOR THE CONCAVE SHAPE OF THE RIM.

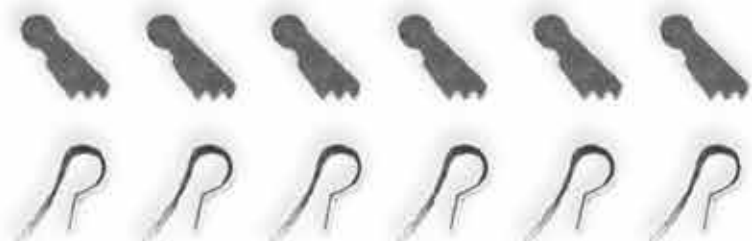




E X P L O D E D W H E E L D I A G R A M S



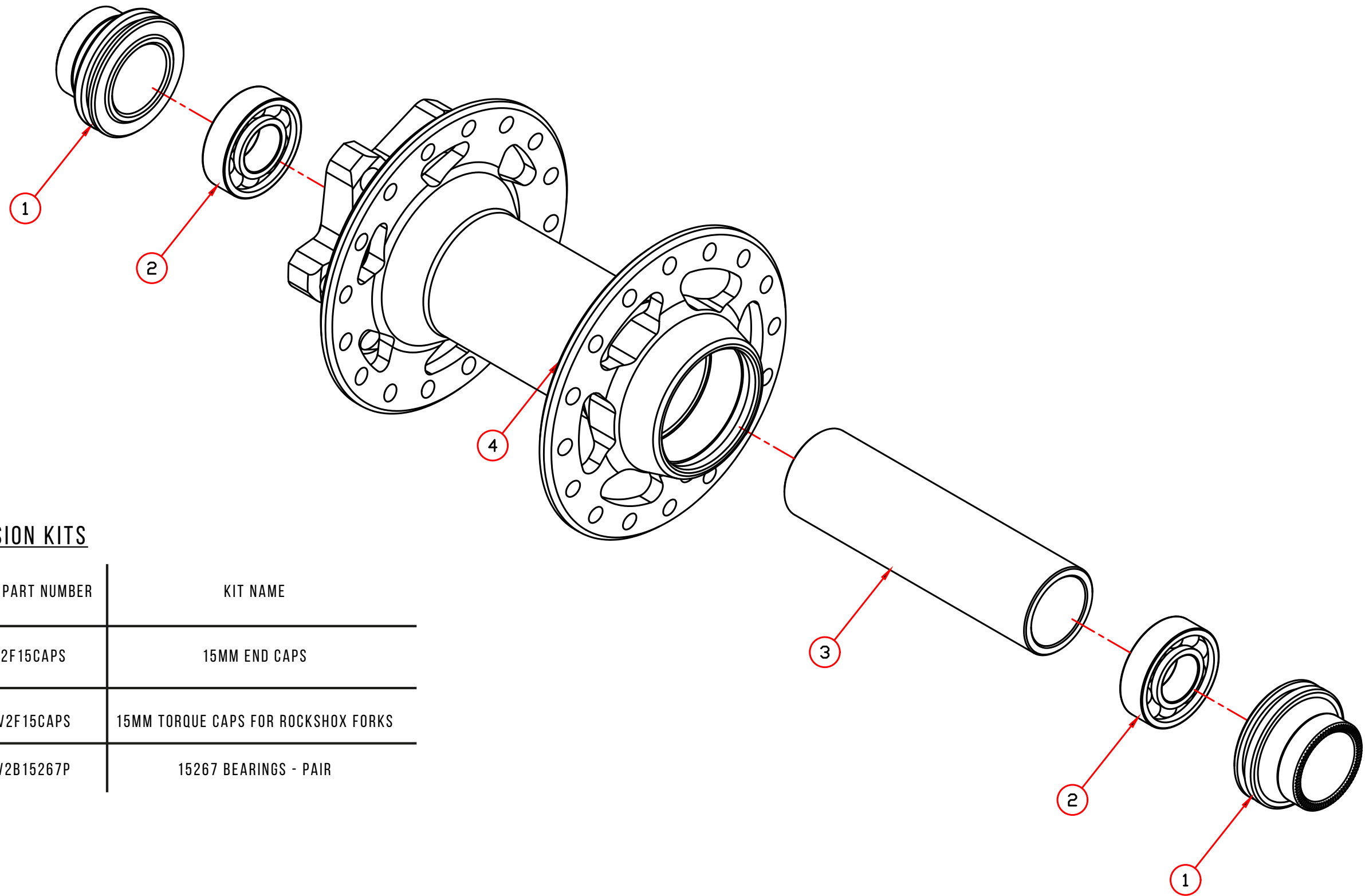
HZN





15MM BOOST HORIZON

ITEM	DESCRIPTION	QTY
1	CAP	2
2	BEARING (15267)	2
3	BUSHING	1
4	HUB SHELL	1



SPARE PARTS AND CONVERSION KITS

DIAGRAM PART NUMBERS	NUKEPROOF PART NUMBER	KIT NAME
1	NUKHORV2F15CAPS	15MM END CAPS
1	NUKHORV2F15CAPS	15MM TORQUE CAPS FOR ROCKSHOX FORKS
2	NUKHORV2B15267P	15267 BEARINGS - PAIR

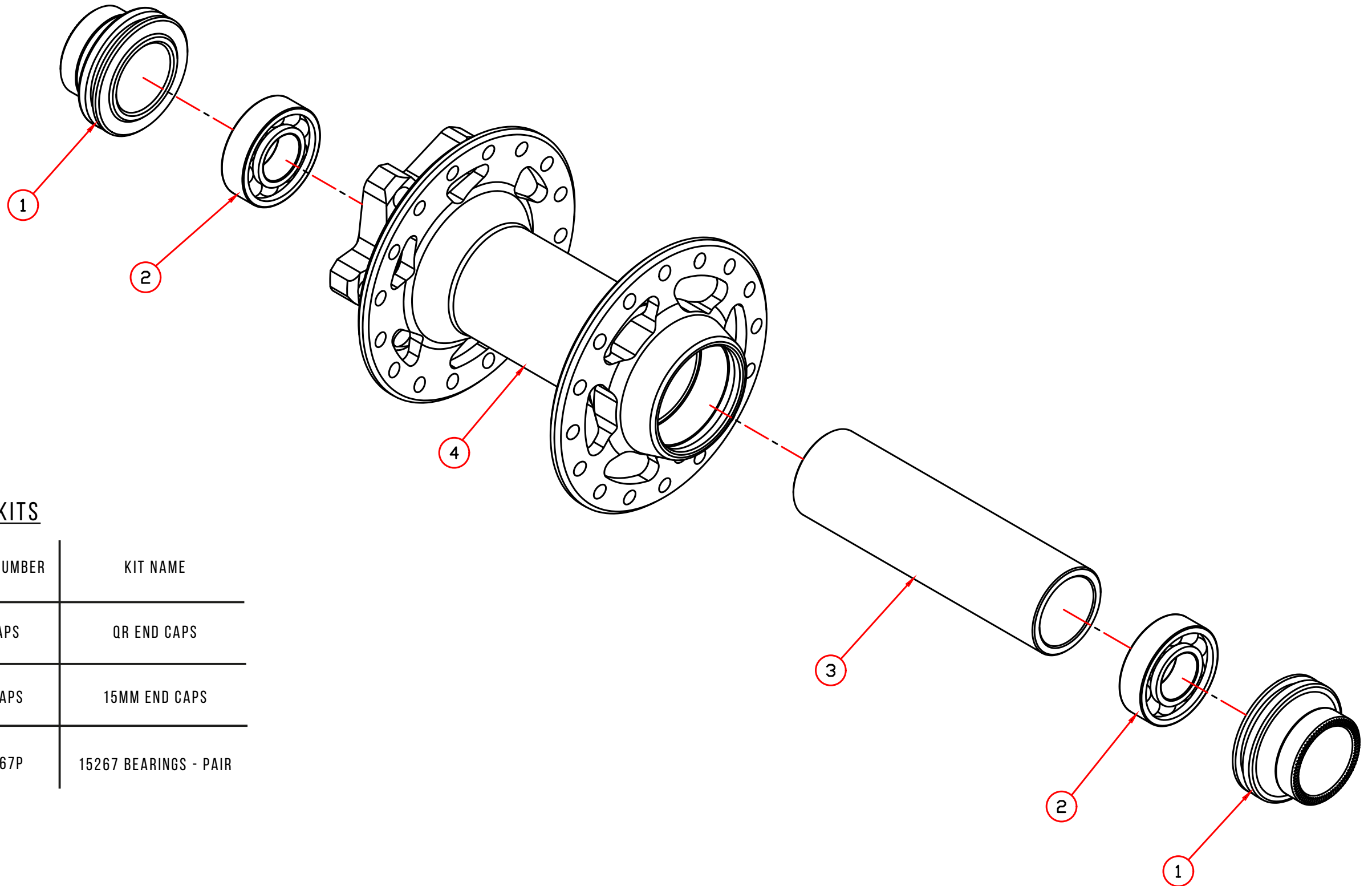
HUB DIMENSIONS

LEFT FLANGE \varnothing (PCD)	RIGHT FLANGE \varnothing (PCD)	CENTER TO LEFT FLANGE	CENTER TO RIGHT FLANGE	SPOKE HOLE \varnothing	OFFSET	FLANGE TO FLANGE
58	58	29.03	34.97	2.6	2.97	64



15MM NON BOOST HORIZON

ITEM	DESCRIPTION	QTY
1	CAP	2
2	BEARING (15267)	2
3	BUSHING	1
4	HUB SHELL	1



SPARE PARTS AND CONVERSION KITS

DIAGRAM PART NUMBERS	NUKEPROOF PART NUMBER	KIT NAME
1	NUKHORVF9QRCAPS	QR END CAPS
1	NUKHORV2F15CAPS	15MM END CAPS
2	NUKHORV2B15267P	15267 BEARINGS - PAIR

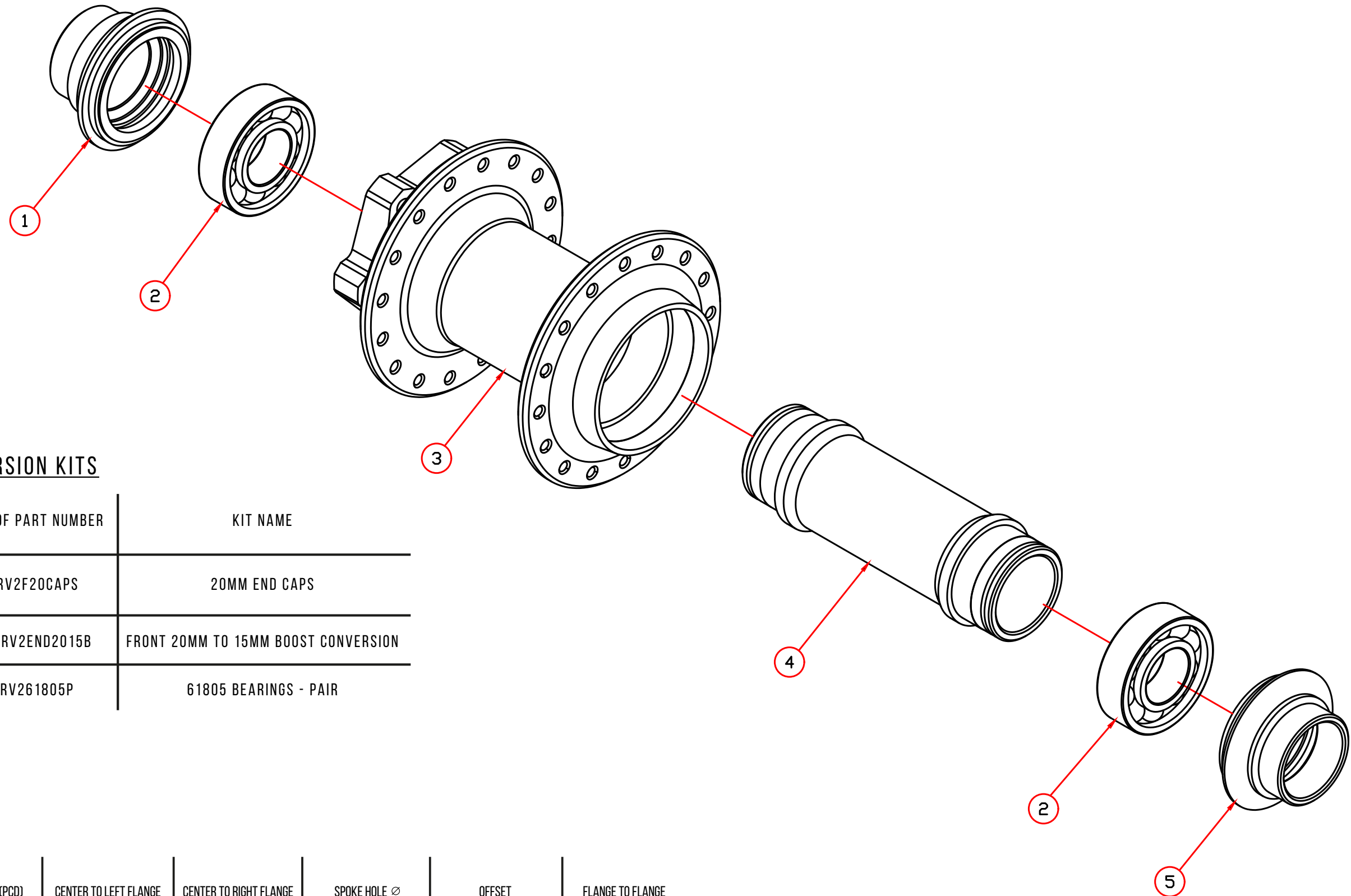
HUB DIMENSIONS

LEFT FLANGE Ø(PCD)	RIGHT FLANGE Ø(PCD)	CENTER TO LEFT FLANGE	CENTER TO RIGHT FLANGE	SPOKE HOLE Ø	OFFSET	FLANGE TO FLANGE
58	58	24.03	29.97	2.6	2.97	54



20MM BOOST HORIZON

ITEM	DESCRIPTION	QTY
1	CAP	1
2	BEARING (61805)	2
3	HUB SHELL	1
4	AXLE	1
5	CAP (R)	1



SPARE PARTS AND CONVERSION KITS

DIAGRAM PART NUMBERS	NUKEPROOF PART NUMBER	KIT NAME
1	NUKHORV2F20CAPS	20MM END CAPS
1	NUKHORV2END2015B	FRONT 20MM TO 15MM BOOST CONVERSION
2	NUKHORV261805P	61805 BEARINGS - PAIR

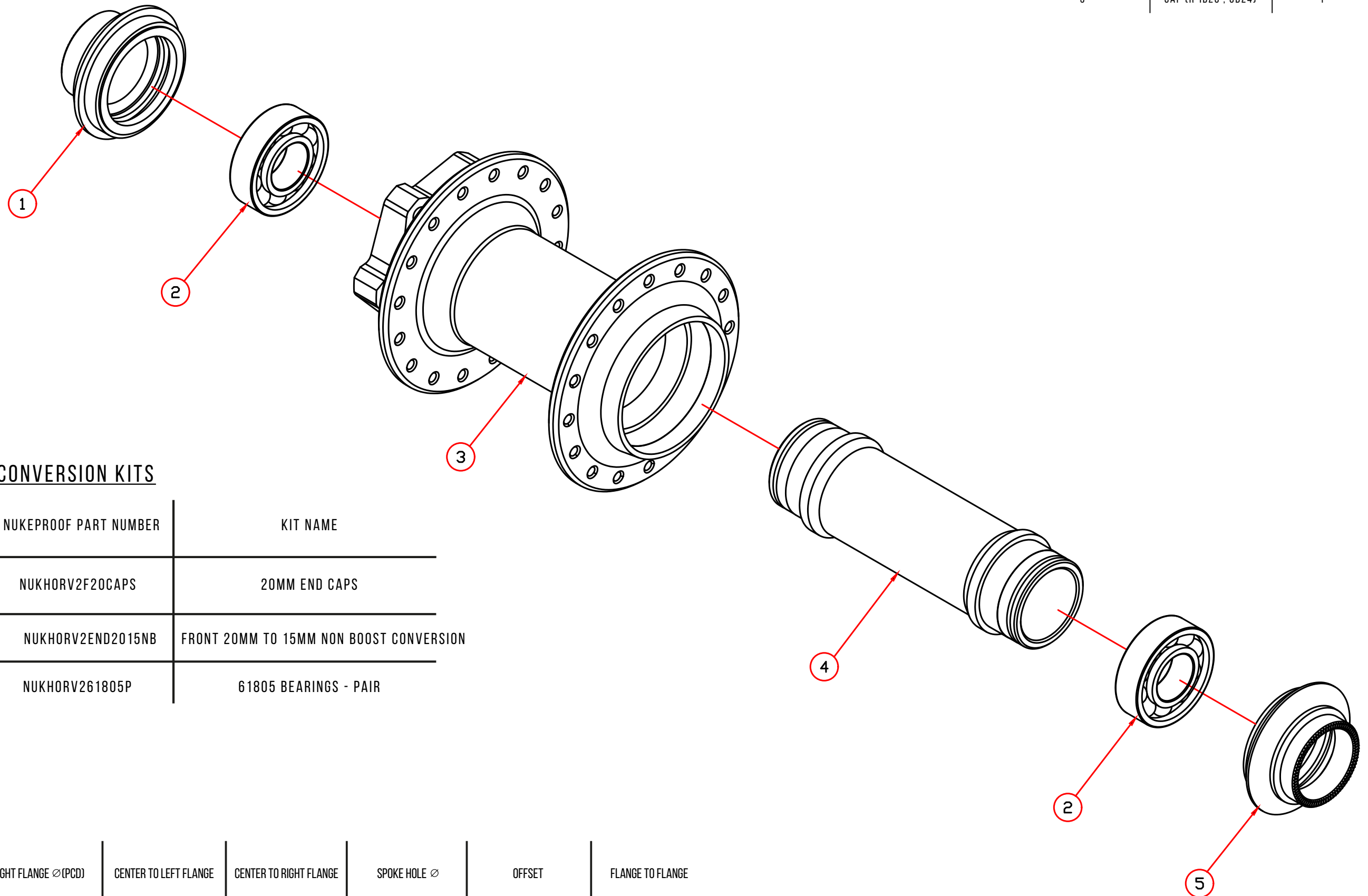
HUB DIMENSIONS

LEFT FLANGE \varnothing (PCD)	RIGHT FLANGE \varnothing (PCD)	CENTER TO LEFT FLANGE	CENTER TO RIGHT FLANGE	SPOKE HOLE \varnothing	OFFSET	FLANGE TO FLANGE
58	58	24.25	32.75	2.6	4.25	57



20MM NON BOOST HORIZON

ITEM	DESCRIPTION	QTY
1	CAP (L-ID20 , OD24)	1
2	BEARING (61805)	2
3	HUB SHELL	1
4	AXLE	1
5	CAP (R-ID20 , OD24)	1



SPARE PARTS AND CONVERSION KITS

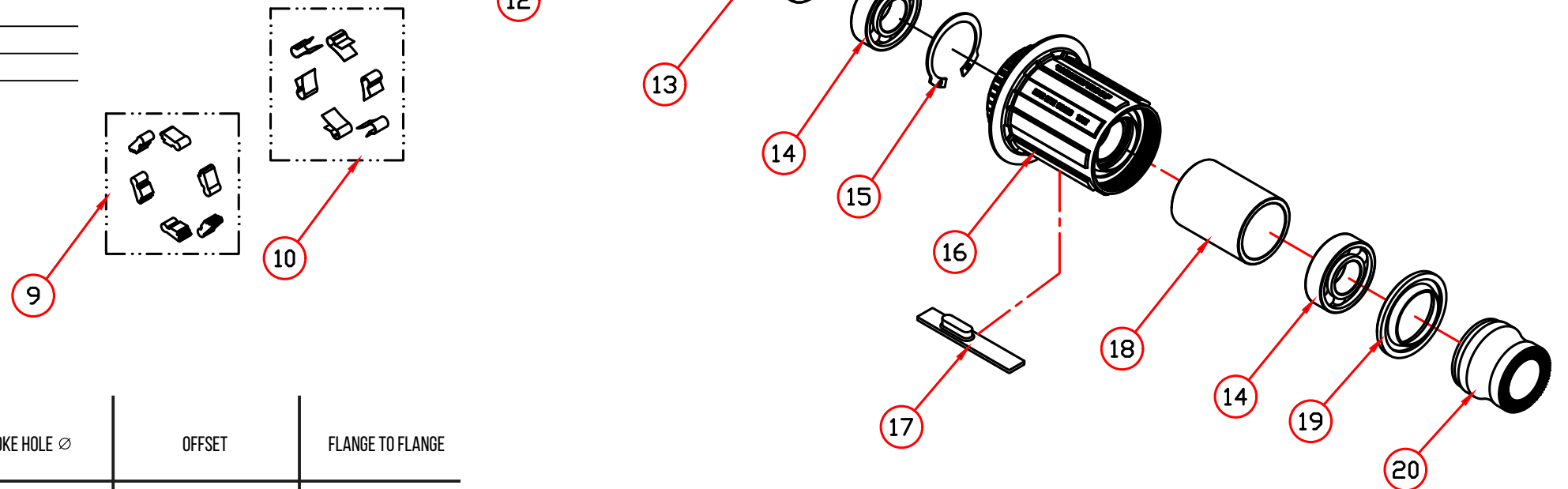
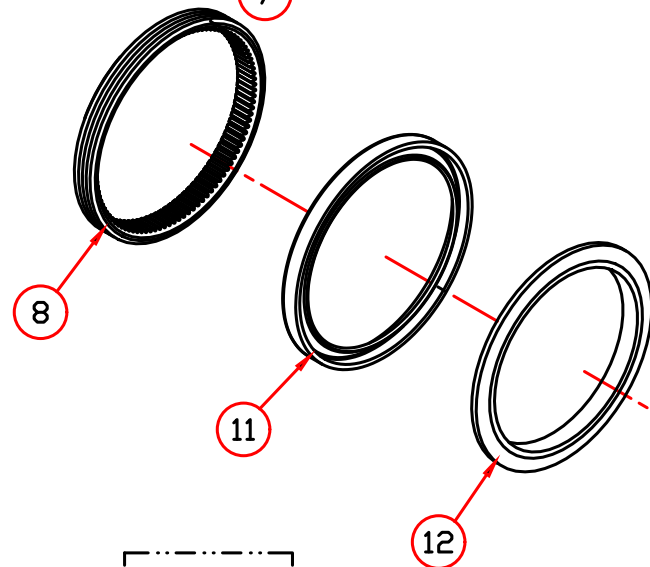
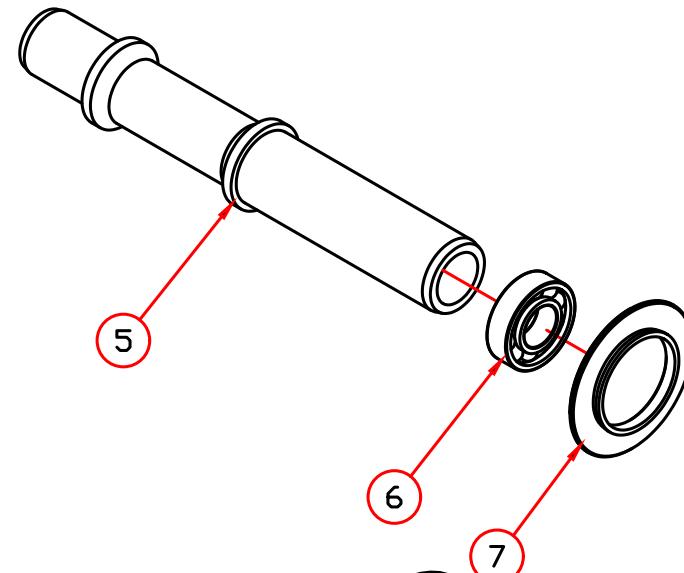
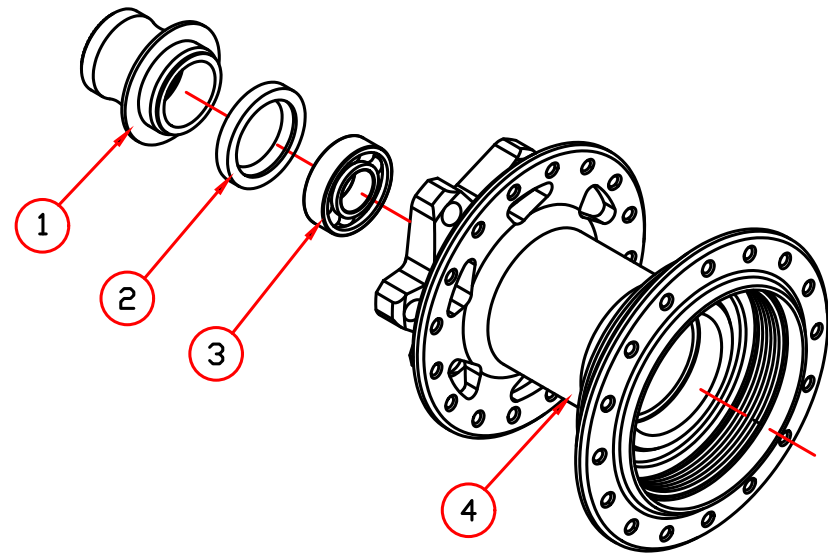
DIAGRAM PART NUMBERS	NUKEPROOF PART NUMBER	KIT NAME
1	NUKHORV2F20CAPS	20MM END CAPS
1	NUKHORV2END2015NB	FRONT 20MM TO 15MM NON BOOST CONVERSION
2	NUKHORV261805P	61805 BEARINGS - PAIR

HUB DIMENSIONS

LEFT FLANGE Ø(PCD)	RIGHT FLANGE Ø(PCD)	CENTER TO LEFT FLANGE	CENTER TO RIGHT FLANGE	SPOKE HOLE Ø	OFFSET	FLANGE TO FLANGE
58	58	29.05	35.95	2.6	3.45	65



142MM SHIMANO HG HORIZON



ITEM	DESCRIPTION	QTY
1	CAP (L)	1
2	INTERNAL SEAL	1
3	BEARING (6902)	1
4	HUB SHELL	1
5	AXLE	1
6	BEARING (17287)	1
7	WASHER	1
8	RATCHET RING	1
9	PAWL	6
10	SPRING	6
11	INTERNAL SEAL	1
12	WATERPROOF COVER	1
13	BUSHING	1
14	BEARING (17287)	2
15	CIRCLIP	1
16	CASSETTE BODY	1
17	ANTI-BITE	1
18	BUSHING	1
19	INTERNAL SEAL	1
20	CAP (R)	

SPARE PARTS AND CONVERSION KITS

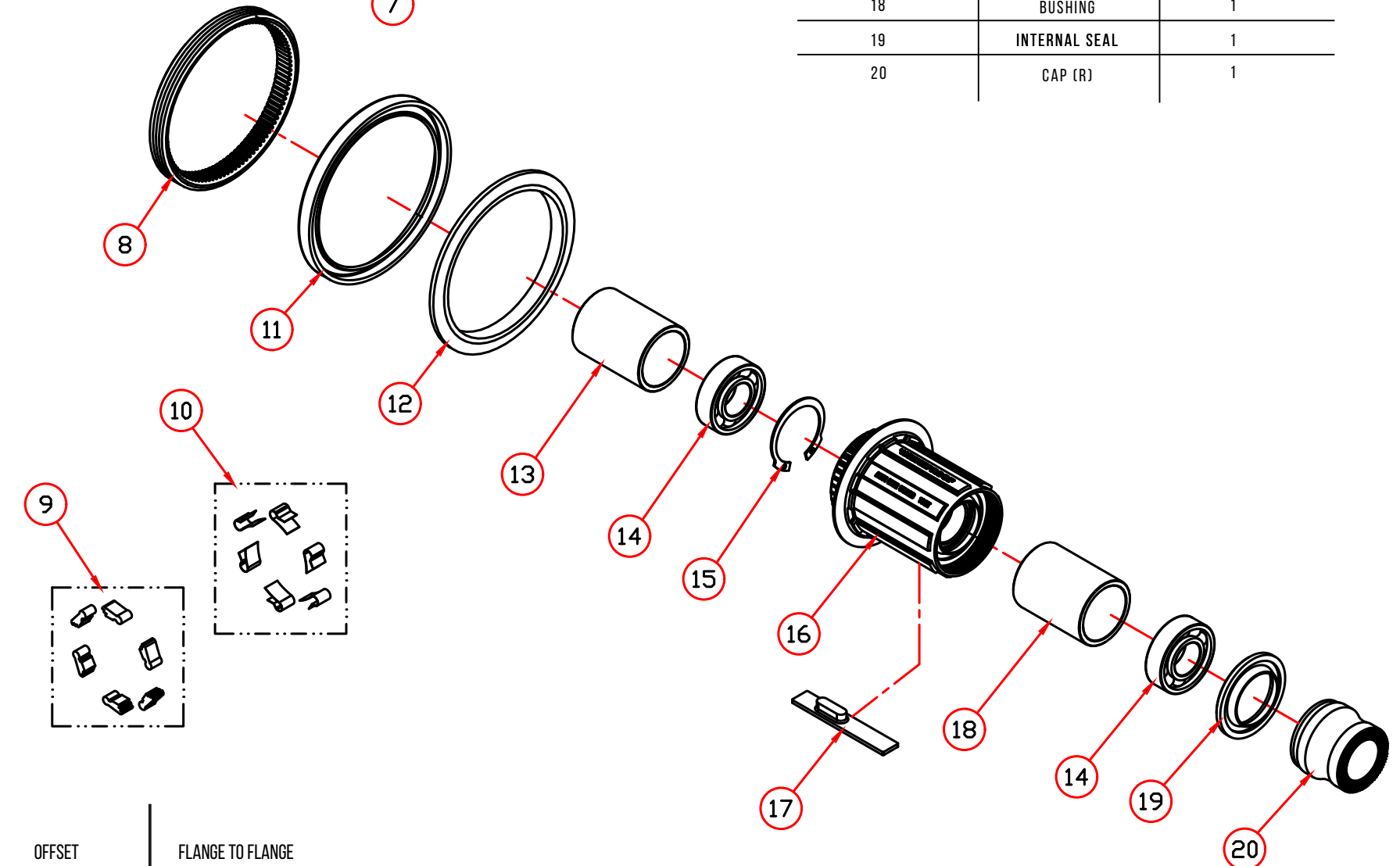
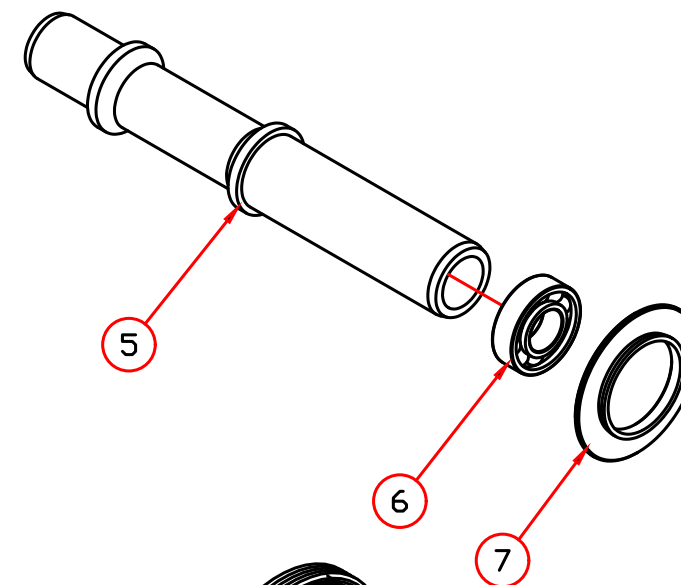
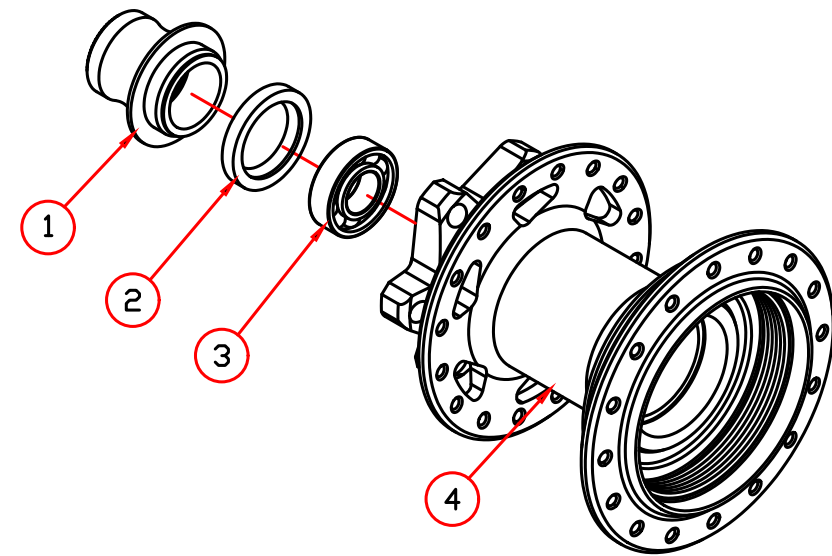
DIAGRAM PART NUMBERS	NUKEPROOF PART NUMBER	KIT NAME
1,20	NUKHORV2R135CAPS	HORIZON V2 END CAPS 135MM QR
1,20	NUKHORV2R148CAPS	HORIZON V2 END CAPS 142MM
2	NUKNDHUBSEAL	HORIZON V2 NON DRIVE HUB SEAL
3	NUKHORV2B6902	ENDURO 6902 ABEC 5 HUB BEARING
5	NUKHORV2142AXLE	HORIZON V2 142MM REAR AXLE
6	NUKHORV2B17287	ENDURO 17287 ABEC 5 HUB BEARING
7,9,10	NUKHORV2PSGOLD	PAWLS & SPRINGS - LOUD
7,9,10	NUKHORV2PSSIL	PAWLS & SPRINGS - QUIET
14	NUKHORV2B17287	ENDURO 17287 ABEC 5 HUB BEARING
9,10,11,12,13,14,15,16,17,18,19	NUKHORV2102TFHG	HORIZON V2 SHIMANO HG FREEHUB INC 1.85MM SPACER
N/A	NUKHORV2102TFXD	HORIZON V2 SRAM XD FREEHUB

HUB DIMENSIONS

LEFT FLANGE Ø(PCD)	RIGHT FLANGE Ø(PCD)	CENTER TO LEFT FLANGE	CENTER TO RIGHT FLANGE	SPOKE HOLE Ø	OFFSET	FLANGE TO FLANGE
58	64	19.49	34.81	2.6	7.66	54.3



148MM SHIMANO HG HORIZON



ITEM	DESCRIPTION	QTY
1	CAP (L)	1
2	INTERNAL SEAL	1
3	BEARING (6902)	1
4	HUB SHELL	1
5	AXLE	1
6	BEARING (17287)	1
7	WASHER	1
8	RATCHET RING	1
9	PAWL	6
10	SPRING	6
11	INTERNAL SEAL	1
12	WATERPROOF COVER	1
13	BUSHING	1
14	BEARING (17287)	2
15	CIRCLIP	1
16	CASSETTE BODY	1
17	ANTI-BITE	1
18	BUSHING	1
19	INTERNAL SEAL	1
20	CAP (R)	1

SPARE PARTS AND CONVERSION KITS

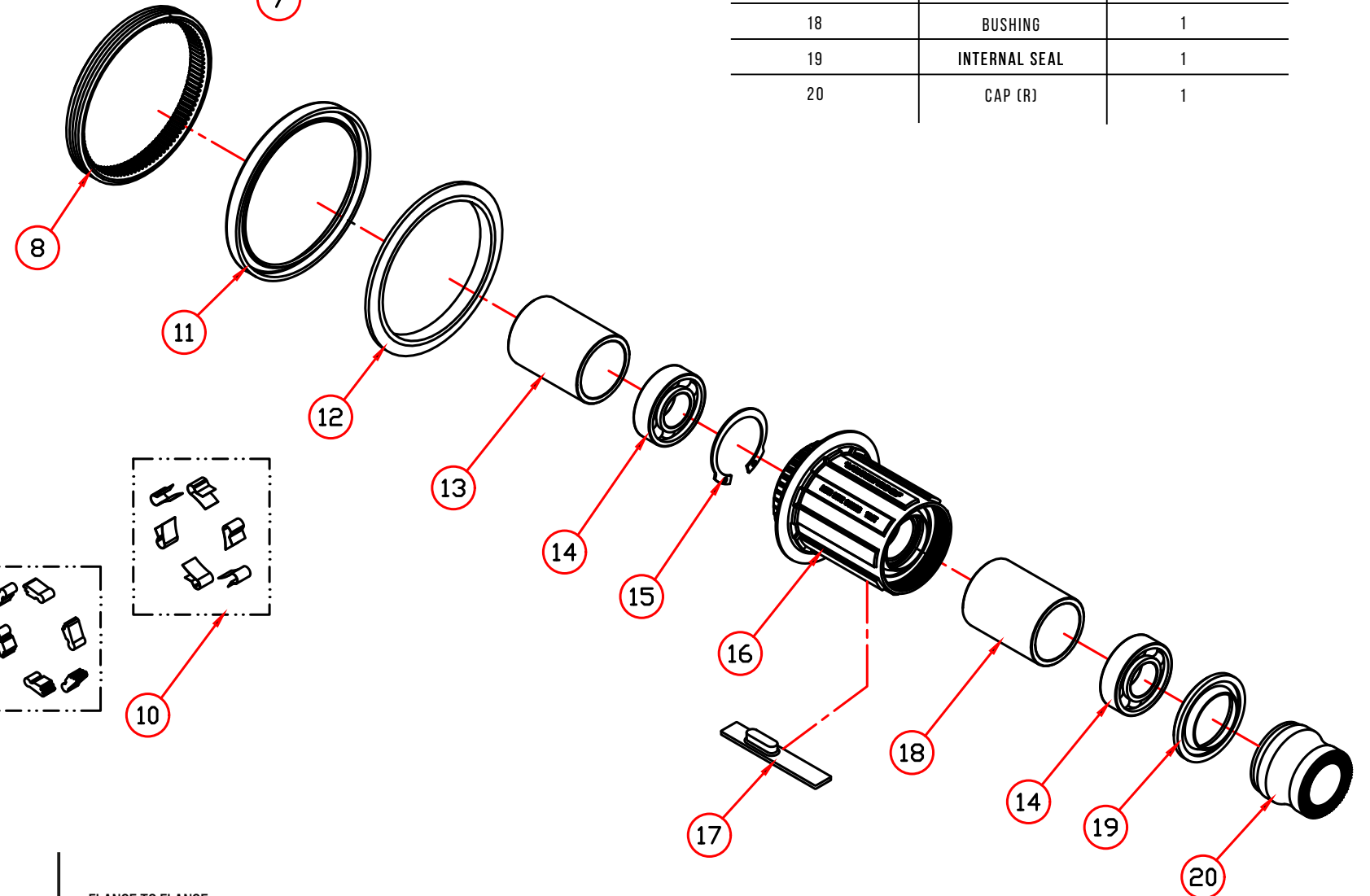
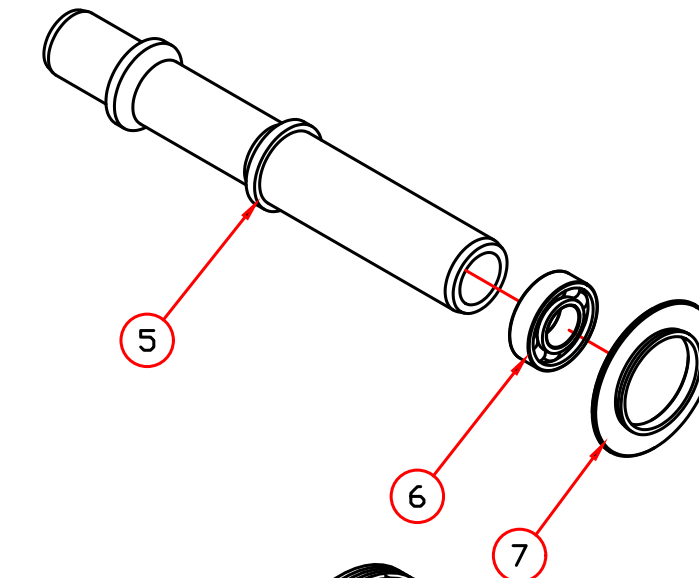
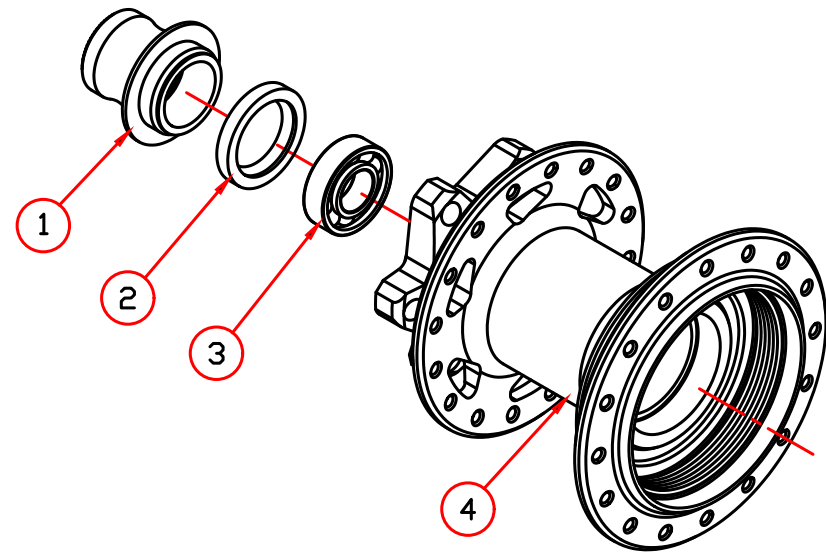
DIAGRAM PART NUMBERS	NUKEPROOF PART NUMBER	KIT NAME
1,20	NUKHORV2R141BCAPS	HORIZON V2 END CAPS 141MM BOOST QR
1,20	NUKHORV2R148CAPS	HORIZON V2 END CAPS 148MM
2	NUKNDHUBSEAL	HORIZON V2 NON DRIVE HUB SEAL
3	NUKHORV2B6902	ENDURO 6902 ABEC 5 HUB BEARING
5	NUKHORV2148AXLE	HORIZON V2 148MM REAR AXLE
6	NUKHORV2B17287	ENDURO 17287 ABEC 5 HUB BEARING
7,9,10	NUKHORV2PSGOLD	PAWLS & SPRINGS - LOUD
7,9,10	NUKHORV2PSSILL	PAWLS & SPRINGS - QUIET
14	NUKHORV2B17287	ENDURO 17287 ABEC 5 HUB BEARING
9,10,11,12,13,14,15,16,17,18,19	NUKHORV2102TFHG	HORIZON V2 SHIMANO HG FREEHUB INC 1.85MM SPACER
N/A	NUKHORV2102TFXD	HORIZON V2 SRAM XD FREEHUB

HUB DIMENSIONS

LEFT FLANGE Ø(PCD)	RIGHT FLANGE Ø(PCD)	CENTER TO LEFT FLANGE	CENTER TO RIGHT FLANGE	SPOKE HOLE Ø	OFFSET	FLANGE TO FLANGE
58	64	22.43	37.77	2.6	7.67	60.2



150MM SHIMANO HG HORIZON



ITEM	DESCRIPTION	QTY
1	CAP (L)	1
2	INTERNAL SEAL	1
3	BEARING (6902)	1
4	HUB SHELL	1
5	AXLE	1
6	BEARING (17287)	1
7	WASHER	1
8	RATCHET RING	1
9	PAWL	6
10	SPRING	6
11	INTERNAL SEAL	1
12	WATERPROOF COVER	1
13	BUSHING	1
14	BEARING (17287)	2
15	CIRCLIP	1
16	CASSETTE BODY	1
17	ANTI-BITE	1
18	BUSHING	1
19	INTERNAL SEAL	1
20	CAP (R)	1

SPARE PARTS AND CONVERSION KITS

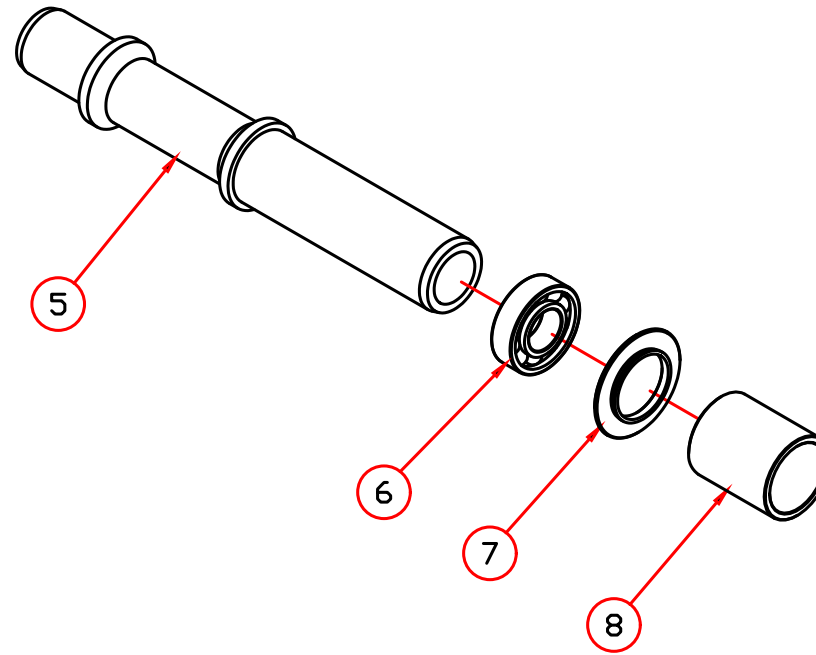
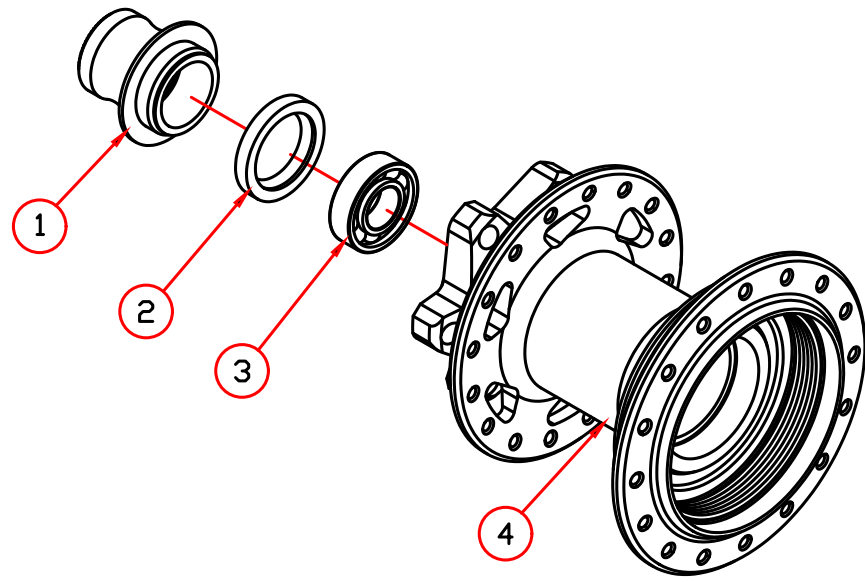
DIAGRAM PART NUMBERS	NUKEPROOF PART NUMBER	KIT NAME
1,20	NUKHORV2R150CAPS	HORIZON V2 END CAPS 150MM
1,20	NUKHORV2R148CAPS	HORIZON V2 END CAPS 157MM
2	NUKNDHUBSEAL	HORIZON V2 NON DRIVE HUB SEAL
3	NUKHORV2B6902	ENDURO 6902 ABEC 5 HUB BEARING
5	NUKHORV2150AXLE	HORIZON V2 150MM REAR AXLE
6	NUKHORV2B17287	ENDURO 17287 ABEC 5 HUB BEARING
7,9,10	NUKHORV2PSGOLD	PAWLS & SPRINGS - LOUD
7,9,10	NUKHORV2PSSIL	PAWLS & SPRINGS - QUIET
14	NUKHORV2B17287	ENDURO 17287 ABEC 5 HUB BEARING
9,10,11,12,13,14,15,16,17,18,19	NUKHORV2102TFHG	HORIZON V2 SHIMANO HG FREEHUB INC 1.85MM SPACER
N/A	NUKHORV2102TFXD	HORIZON V2 SRAM XD FREEHUB

HUB DIMENSIONS

LEFT FLANGE Ø(PCD)	RIGHT FLANGE Ø(PCD)	CENTER TO LEFT FLANGE	CENTER TO RIGHT FLANGE	SPOKE HOLE Ø	OFFSET	FLANGE TO FLANGE
58	64	25.17	43.73	2.6	9.28	68.9



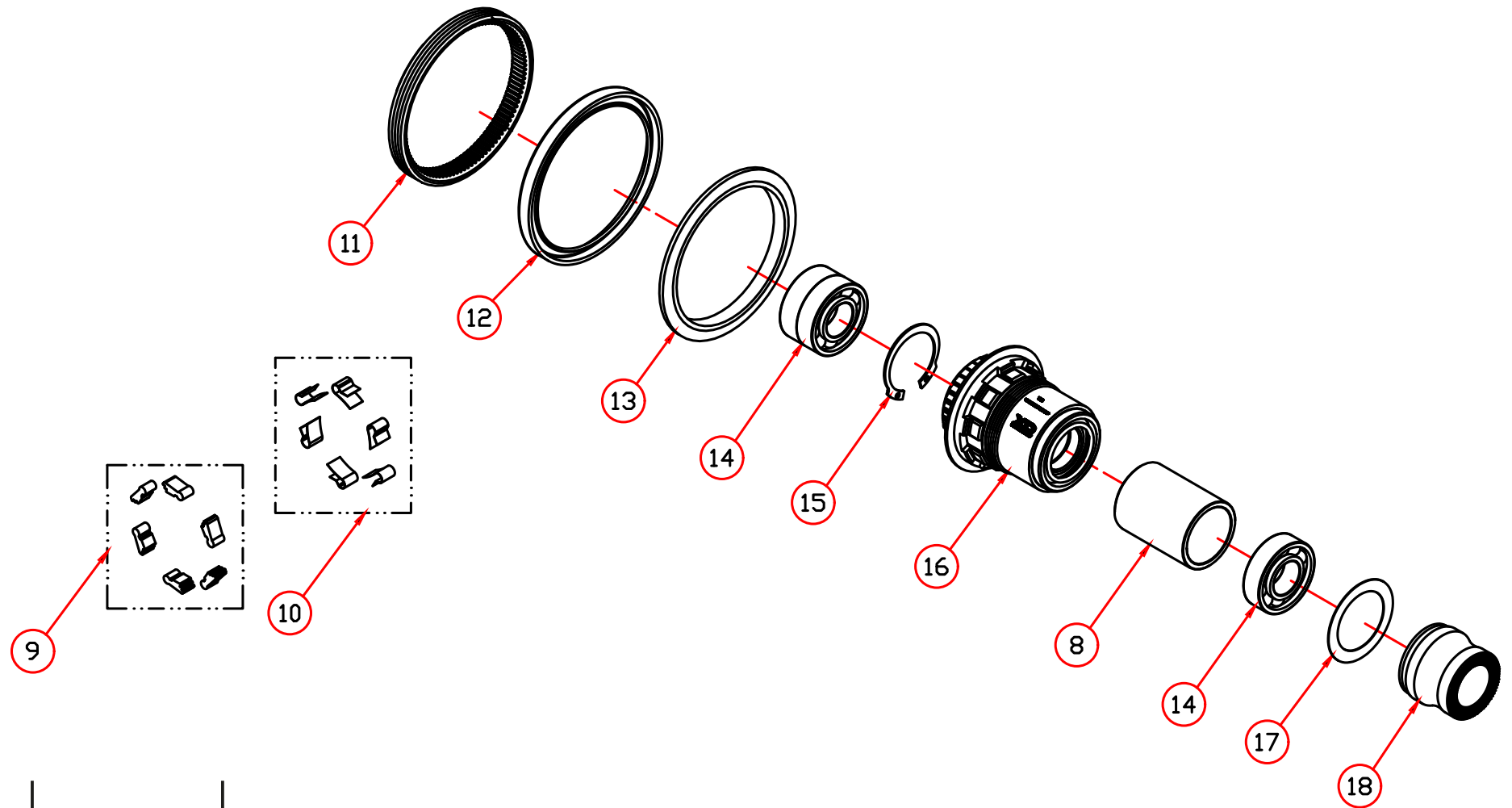
148MM SRAM XD HORIZON



ITEM	DESCRIPTION	QTY
1	CAP (L)	1
2	INTERNAL SEAL	1
3	BEARING (6902)	1
4	HUB SHELL	1
5	AXLE	1
6	BEARING (17287)	1
7	WASHER	1
8	BUSHING	2
9	RATCHET RING	1
10	PAWL	6
11	SPRING	6
12	INTERNAL SEAL	1
13	WATERPROOF COVER	1
14	BEARING (6803)	3
15	CIRCLIP	1
16	CASSETTE BODY	1
17	WASHER	1
18	CAP (R)	1

SPARE PARTS AND CONVERSION KITS

DIAGRAM PART NUMBERS	NUKEPROOF PART NUMBER	KIT NAME
1,20	NUKHORV2R141BCAPS	HORIZON V2 END CAPS 141MM BOOST QR
1,20	NUKHORV2R148CAPS	HORIZON V2 END CAPS 148MM
2	NUKNDHUBSEAL	HORIZON V2 NON DRIVE HUB SEAL
3	NUKHORV2B6902	ENDURO 6902 ABEC 5 HUB BEARING
5	NUKHORV2148AXLE	HORIZON V2 148MM REAR AXLE
6	NUKHORV2B17287	ENDURO 17287 ABEC 5 HUB BEARING
7,9,10	NUKHORV2PSGOLD	PAWLS & SPRINGS - LOUD
7,9,10	NUKHORV2PSSIL	PAWLS & SPRINGS - QUIET
14	NUKHORV2B17287	ENDURO 17287 ABEC 5 HUB BEARING
9,10,11,12,13,14,15,16,17,18,19	NUKHORV2102TXD	HORIZON V2 SRAM XD FREEHUB
N/A	NUKHORV2102TFHG	HORIZON V2 SHIMANO HG FREEHUB INC 1.85MM SPACER

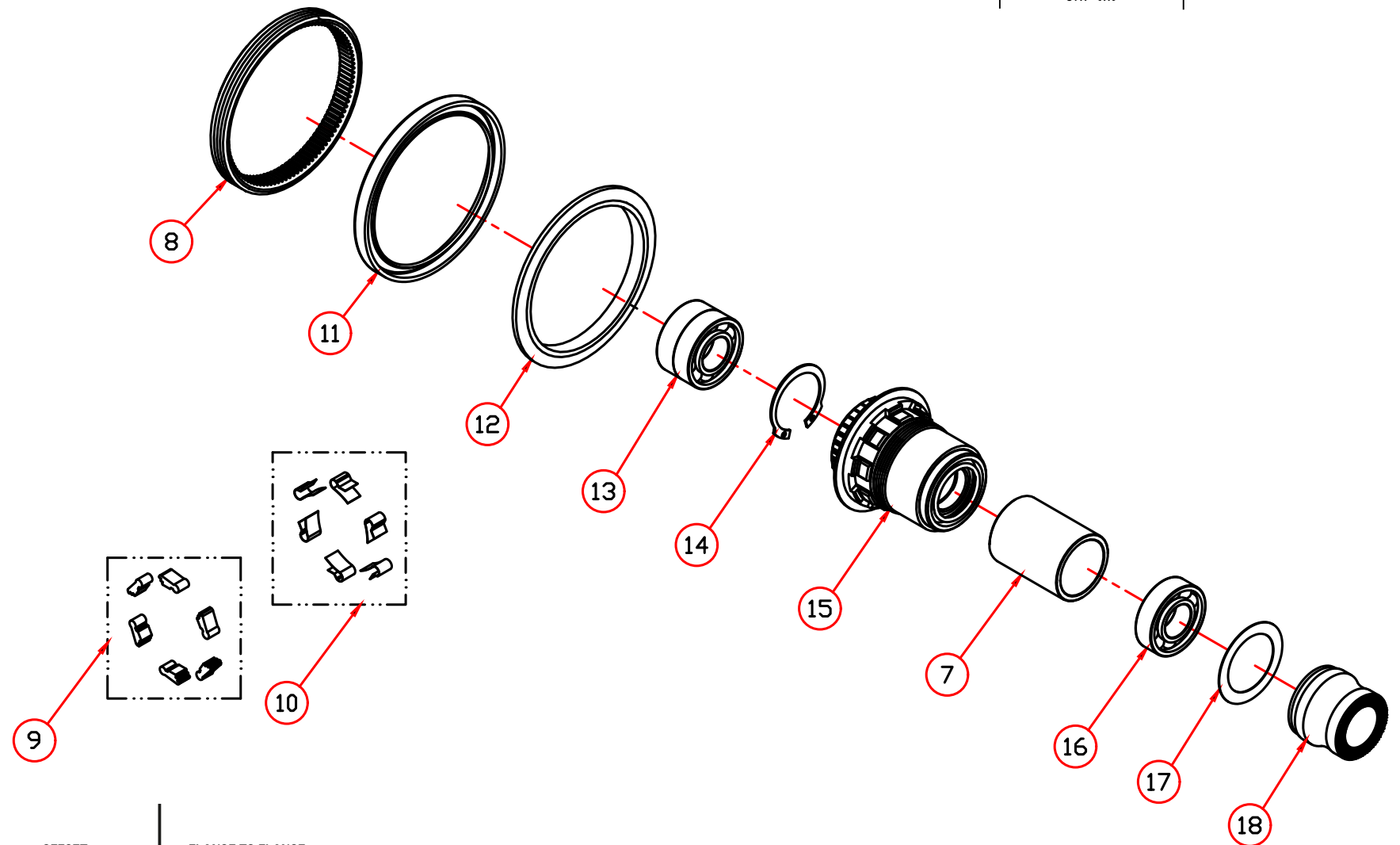
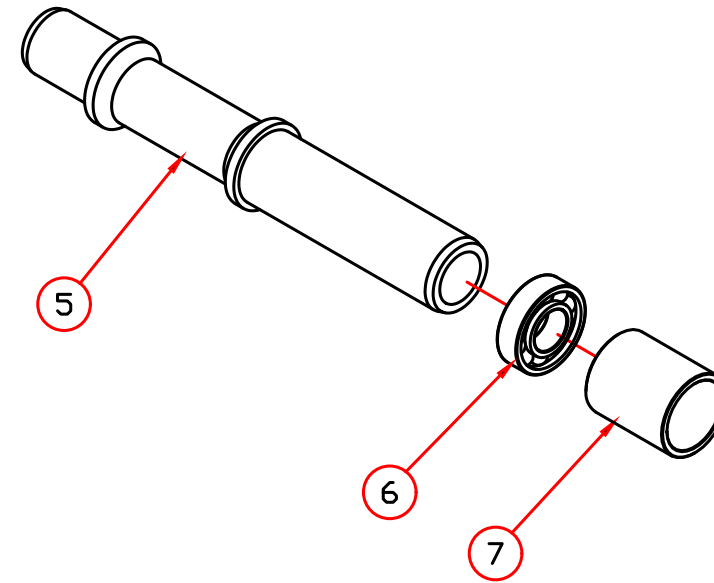
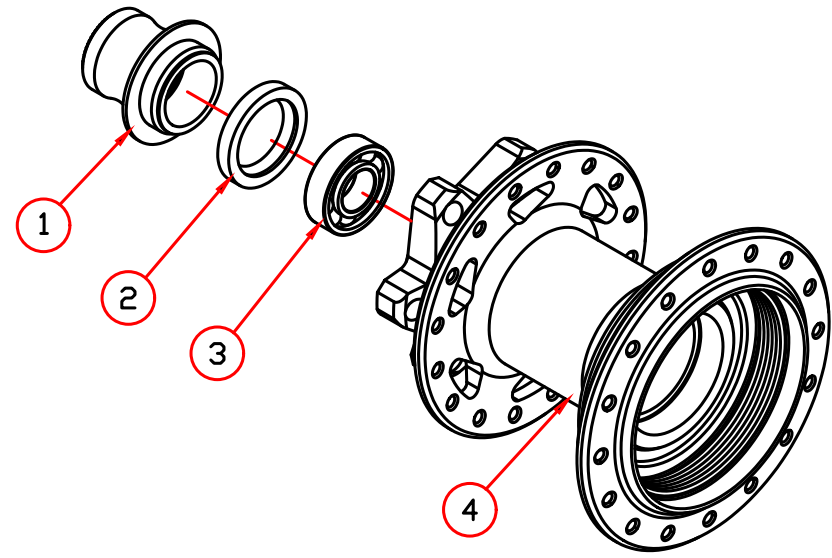


HUB DIMENSIONS

LEFT FLANGE Ø(PCD)	RIGHT FLANGE Ø(PCD)	CENTER TO LEFT FLANGE	CENTER TO RIGHT FLANGE	SPOKE HOLE Ø	OFFSET	FLANGE TO FLANGE
58	64	22.43	37.77	2.6	7.67	60.2



150MM SRAM XD HORIZON



ITEM	DESCRIPTION	QTY
1	CAP (L)	1
2	INTERNAL SEAL	1
3	BEARING (6902)	1
4	HUB SHELL	1
5	AXLE	1
6	BEARING (17287)	1
7	BUSHING	2
8	RATCHER RING	1
9	PAWL	6
10	SPRING	6
11	INTERNAL SEAL	1
12	WATERPROOF COVER	1
13	BEARING (6803)	3
14	CASSETTE BODY	1
15	CIRCLIP	1
16	WASHER	1
17	INTERNAL SEAL	1
18	CAP (R)	1

SPARE PARTS AND CONVERSION KITS

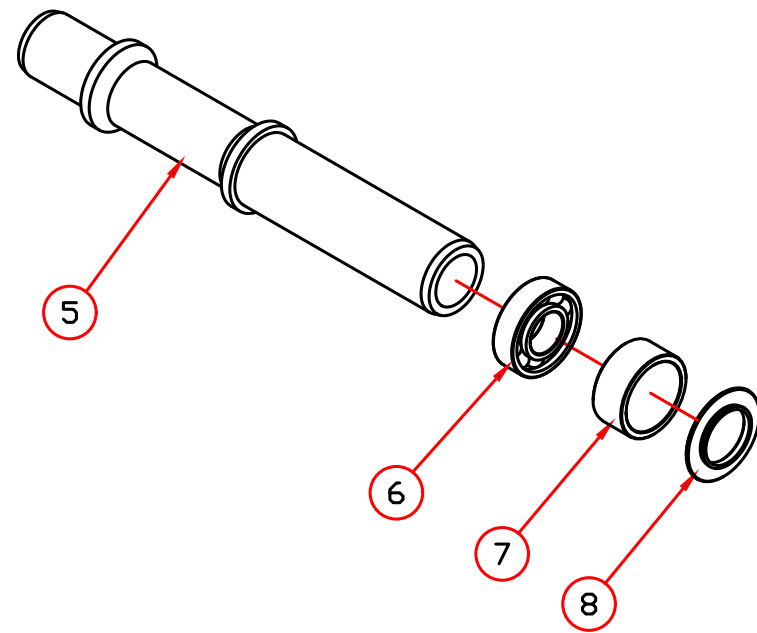
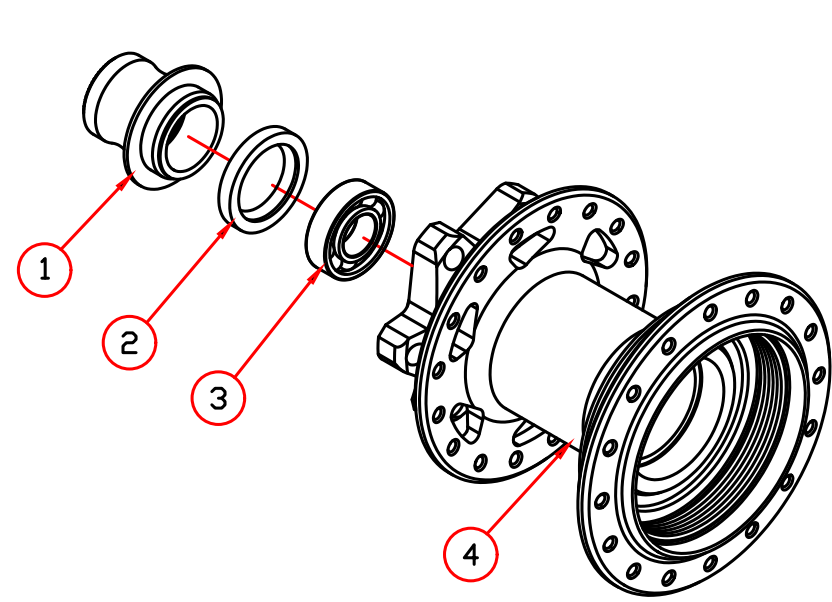
DIAGRAM PART NUMBERS	NUKEPROOF PART NUMBER	KIT NAME
1,20	NUKHORV2R150CAPS	HORIZON V2 END CAPS 150MM
1,20	NUKHORV2R148CAPS	HORIZON V2 END CAPS 157MM
2	NUKNDHUBSEAL	HORIZON V2 NON DRIVE HUB SEAL
3	NUKHORV2B6902	ENDURO 6902 ABEC 5 HUB BEARING
5	NUKHORV2150AXLE	HORIZON V2 150MM REAR AXLE
6	NUKHORV2B17287	ENDURO 17287 ABEC 5 HUB BEARING
9,10	NUKHORV2PSGOLD	PAWLS & SPRINGS - LOUD
9,10	NUKHORV2PSSIL	PAWLS & SPRINGS - QUIET
14	NUKHORV2B17287	ENDURO 17287 ABEC 5 HUB BEARING
9,10,11,12,13,14,15,16,17,18,19	NUKHORV2102TXD	HORIZON V2 SRAM XD FREEHUB
N/A	NUKHORV2102TFHG	HORIZON V2 SHIMANO HG FREEHUB INC 1.85MM SPACER

HUB DIMENSIONS

LEFT FLANGE Ø(PCD)	RIGHT FLANGE Ø(PCD)	CENTER TO LEFT FLANGE	CENTER TO RIGHT FLANGE	SPOKE HOLE Ø	OFFSET	FLANGE TO FLANGE
58	64	25.17	43.73	2.6	9.28	68.9



148MM SHIMANO MICROSPLINE HORIZON



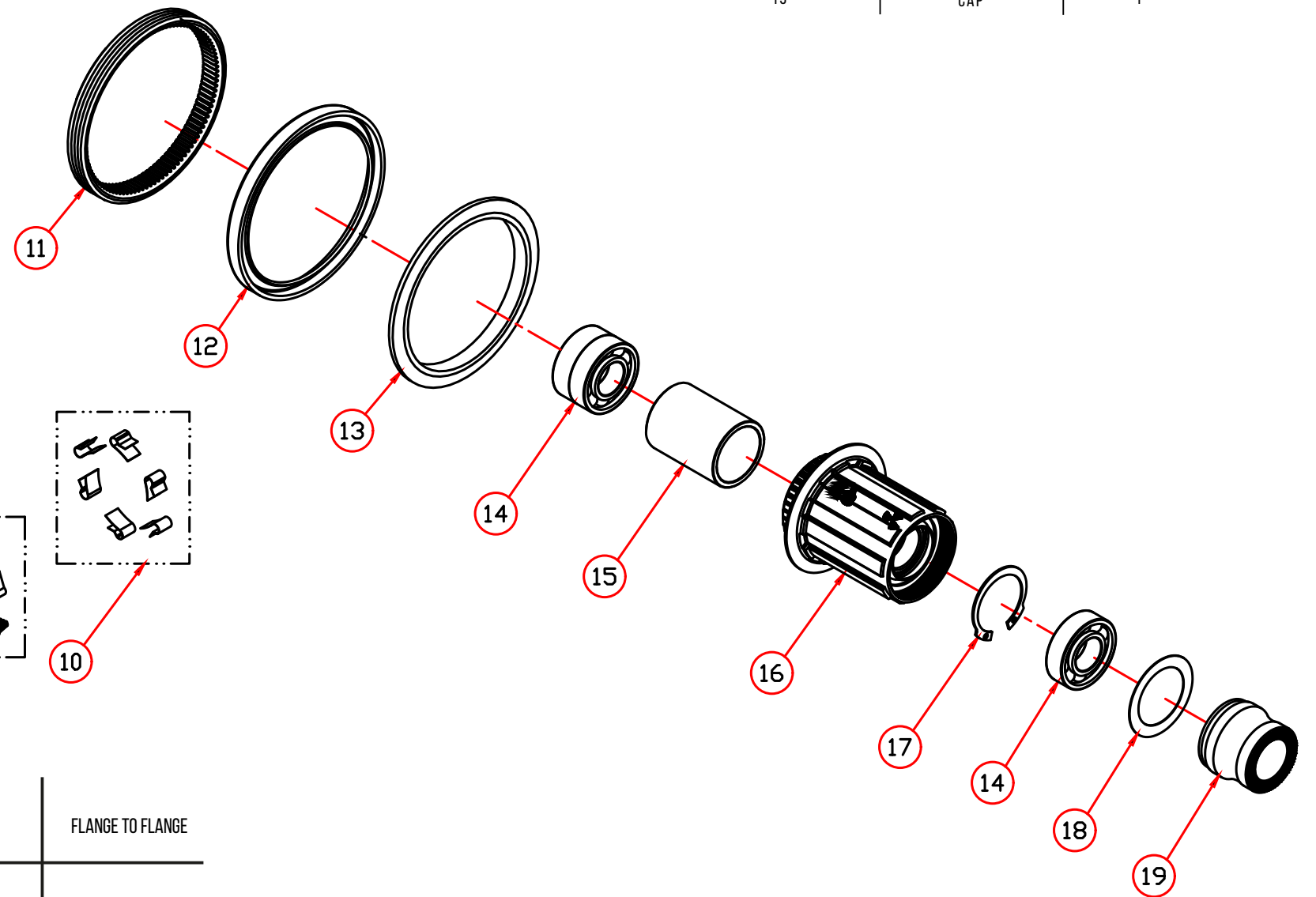
ITEM	DESCRIPTION	QTY
1	CAP (L)	1
2	INTERNAL SEAL	1
3	BEARING (6902)	1
4	HUB SHELL	1
5	AXLE	1
6	BEARING (17287)	1
7	BUSHING	2
8	POM	1
9	PAWL	6
10	SPRING	6
11	RATCHET RING	1
12	INTERNAL SEAL	1
13	WATERPROOF COVER	1
14	BEARING (6803)	3
15	BUSHING	1
16	CASSETTE BODY	1
17	CIRCLIP	1
18	WASHER	1
19	CAP	1

SPARE PARTS AND CONVERSION KITS

DIAGRAM PART NUMBERS	NUKEPROOF PART NUMBER	KIT NAME
2	NUKNDHUBSEAL	HORIZON V2 NON DRIVE HUB SEAL
3	NUKHORV2B6902	ENDURO 6902 ABEC 5 HUB BEARING
5	NUKHORV2148AXLE	HORIZON V2 148MM REAR AXLE
6	NUKHORV2B17287	ENDURO 17287 ABEC 5 HUB BEARING
8,9,10	NUKHORV2PSGOLD	PAWLS & SPRINGS - LOUD
8,9,10	NUKHORV2PSSIL	PAWLS & SPRINGS - QUIET
14	NUKHORV2B17287	ENDURO 17287 ABEC 5 HUB BEARING
9,10,11,12,13,14,15,16,17,18,19	NUKHORV2102TMS	HORIZON V2 SHIMANO MICROSPLINE FREEHUB

TO CONVERT A MICROSPLINE HUB TO SHIMANO HG OR SRAM XD YOU WILL NEED THE FREEHUB AND STANDARD 148MM END CAPS

NUKHORV2102TXD OR	HORIZON V2 SRAM XD FREEHUB
NUKHORV2102TFHG WITH	HORIZON V2 SHIMANO HG FREEHUB INC 1.85MM SPACER
NUKHORV2R148CAPS	HORIZON V2 END CAPS 148MM



HUB DIMENSIONS

LEFT FLANGE Ø(PCD)	RIGHT FLANGE Ø(PCD)	CENTER TO LEFT FLANGE	CENTER TO RIGHT FLANGE	SPOKE HOLE Ø	OFFSET	FLANGE TO FLANGE
58	64	22.43	37.77	2.6	7.67	60.2



HORIZON V2 SPOKE LENGTHS AND ERD

NUKEPROOF PART NUMBER	WHEEL	WHEEL SIZE	HUB SPACING	NON DRIVE SIDE SPOKE LENGTH	DRIVESIDE SPOKE LENGTH
NUKHORV215NB275	HORIZON V2 FRONT WHEEL	27.5"	15X100MM NON BOOST	269	270
NUKHORV215B275	HORIZON V2 FRONT WHEEL	27.5"	15X110MM BOOST	269	270
NUKHORV220NB275	HORIZON V2 FRONT WHEEL	27.5"	20X110MM NON BOOST	269	270
NUKHORV220B275	HORIZON V2 FRONT WHEEL	27.5"	20X110MM BOOST	269	270
NUKHORV2275142HG	HORIZON V2 REAR WHEEL 102T	27.5"	142MM X 12MM HG	271	268
NUKHORV2275148HG	HORIZON V2 REAR WHEEL 102T	27.5"	148MM X 12MM HG	271	268
NUKHORV2275148XD	HORIZON V2 REAR WHEEL 102T	27.5"	148MM X 12MM XD	271	268
NUKHORV2275148MS	HORIZON V2 REAR WHEEL 102T	27.5"	148MM X 12MM MS	271	268
NUKHORV2275150HG	HORIZON V2 REAR WHEEL 102T	27.5"	150/157MM X 12MM HG	271	268
NUKHORV2275150XD	HORIZON V2 REAR WHEEL 102T	27.5"	150/157MM X 12MM XD	271	268
NUKHORV215NB29	HORIZON V2 FRONT WHEEL	29"	15X100MM NON BOOST	288	289
NUKHORV215B29	HORIZON V2 FRONT WHEEL	29"	15X110MM BOOST	288	289
NUKHORV220NB29	HORIZON V2 FRONT WHEEL	29"	20X110MM NON BOOST	288	289
NUKHORV220B29	HORIZON V2 FRONT WHEEL	29"	20X110MM BOOST	288	289
NUKHORV229142HG	HORIZON V2 REAR WHEEL 102T	29"	142MM X 12MM XD	289	286
NUKHORV229148HG	HORIZON V2 REAR WHEEL 102T	29"	148MM X 12MM HG	289	286
NUKHORV229148XD	HORIZON V2 REAR WHEEL 102T	29"	148MM X 12MM XD	289	286
NUKHORV229148MS	HORIZON V2 REAR WHEEL 102T	29"	148MM X 12MM MS	289	286
NUKHORV229150HG	HORIZON V2 REAR WHEEL 102T	29"	150/157MM X 12MM HG	289	286
NUKHORV229150XD	HORIZON V2 REAR WHEEL 102T	29"	150/157MM X 12MM XD	289	286

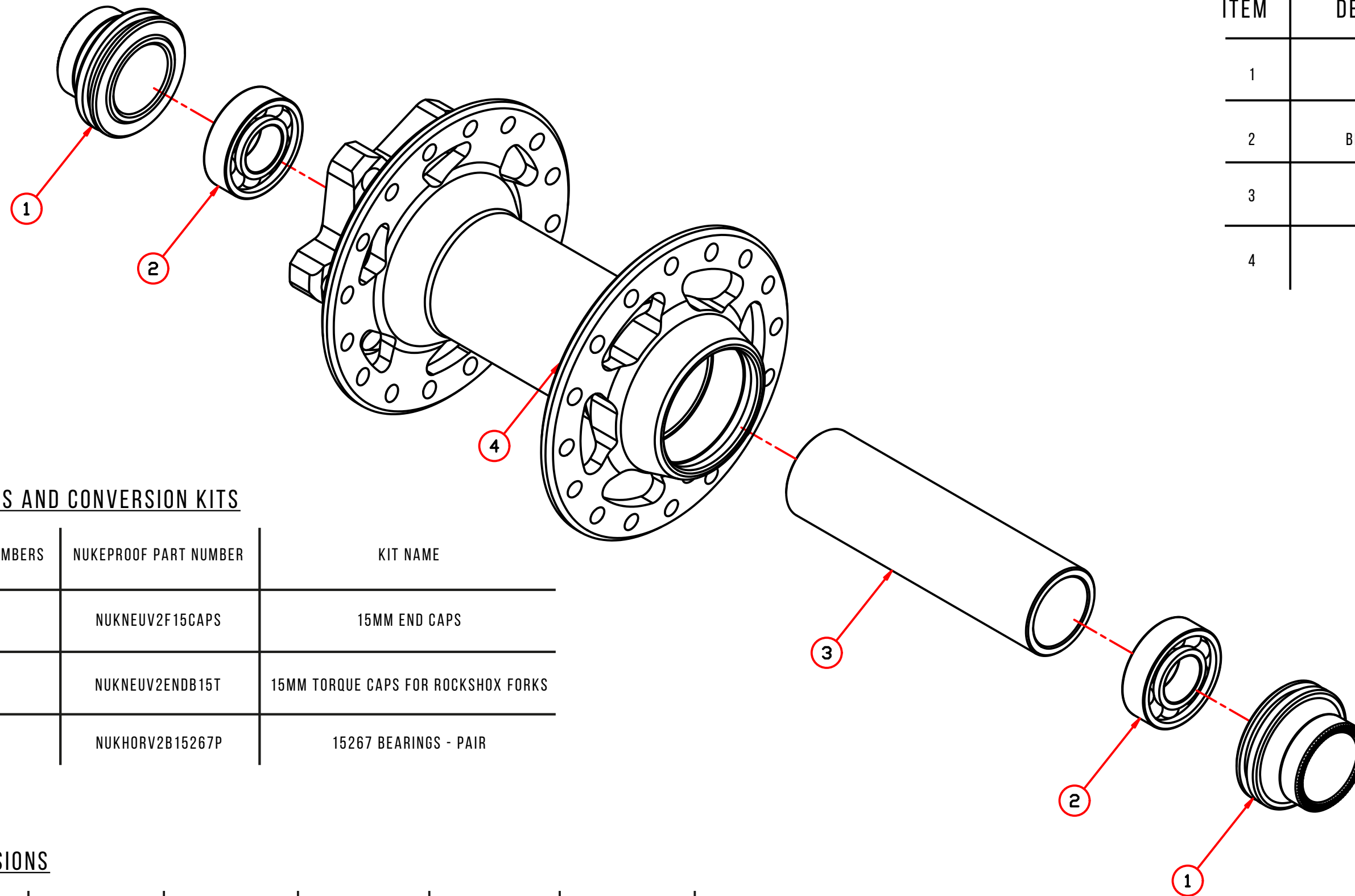
WHEEL	RIM	ERD
HORIZON V2 RIM	27.5" FRONT	554.5
HORIZON V2 RIM	27.5" REAR	554.3
HORIZON V2 RIM	29" FRONT	592.5
HORIZON V2 RIM	29" REAR	592.3

NEUTRON



NUKEPROOF

15MM BOOST NEUTRON



ITEM	DESCRIPTION	QTY
1	CAP	2
2	BEARING (15267)	2
3	BUSHING	1
4	HUB SHELL	1

SPARE PARTS AND CONVERSION KITS

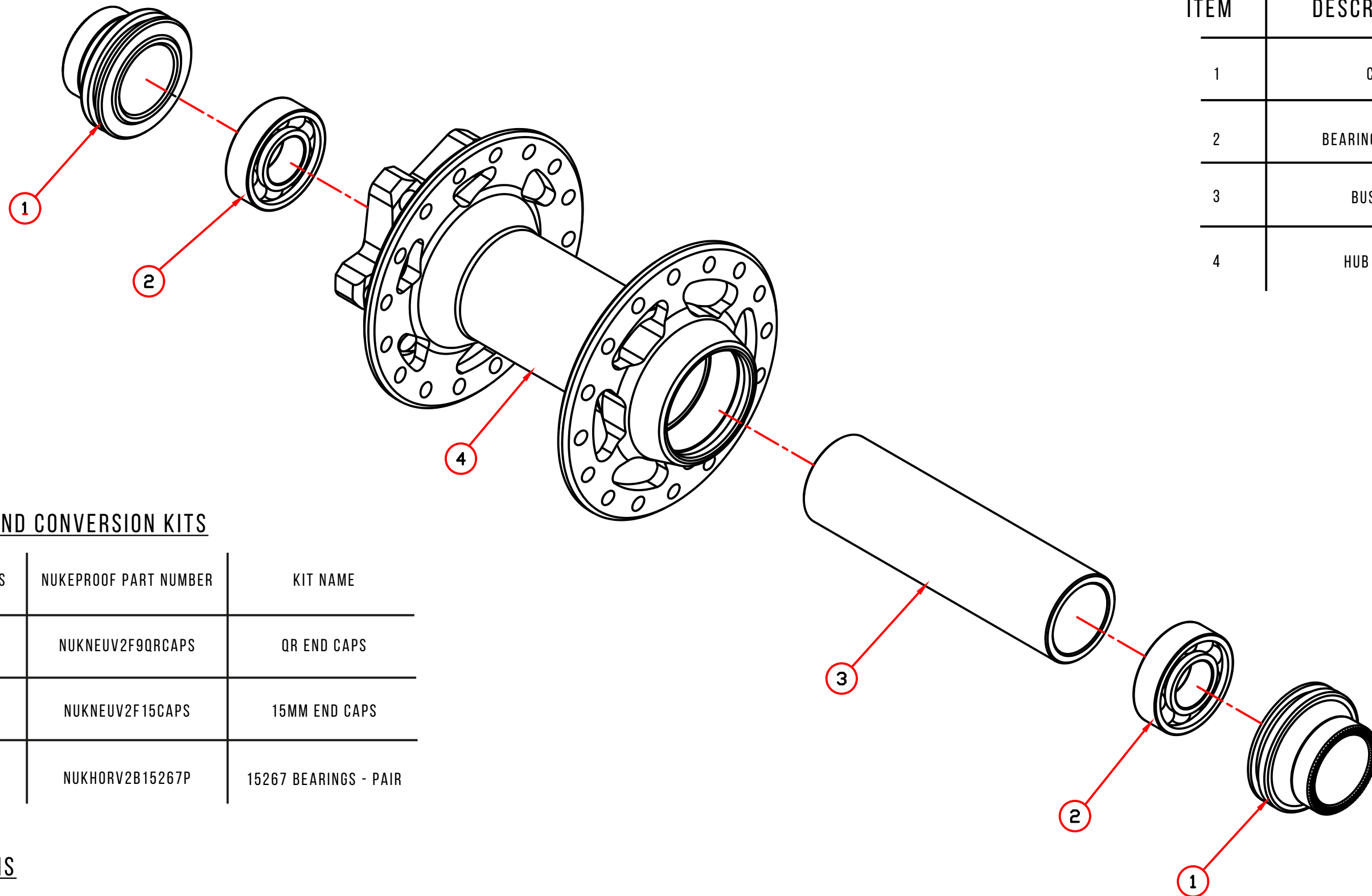
DIAGRAM PART NUMBERS	NUKEPROOF PART NUMBER	KIT NAME
1	NUKNEUV2F15CAPS	15MM END CAPS
1	NUKNEUV2ENDB15T	15MM TORQUE CAPS FOR ROCKSHOX FORKS
2	NUKHORV2B15267P	15267 BEARINGS - PAIR

HUB DIMENSIONS

LEFT FLANGE Ø (PCD)	RIGHT FLANGE Ø (PCD)	CENTER TO LEFT FLANGE	CENTER TO RIGHT FLANGE	SPOKE HOLE Ø	OFFSET	FLANGE TO FLANGE
58	58	29.03	34.97	2.6	2.97	64

NUKEPROOF

15MM NON BOOST NEUTRON



ITEM	DESCRIPTION	QTY
1	CAP	2
2	BEARING (15267)	2
3	BUSHING	1
4	HUB SHELL	1

SPARE PARTS AND CONVERSION KITS

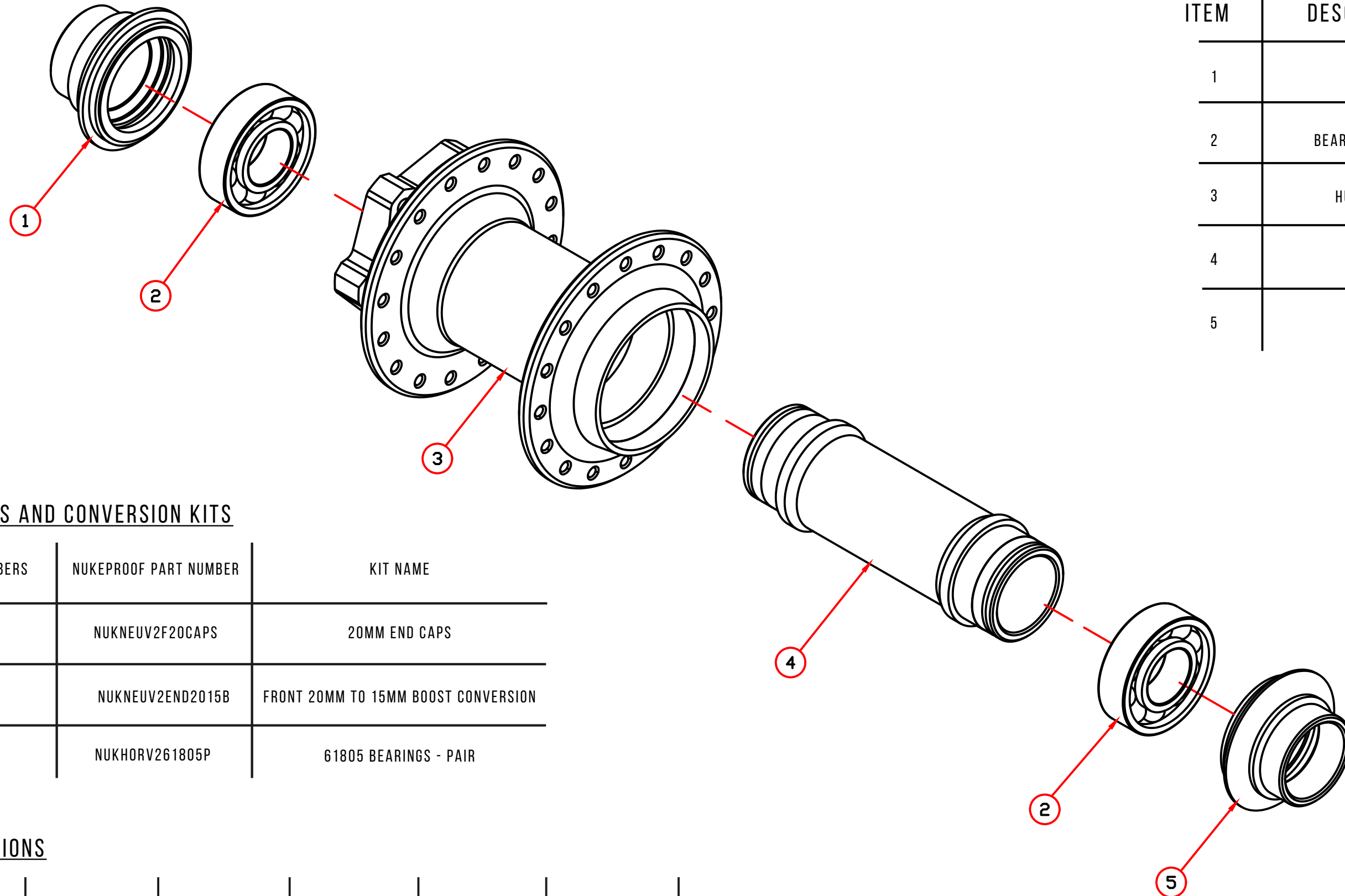
DIAGRAM PART NUMBERS	NUKEPROOF PART NUMBER	KIT NAME
1	NUKNEUV2F9QRCAPS	QR END CAPS
1	NUKNEUV2F15CAPS	15MM END CAPS
2	NUKHORV2B15267P	15267 BEARINGS - PAIR

HUB DIMENSIONS

LEFT FLANGE Ø(PCD)	RIGHT FLANGE Ø(PCD)	CENTER TO LEFT FLANGE	CENTER TO RIGHT FLANGE	SPOKE HOLE Ø	OFFSET	FLANGE TO FLANGE
58	58	24.03	29.97	2.6	2.97	54

NUKEPROOF

20MM BOOST NEUTRON



ITEM	DESCRIPTION	QTY
1	CAP	1
2	BEARING (61805)	2
3	HUB SHELL	1
4	AXLE	1
5	CAP (9)	1

SPARE PARTS AND CONVERSION KITS

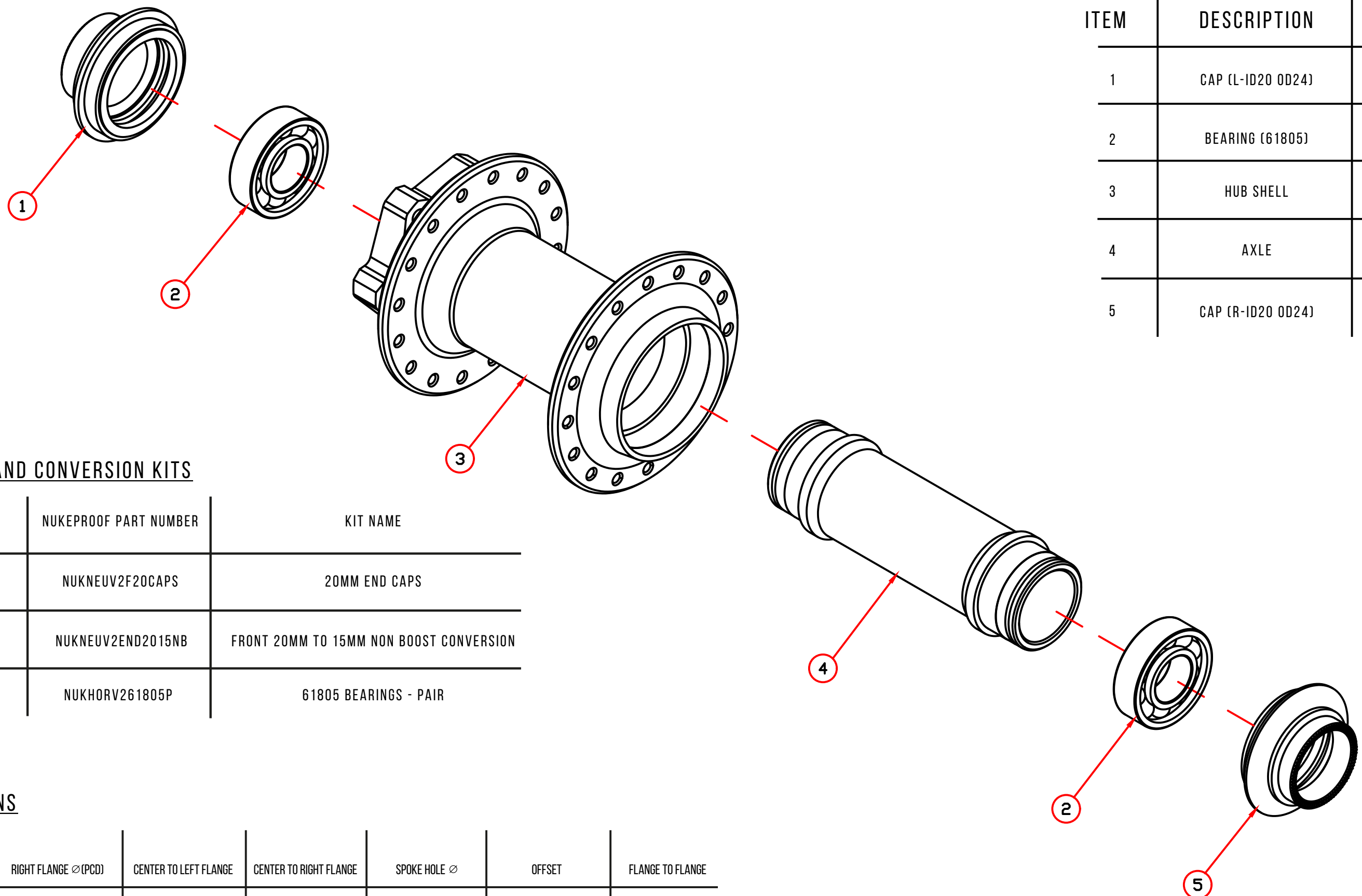
DIAGRAM PART NUMBERS	NUKEPROOF PART NUMBER	KIT NAME
1	NUKNEUV2F20CAPS	20MM END CAPS
1	NUKNEUV2END2015B	FRONT 20MM TO 15MM BOOST CONVERSION
2	NUKHORV261805P	61805 BEARINGS - PAIR

HUB DIMENSIONS

LEFT FLANGE Ø(PCD)	RIGHT FLANGE Ø(PCD)	CENTER TO LEFT FLANGE	CENTER TO RIGHT FLANGE	SPOKE HOLE Ø	OFFSET	FLANGE TO FLANGE
58	58	24.25	32.75	2.6	4.25	57

NUKEPROOF

20MM NON BOOST NEUTRON



ITEM	DESCRIPTION	QTY
1	CAP (L-ID20 OD24)	1
2	BEARING (61805)	2
3	HUB SHELL	1
4	AXLE	1
5	CAP (R-ID20 OD24)	1

SPARE PARTS AND CONVERSION KITS

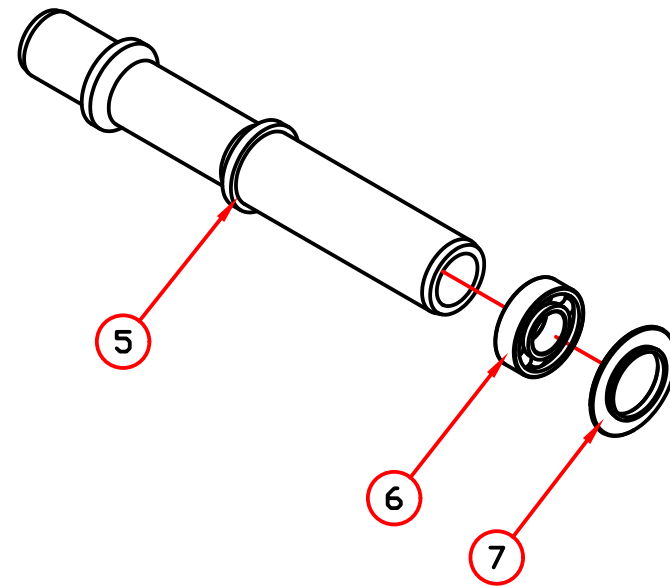
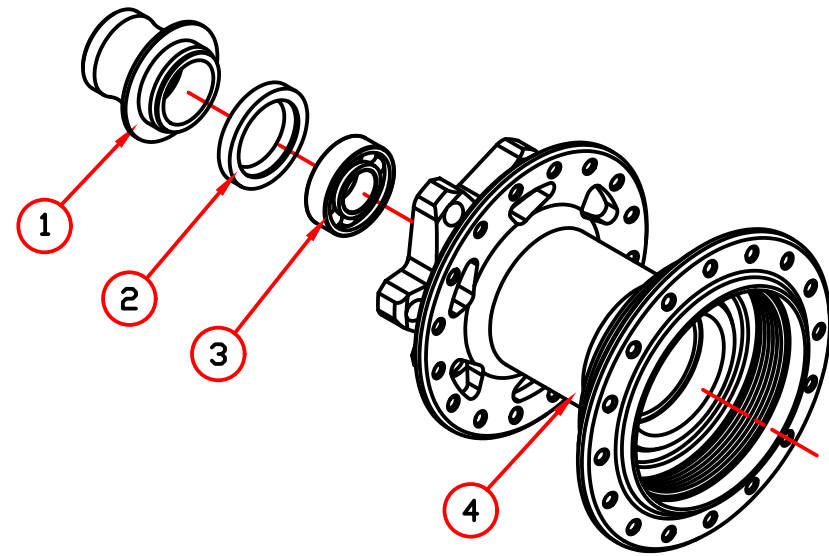
DIAGRAM PART NUMBERS	NUKEPROOF PART NUMBER	KIT NAME
1	NUKNEUV2F20CAPS	20MM END CAPS
1	NUKNEUV2END2015NB	FRONT 20MM TO 15MM NON BOOST CONVERSION
2	NUKHORV261805P	61805 BEARINGS - PAIR

HUB DIMENSIONS

LEFT FLANGE Ø(PCD)	RIGHT FLANGE Ø(PCD)	CENTER TO LEFT FLANGE	CENTER TO RIGHT FLANGE	SPOKE HOLE Ø	OFFSET	FLANGE TO FLANGE
58	58	29.05	35.95	2.6	3.45	65



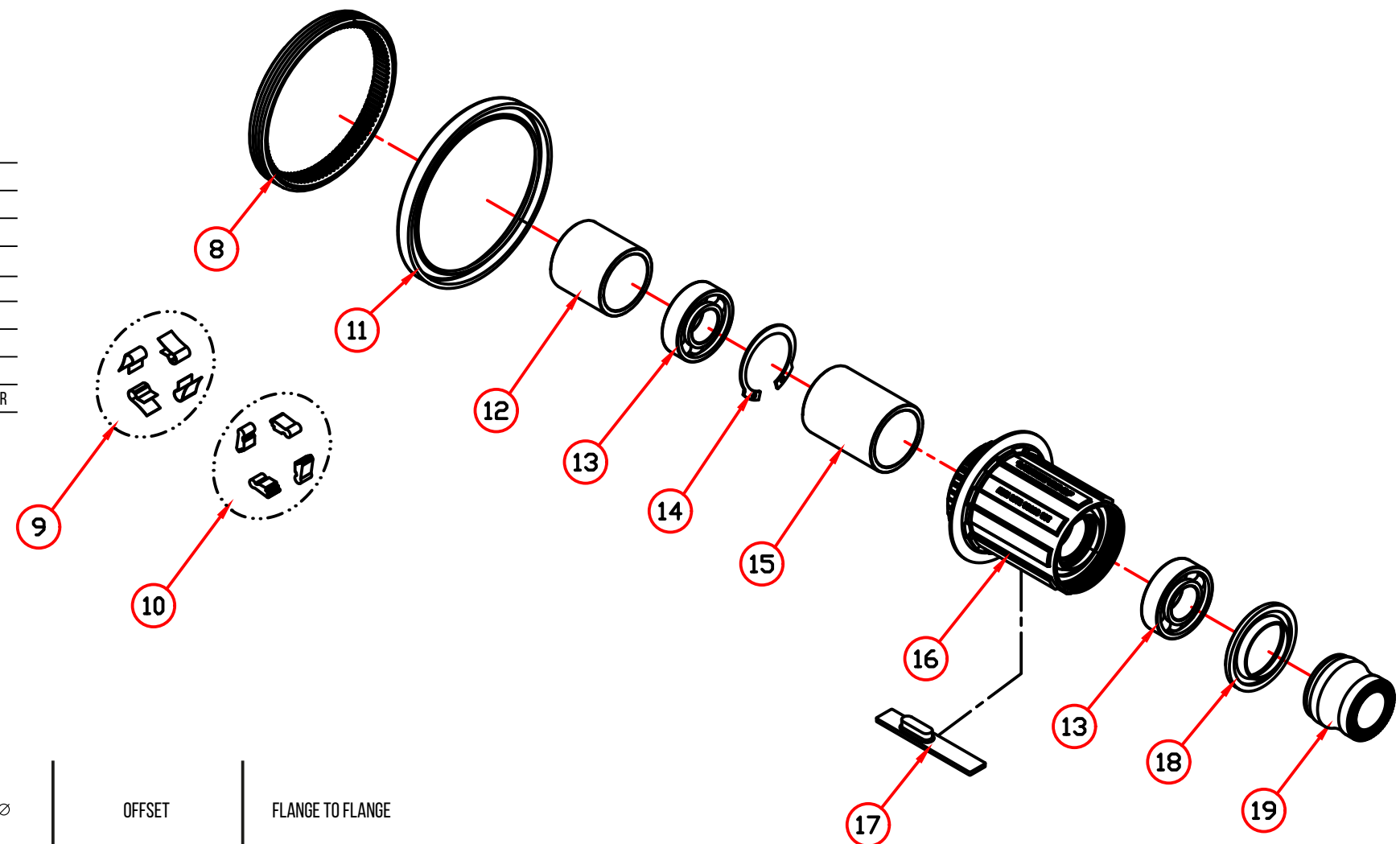
142MM SHIMANO HG NEUTRON



ITEM	DESCRIPTION	QTY
1	CAP (ID12-L-142w)	1
2	INTERNAL SEAL	1
3	BEARING (6902)	1
4	HUB SHELL	1
5	AXLE	1
6	BEARING (6903)	1
7	WASHER	1
8	RATCHET RING	1
9	SPRING	1
10	PAWL	4
11	INTERNAL SEAL	1
12	BUSHING	1
13	BEARING (17287)	2
14	CIRCLIP	1
15	BUSHING	1
16	CASSETTE BODY	1
17	ANTI-BITE	1
18	INTERNAL SEAL	1
19	CAP (ID12-R-142w)	1

SPARE PARTS AND CONVERSION KITS

DIAGRAM PART NUMBERS	NUKEPROOF PART NUMBER	KIT NAME
1,19	NUKNEUV2R135CAPS	NEUTRON V2 END CAPS 135MM QR
1,19	NUKNEUV2R148CAPS	NEUTRON V2 END CAPS 142MM
2	NUKNDHUBSEAL	NEUTRON V2 NON DRIVE HUB SEAL
3	NUKHORV2B6902	ENDURO 6902 ABEC 5 HUB BEARING
5	NUKNEUV2142AXLE	NEUTRON V2 142MM REAR AXLE
6	NUKHORV2B6903	ENDURO 6903 ABEC 5 HUB BEARING
7,9,10	NUKNEUV2PSGOLD	NEUTRON V2 PAWLS & SPRINGS
13	NUKHORV2B17287	ENDURO 17287 ABEC 5 HUB BEARING
9,10,11,12,13,14,15,16,17,18	NUKNEUV236TFHHG	NEUTRON V2 FREEHUB BODY 36T SHIMANO HG INC 1.85MM SPACER
N/A	NUKNEUV236TFHXD	NEUTRON V2 FREEHUB BODY 36T XD

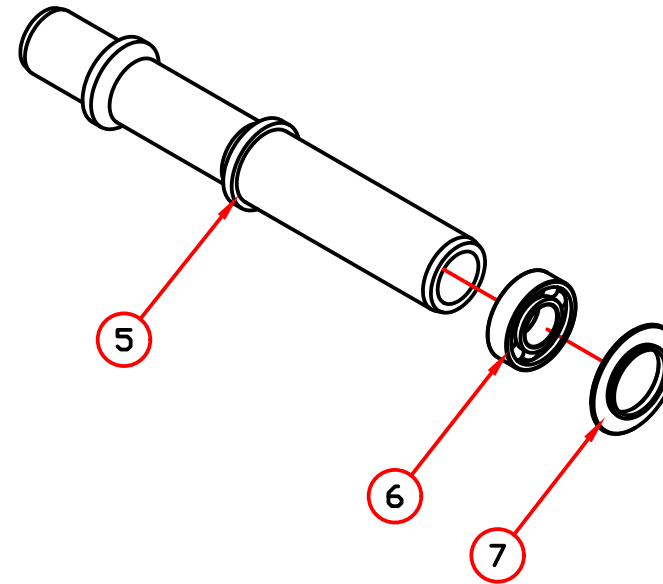
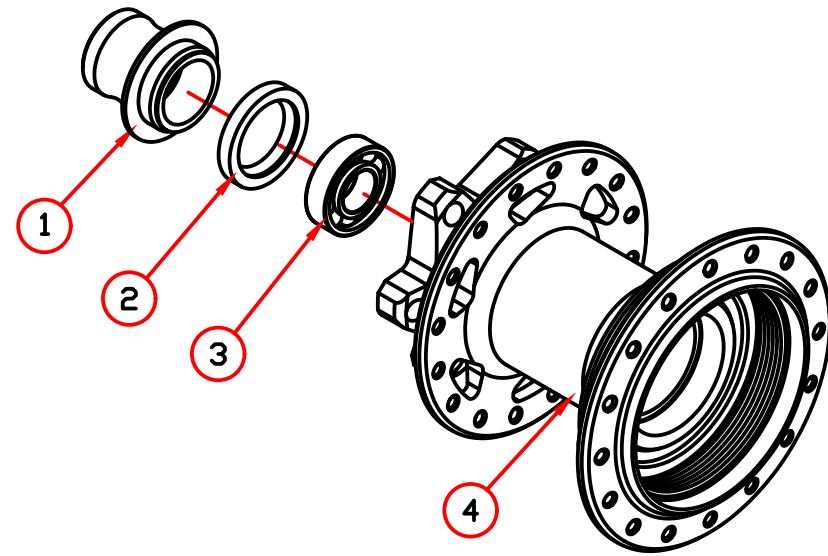


HUB DIMENSIONS

LEFT FLANGE Ø(PCD)	RIGHT FLANGE Ø(PCD)	CENTER TO LEFT FLANGE	CENTER TO RIGHT FLANGE	SPOKE HOLE Ø	OFFSET	FLANGE TO FLANGE
58	58	18.45	36.05	2.6	8.8	54.5



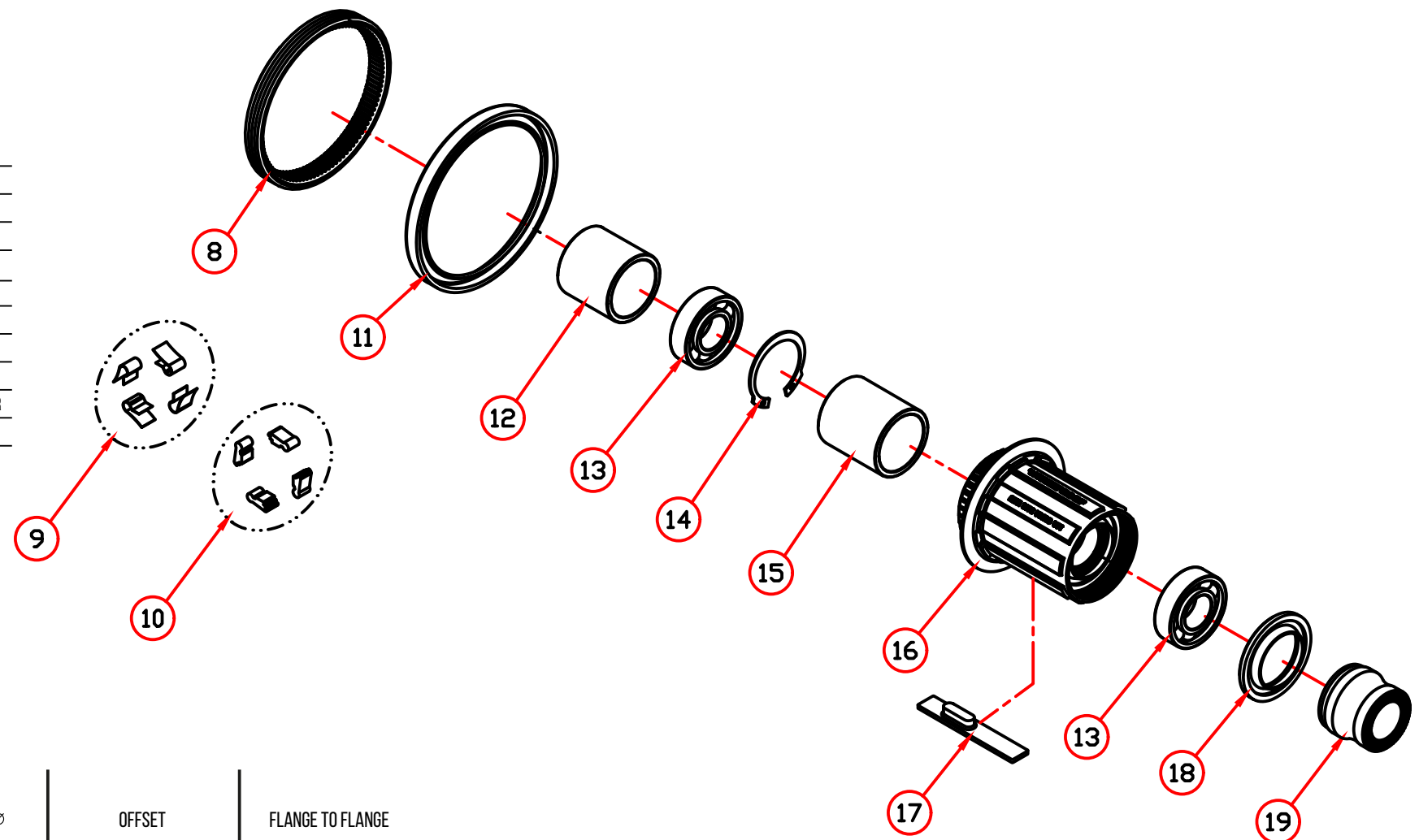
148MM SHIMANO HG NEUTRON



ITEM	DESCRIPTION	QTY
1	CAP (ID12-L-142w)	1
2	INTERNAL SEAL	1
3	BEARING (6902)	1
4	HUB SHELL	1
5	AXLE	1
6	BEARING (6903)	1
7	WASHER	1
8	RATCHET RING	1
9	SPRING	4
10	PAWL	4
11	INTERNAL SEAL	1
12	BUSHING	1
13	BEARING (17287)	2
14	CIRCLIP	1
15	BUSHING	1
16	CASSETTE BODY	1
17	ANTI-BITE	1
18	INTERNAL SEAL	1
19	CAP (ID12-R-142w)	1

SPARE PARTS AND CONVERSION KITS

DIAGRAM PART NUMBERS	NUKEPROOF PART NUMBER	KIT NAME
1,19	NUKNEUV2R141CAPS	NEUTRON V2 END CAPS 141MM QR BOOST
1,19	NUKNEUV2R148CAPS	NEUTRON V2 END CAPS 148MM
2	NUKNDHUBSEAL	NEUTRON V2 NON DRIVE HUB SEAL
3	NUKHORV2B6902	ENDURO 6902 ABEC 5 HUB BEARING
5	NUKNEUV2142AXLE	NEUTRON V2 148MM REAR AXLE
6	NUKHORV2B6903	ENDURO 6903 ABEC 5 HUB BEARING
7,9,10	NUKNEUV2PSGOLD	NEUTRON V2 PAWLS & SPRINGS
13	NUKHORV2B17287	ENDURO 17287 ABEC 5 HUB BEARING
9,10,11,12,13,14,15,16,17,18	NUKNEUV236TFHHG	NEUTRON V2 FREEHUB BODY 36T SHIMANO HG INC 1.85MM SPACER
N/A	NUKNEUV236TFHXD	NEUTRON V2 FREEHUB BODY 36T XD
N/A	NUKNEUV236TMSCONV	NEUTRON V2 MICROSPLINE CONVERSION KIT

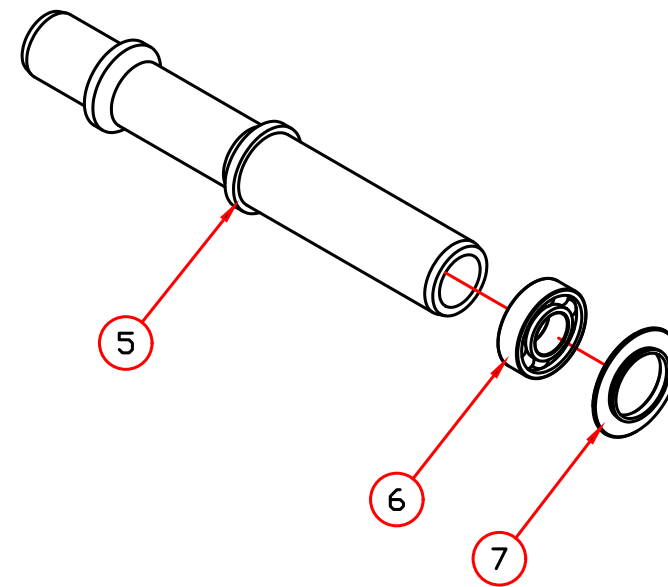
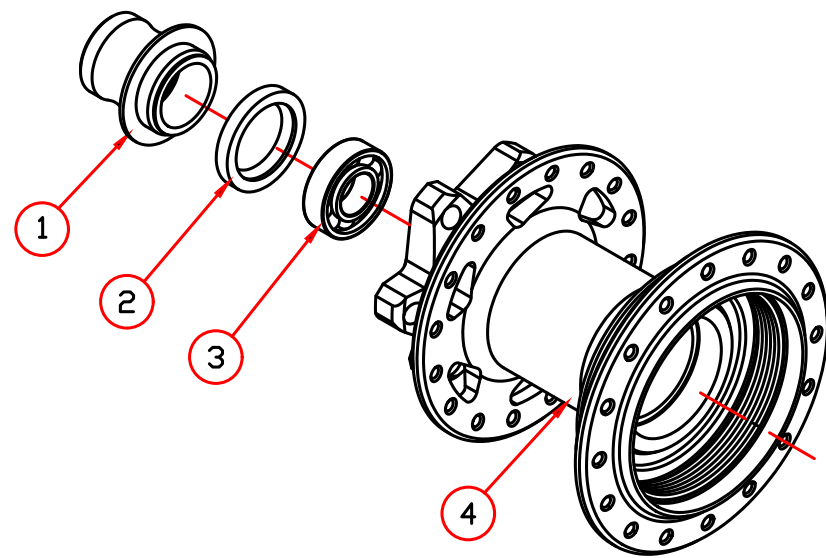


HUB DIMENSIONS

LEFT FLANGE Ø(PCD)	RIGHT FLANGE Ø(PCD)	CENTER TO LEFT FLANGE	CENTER TO RIGHT FLANGE	SPOKE HOLE Ø	OFFSET	FLANGE TO FLANGE
58	58	21.45	39.05	2.6	8.8	60.5



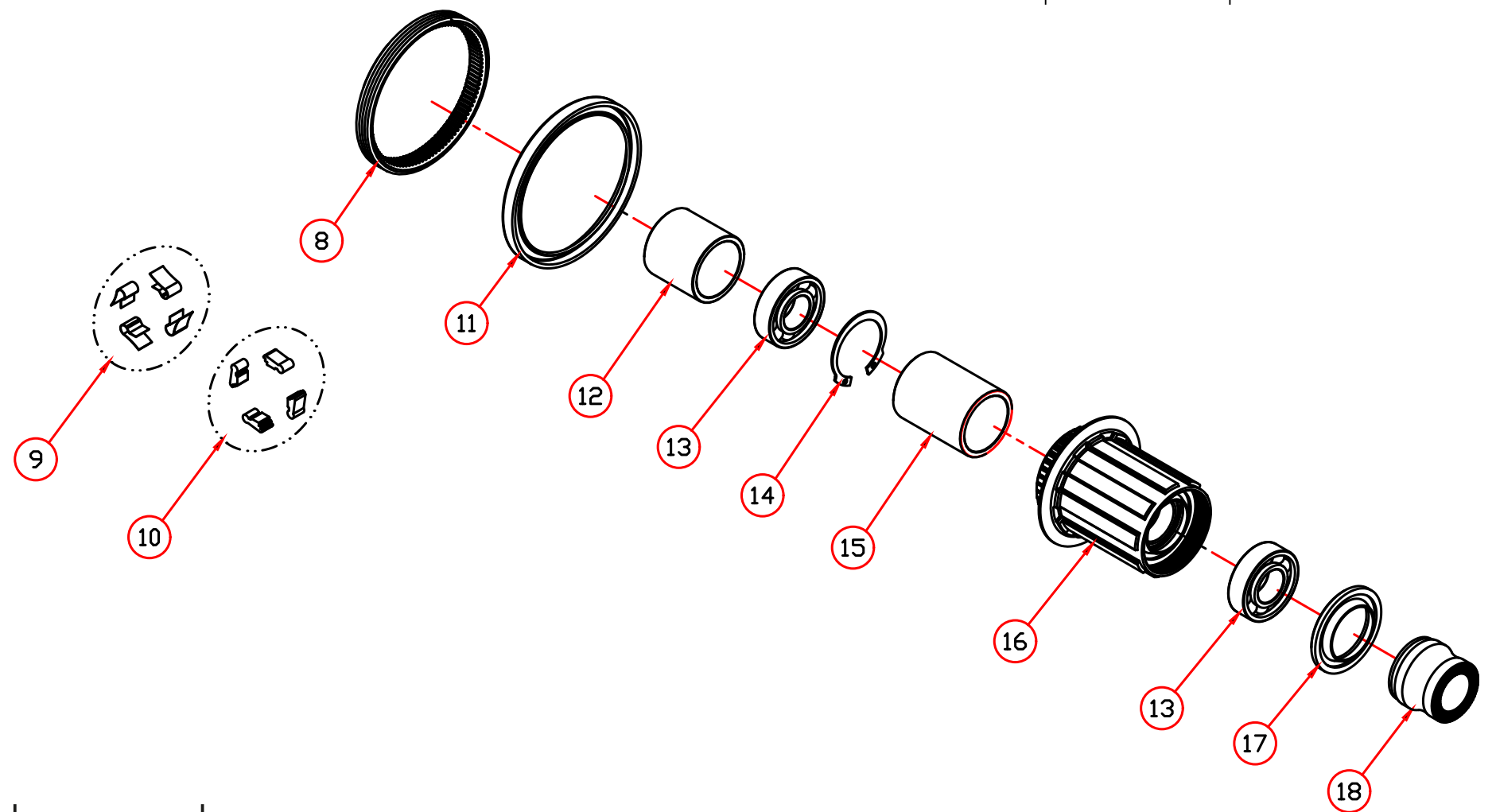
150MM SHIMANO HG NEUTRON



ITEM	DESCRIPTION	QTY
1	CAP (ID12-L-142w)	1
2	INTERNAL SEAL	1
3	BEARING (6902)	1
4	HUB SHELL	1
5	AXLE	1
6	BEARING (6903)	1
7	WASHER	1
8	RATCHET RING	1
9	SPRING	4
10	PAWL	4
11	INTERNAL SEAL	1
12	BUSHING	1
13	BEARING (17287)	2
14	CIRCLIP	1
15	BUSHING	1
16	CASSETTE BODY	1
17	INTERNAL SEAL	1
18	CAP (ID12-R-142w)	1

SPARE PARTS AND CONVERSION KITS

DIAGRAM PART NUMBERS	NUKEPROOF PART NUMBER	KIT NAME
1,18	NUKNEUV2R150CAPS	NEUTRON V2 END CAPS 150MM
1,18	NUKNEUV2R148CAPS	NEUTRON V2 END CAPS 157MM
2	NUKNDHUBSEAL	NEUTRON V2 NON DRIVE HUB SEAL
3	NUKHORV2B6902	ENDURO 6902 ABEC 5 HUB BEARING
5	NUKNEUV2150AXLE	NEUTRON V2 150MM REAR AXLE
6	NUKHORV2B6903	ENDURO 6903 ABEC 5 HUB BEARING
7,9,10	NUKNEUV2PSGOLD	NEUTRON V2 PAWLS & SPRINGS
13	NUKHORV2B17287	ENDURO 17287 ABEC 5 HUB BEARING
9,10,11,12,13,14,15,16,17,18	NUKNEUV236TFHHG	NEUTRON V2 FREEHUB BODY 36T SHIMANO HG INC 1.85MM SPACER
N/A	NUKNEUV236TFHXD	NEUTRON V2 FREEHUB BODY 36T XD

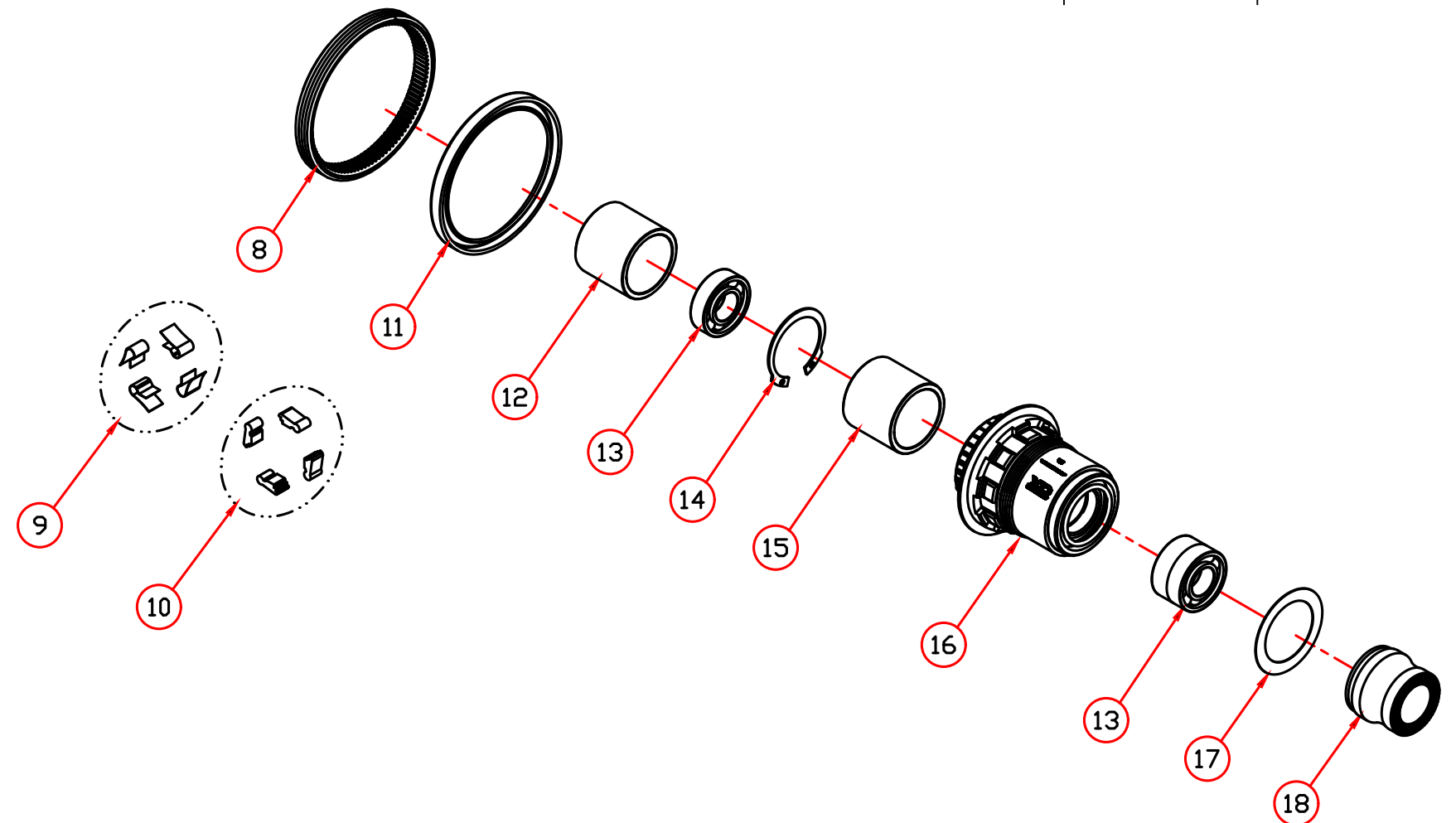
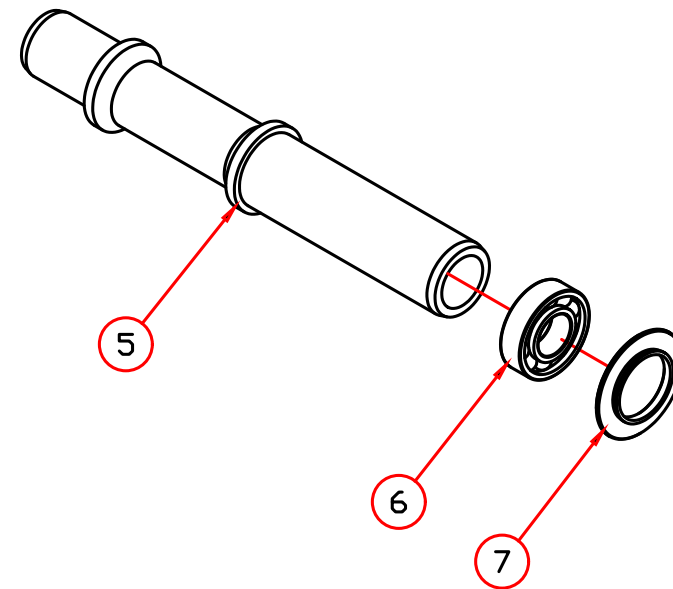
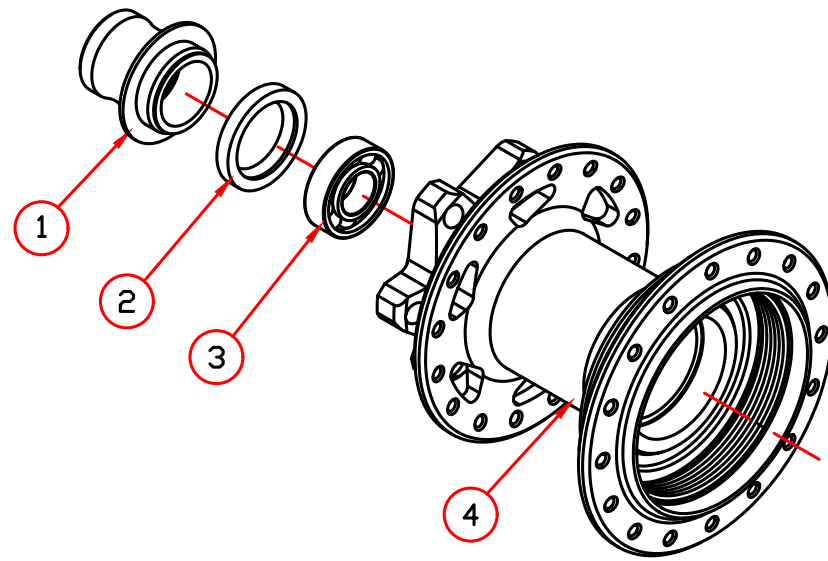


HUB DIMENSIONS

LEFT FLANGE Ø(PCD)	RIGHT FLANGE Ø(PCD)	CENTER TO LEFT FLANGE	CENTER TO RIGHT FLANGE	SPOKE HOLE Ø	OFFSET	FLANGE TO FLANGE
58	58	25.95	43.55	2.6	8.8	69.5



148MM SRAM XD NEUTRON



ITEM	DESCRIPTION	QTY
1	CAP (ID12-L-142w)	1
2	INTERNAL SEAL	1
3	BEARING (6902)	1
4	HUB SHELL	1
5	AXLE	1
6	BEARING (6903)	1
7	WASHER	1
8	RATCHET RING	1
9	SPRING	4
10	PAWL	4
11	INTERNAL SEAL	1
12	BUSHING	1
13	BEARING (6803)	3
14	CIRCLIP	1
15	BUSHING	1
16	CASSETTE BODY	1
17	WASHER	1
18	CAP (ID12-R-142w)	1

SPARE PARTS AND CONVERSION KITS

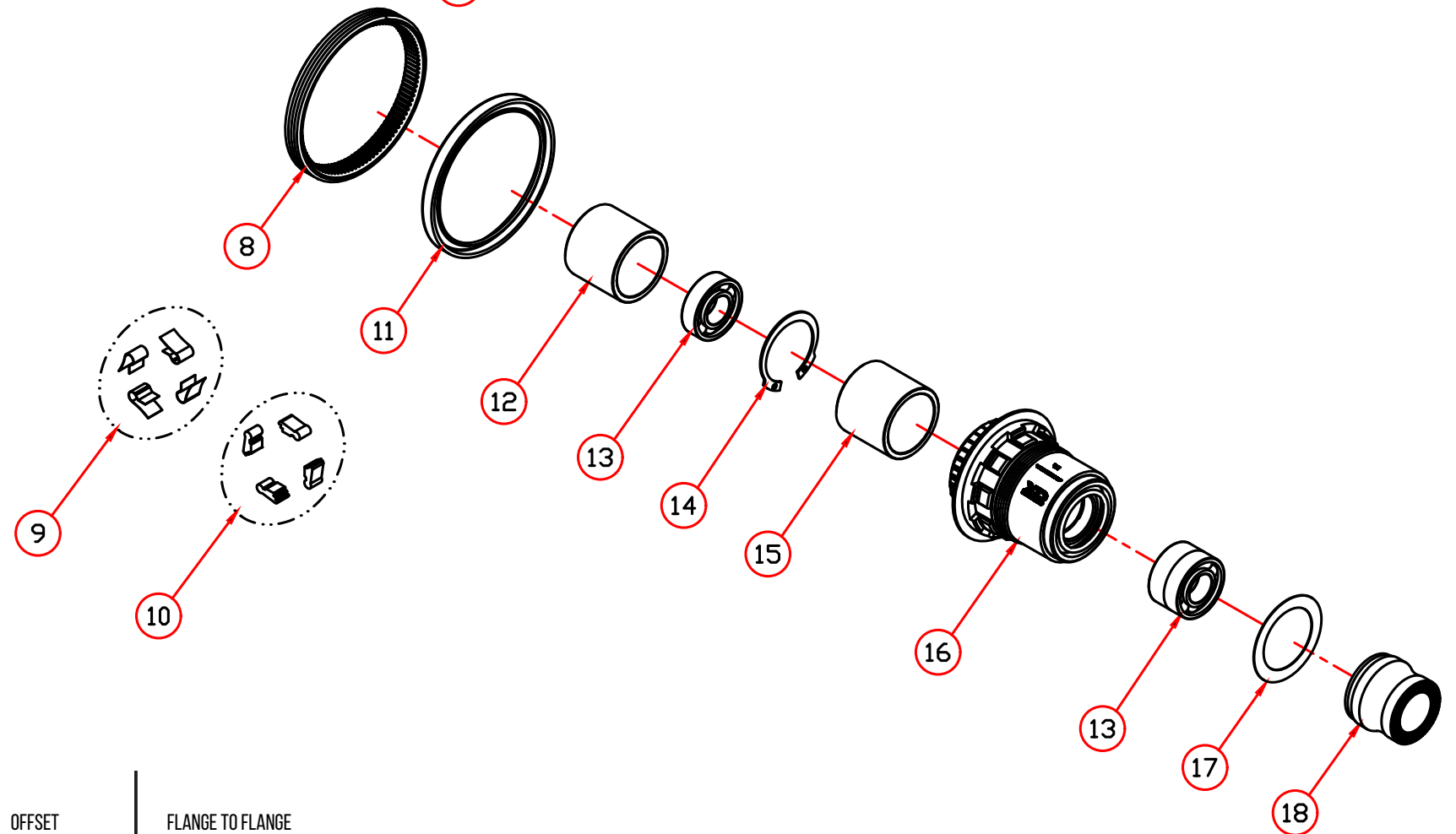
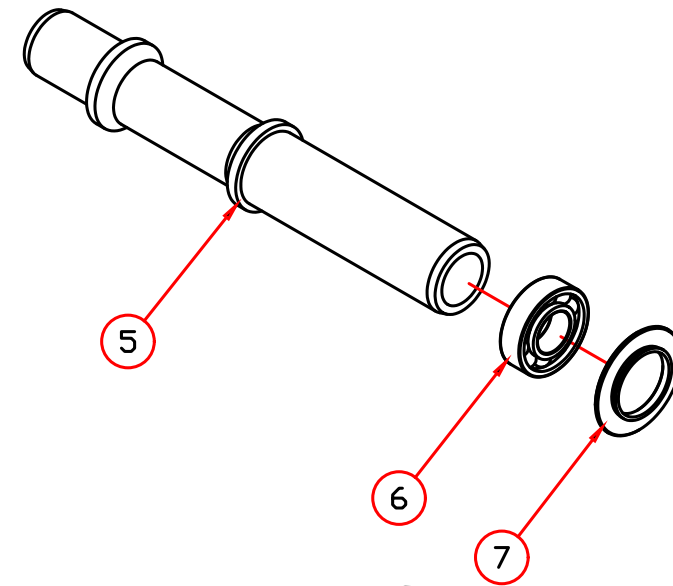
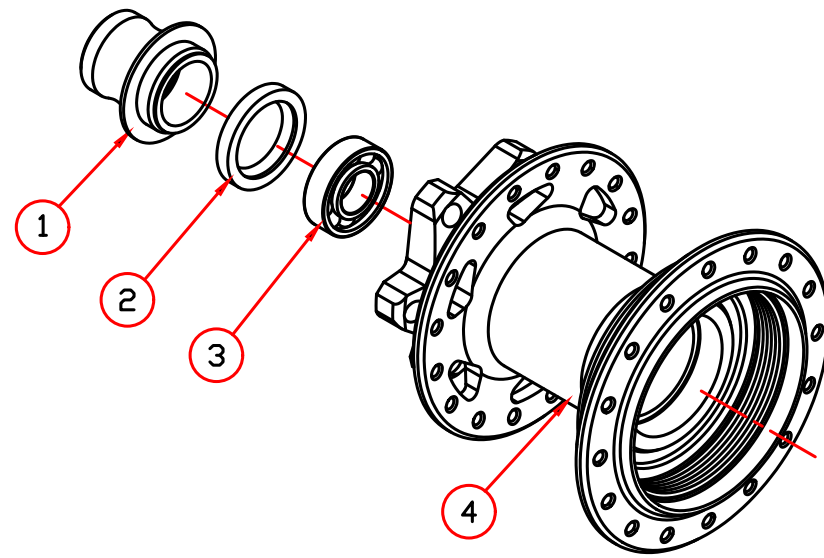
DIAGRAM PART NUMBERS	NUKEPROOF PART NUMBER	KIT NAME
1,18	NUKNEUV2R141CAPS	NEUTRON V2 END CAPS 141MM QR BOOST
1,18	NUKNEUV2R148CAPS	NEUTRON V2 END CAPS 148MM
2	NUKNDHUBSEAL	NEUTRON V2 NON DRIVE HUB SEAL
3	NUKHORV2B6902	ENDURO 6902 ABEC 5 HUB BEARING
5	NUKNEUV2148HGXDAXLE	NEUTRON V2 HG / XD 148MM AXLE
6	NUKHORV2B6903	ENDURO 6903 ABEC 5 HUB BEARING
7,9,10	NUKNEUV2PSGOLD	NEUTRON V2 PAWLS & SPRINGS
13	NUKHORV2B6803	ENDURO 6803 ABEC 5 HUB BEARING
9,10,11,12,13,14,15,16,17,18	NUKNEUV236TFHXD	NEUTRON V2 FREEHUB BODY 36T XD
N/A	NUKNEUV236TFHHG	NEUTRON V2 FREEHUB BODY 36T SHIMANO HG INC 1.85MM SPACER
N/A	NUKNEUV236TMSCONV	NEUTRON V2 MICROSPLINE CONVERSION KIT

HUB DIMENSIONS

LEFT FLANGE Ø(PCD)	RIGHT FLANGE Ø(PCD)	CENTER TO LEFT FLANGE	CENTER TO RIGHT FLANGE	SPOKE HOLE Ø	OFFSET	FLANGE TO FLANGE
58	58	21.45	39.05	2.6	8.8	60.5



150MM SRAM XD NEUTRON



ITEM	DESCRIPTION	QTY
1	CAP (ID12-L-142w)	1
2	INTERNAL SEAL	1
3	BEARING (6902)	1
4	HUB SHELL	1
5	AXLE	1
6	BEARING (6903)	1
7	WASHER	1
8	RATCHET RING	1
9	SPRING	4
10	PAWL	4
11	INTERNAL SEAL	1
12	BUSHING	1
13	BEARING (6803)	3
14	CIRCLIP	1
15	BUSHING	1
16	CASSETTE BODY	1
17	WASHER	1
18	CAP (ID12-R-142w)	1

SPARE PARTS AND CONVERSION KITS

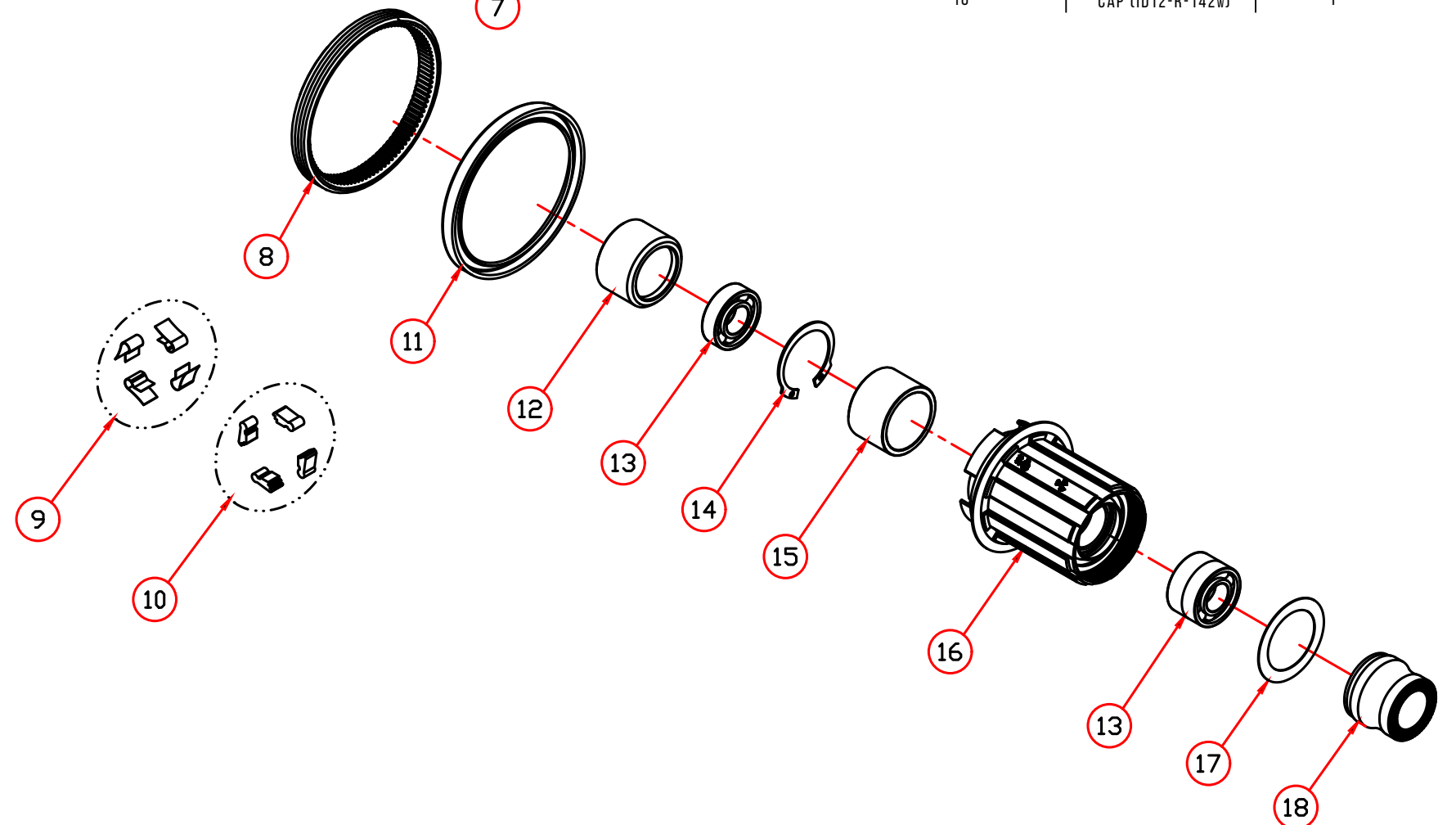
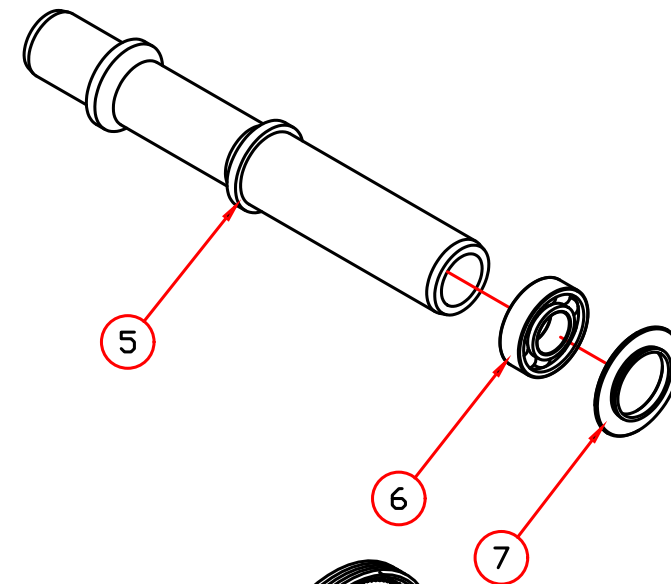
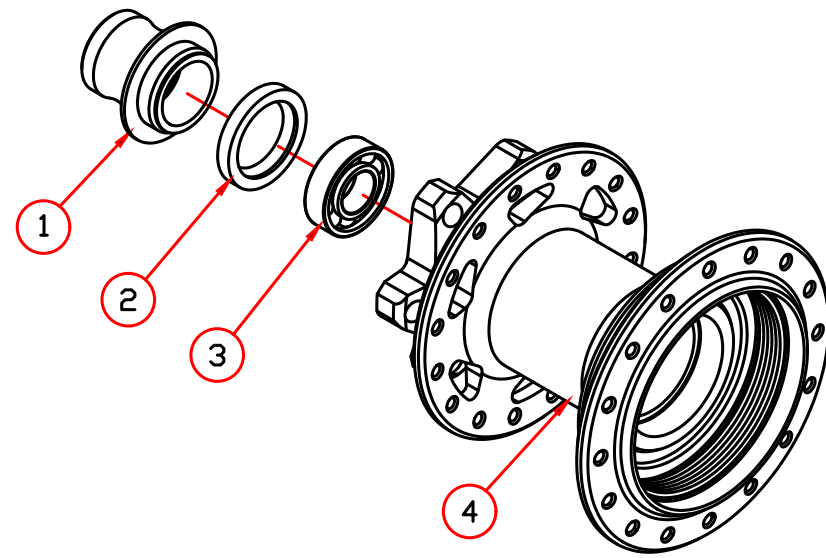
DIAGRAM PART NUMBERS	NUKEPROOF PART NUMBER	KIT NAME
1,18	NUKNEUV2R150CAPS	NEUTRON V2 END CAPS 150MM
1,18	NUKNEUV2R148CAPS	NEUTRON V2 END CAPS 157MM
2	NUKNDHUBSEAL	NEUTRON V2 NON DRIVE HUB SEAL
3	NUKHORV2B6902	ENDURO 6902 ABEC 5 HUB BEARING
5	NUKNEUV2150AXLE	NEUTRON V2 150MM REAR AXLE
6	NUKHORV2B6903	ENDURO 6903 ABEC 5 HUB BEARING
7,9,10	NUKNEUV2PSGOLD	NEUTRON V2 PAWLS & SPRINGS
13	NUKHORV2B6803	ENDURO 6803 ABEC 5 HUB BEARING
9,10,11,12,13,14,15,16,17,18	NUKNEUV236TFHXD	NEUTRON V2 FREEHUB BODY 36T XD
N/A	NUKNEUV236TFHHG	NEUTRON V2 FREEHUB BODY 36T SHIMANO HG INC 1.85MM SPACER

HUB DIMENSIONS

LEFT FLANGE Ø(PCD)	RIGHT FLANGE Ø(PCD)	CENTER TO LEFT FLANGE	CENTER TO RIGHT FLANGE	SPOKE HOLE Ø	OFFSET	FLANGE TO FLANGE
58	58	22.95	43.55	2.6	8.8	69.5



148MM SHIMANO MICROSPLINE NEUTRON



ITEM	DESCRIPTION	QTY
1	CAP (ID12-L-142w)	1
2	INTERNAL SEAL	1
3	BEARING (6902)	1
4	HUB SHELL	1
5	AXLE	1
6	BEARING (6903)	1
7	WASHER	1
8	RATCHET RING	1
9	SPRING	4
10	PAWL	4
11	INTERNAL SEAL	1
12	BUSHING	1
13	BEARING (6803)	3
14	CIRCLIP	1
15	BUSHING	1
16	CASSETTE BODY	1
17	INTERNAL SEAL	1
18	CAP (ID12-R-142w)	1

SPARE PARTS AND CONVERSION KITS

DIAGRAM PART NUMBERS	NUKEPROOF PART NUMBER	KIT NAME
2	NUKNDHUBSEAL	NEUTRON V2 END CAPS 150MM
3	NUKHORV2B6902	NEUTRON V2 END CAPS 157MM
5	NUKNEUV2148MSAXLE	NEUTRON V2 NON DRIVE HUB SEAL
6	NUKHORV2B6903	ENDURO 6902 ABEC 5 HUB BEARING
7,9,10	NUKNEUV2PSGOLD	NEUTRON V2 150MM REAR AXLE
13	NUKHORV2B6802	ENDURO 6903 ABEC 5 HUB BEARING
9,10,11,12,13,14,15,16,17,18	NUKNEUV236TFHMS	NEUTRON V2 PAWLS & SPRINGS

TO CONVERT A MICROSPLINE HUB TO SHIMANO HG OR SRAM XD YOU WILL NEED FREEHUB, AXLE AND END CAPS

NUKNEUV236TFHHG WITH	NEUTRON V2 FREEHUB BODY 36T SHIMANO HG INC 1.85MM SPACER
NUKNEUV2148HGXDAXLE AND	NEUTRON V2 HG / XD 148MM AXLE
NUKNEUV2R148CAPS	NEUTRON V2 END CAPS 148MM

HUB DIMENSIONS

LEFT FLANGE Ø(PCD)	RIGHT FLANGE Ø(PCD)	CENTER TO LEFT FLANGE	CENTER TO RIGHT FLANGE	SPOKE HOLE Ø	OFFSET	FLANGE TO FLANGE
58	58	21.45	39.05	2.6	8.8	60.5



NEUTRON V2 SPOKE LENGTHS AND ERD

NUKEPROOF PART NUMBER	WHEEL	WHEEL SIZE	HUB SPACING	NON DRIVE SIDE SPOKE LENGTH	DRIVESIDE SPOKE LENGTH
NUKNEUV215NB275	NEUTRON V2 FRONT WHEEL	27.5"	15X100MM NON BOOST	272	273
NUKNEUV215B275	NEUTRON V2 FRONT WHEEL	27.5"	15X110MM BOOST	272	273
NUKNEUV220NB275	NEUTRON V2 FRONT WHEEL	27.5"	20X110MM NON BOOST	272	273
NUKNEUV220B275	NEUTRON V2 FRONT WHEEL	27.5"	20X110MM BOOST	272	273
NUKNEUV2275142HG	NEUTRON V2 REAR WHEEL 102T	27.5"	142MM X 12MM HG	274	272
NUKHORV2275148HG	NEUTRON V2 REAR WHEEL 102T	27.5"	148MM X 12MM HG	274	272
NUKHORV2275148XD	NEUTRON V2 REAR WHEEL 102T	27.5"	148MM X 12MM XD	274	272
NUKHORV2275148MS	NEUTRON V2 REAR WHEEL 102T	27.5"	148MM X 12MM MS	274	272
NUKHORV2275150HG	NEUTRON V2 REAR WHEEL 102T	27.5"	150/157MM X 12MM HG	274	273
NUKHORV2275150XD	NEUTRON V2 REAR WHEEL 102T	27.5"	150/157MM X 12MM XD	274	273
NUKHORV215NB29	NEUTRON V2 FRONT WHEEL	29"	15X100MM NON BOOST	291	292
NUKHORV215B29	NEUTRON V2 FRONT WHEEL	29"	15X110MM BOOST	291	292
NUKHORV220NB29	NEUTRON V2 FRONT WHEEL	29"	20X110MM NON BOOST	291	292
NUKHORV220B29	NEUTRON V2 FRONT WHEEL	29"	20X110MM BOOST	291	292
NUKHORV229142HG	NEUTRON V2 REAR WHEEL 102T	29"	142MM X 12MM XD	292	290
NUKHORV229148HG	NEUTRON V2 REAR WHEEL 102T	29"	148MM X 12MM HG	292	290
NUKHORV229148XD	NEUTRON V2 REAR WHEEL 102T	29"	148MM X 12MM XD	292	290
NUKHORV229148MS	NEUTRON V2 REAR WHEEL 102T	29"	148MM X 12MM MS	292	290
NUKHORV229150HG	NEUTRON V2 REAR WHEEL 102T	29"	150/157MM X 12MM HG	292	291
NUKHORV229150XD	NEUTRON V2 REAR WHEEL 102T	29"	150/157MM X 12MM XD	292	291

WHEEL	RIM	ERD
NEUTRON V2 RIM	27.5"	560.9
NEUTRON V2 RIM	29"	598.9



NUKEPROOF

WWW.NUKEPROOF.COM

MAXXIS

NUKEPROOF